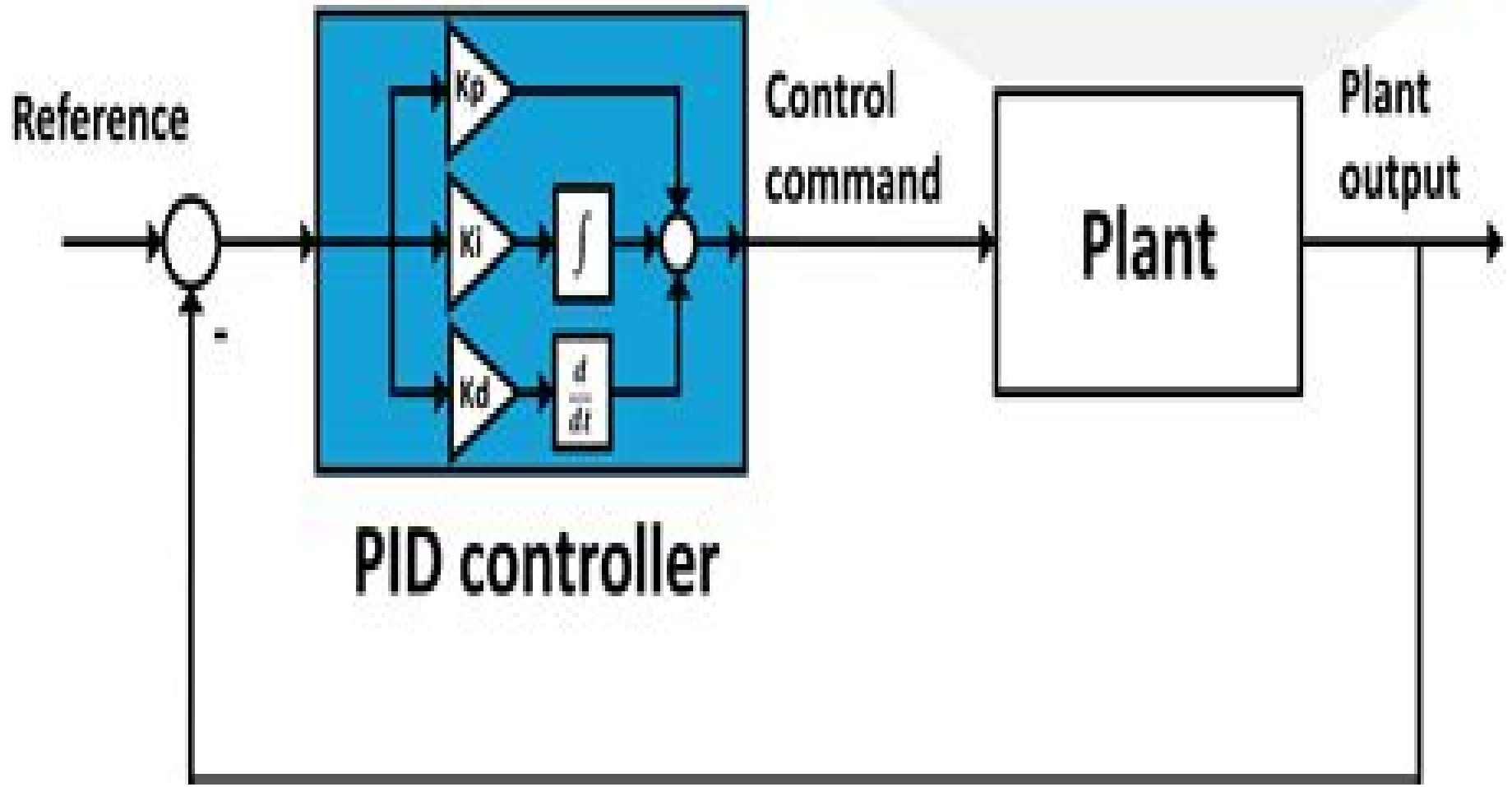


Example



Pid Control Of Dynamic Systems

William S. Levine



Pid Control Of Dynamic Systems:

Fractional-order Modeling and Control of Dynamic Systems Aleksei Tepljakov,2017-02-08 This book reports on an outstanding research devoted to modeling and control of dynamic systems using fractional order calculus It describes the development of model based control design methods for systems described by fractional dynamic models More than 300 years had passed since Newton and Leibniz developed a set of mathematical tools we now know as calculus Ever since then the idea of non integer derivatives and integrals universally referred to as fractional calculus has been of interest to many researchers However due to various issues the usage of fractional order models in real life applications was limited Advances in modern computer science made it possible to apply efficient numerical methods to the computation of fractional derivatives and integrals This book describes novel methods developed by the author for fractional modeling and control together with their successful application in real world process control scenarios [The Control Handbook](#) William S. Levine,1996-02-23 This is the biggest most comprehensive and most prestigious compilation of articles on control systems imaginable Every aspect of control is expertly covered from the mathematical foundations to applications in robot and manipulator control Never before has such a massive amount of authoritative detailed accurate and well organized information been available in a single volume Absolutely everyone working in any aspect of systems and controls must have this book **PID Control** Finn Haugen,2004 This book gives an easily understandable introduction to practical and theoretical aspects of PID control of dynamic systems Also covered are more advanced control structures based on the PID controller as cascade control ration control and multivariable control The book is well suited for introductory control courses in B Sc and in M Sc studies It is also a reference for the practical engineer **Control Systems Theory with Engineering Applications** Sergey E. Lyshevski,2001-06-21 Dynamics systems living organisms electromechanical and industrial systems chemical and technological processes market and ecology and so forth can be considered and analyzed using information and systems theories For example adaptive human behavior can be studied using automatic feedback control As an illustrative example the driver controls a car changing the speed and steering wheels using incoming information such as traffic and road conditions This book focuses on the most important and manageable topics in applied multivariable control with application to a wide class of electromechanical dynamic systems A large spectrum of systems familiar to electrical mechanical and aerospace students engineers and scholars are thoroughly studied to build the bridge between theory and practice as well as to illustrate the practical application of control theory through illustrative examples It is the author's goal to write a book that can be used to teach undergraduate and graduate classes in automatic control and nonlinear control at electrical mechanical and aerospace engineering departments The book is also addressed to engineers and scholars and the examples considered allow one to implement the theory in a great variety of industrial systems The main purpose of this book is to help the reader grasp the nature and significance of multivariable control **Feedback Control of Dynamic Systems**

Gene F. Franklin, J. David Powell, Abbas Emami-Naeini, 1994 Emphasizing modern topics and techniques this text blends theory and real world practice mixes design and analysis introduces design early and represents physically what occurs mathematically in feedback control of dynamic systems Highlights of the book include realistic problems and examples from a wide range of application areas New to this edition are much sharper pedagogy an increase in the number of examples more thorough development of the concepts a greater range of homework problems a greater number and variety of worked out examples expanded coverage of dynamics modelling and Laplace transform topics and integration of MATLAB including many examples that are formatted in MATLAB

Reachable Sets of Dynamic Systems Stanislaw Raczynski, 2023-04-21 Reachable Sets of Dynamic Systems Uncertainty Sensitivity and Complex Dynamics introduces differential inclusions providing an overview as well as multiple examples of its interdisciplinary applications The design of dynamic systems of any type is an important issue as is the influence of uncertainty in model parameters and model sensitivity The possibility of calculating the reachable sets may be a powerful additional tool in such tasks This book can help graduate students researchers and engineers working in the field of computer simulation and model building in the calculation of reachable sets of dynamic models Introduces methodologies and approaches to the modeling and simulation of dynamic systems Presents uncertainty treatment and model sensitivity are described and interdisciplinary examples Explores applications of differential inclusions in modeling and simulation

Modeling, Analysis, and Control of Dynamic Systems William John Palm, 1983-01-28 An integrated presentation of both classical and modern methods of systems modeling response and control Includes coverage of digital control systems Details sample data systems and digital control Provides numerical methods for the solution of differential equations Gives in depth information on the modeling of physical systems and central hardware

Proceedings of the ASME Dynamic Systems and Control Division, 1996

Journal of Dynamic Systems, Measurement, and Control, 2003 Publishes theoretical and applied original papers in dynamic systems Theoretical papers present new theoretical developments and knowledge for controls of dynamical systems together with clear engineering motivation for the new theory Applied papers include modeling simulation and corroboration of theory with emphasis on demonstrated practicality

Proceedings of the ASME Dynamic Systems and Control Division--2003, 2003

Functional Manufacturing Technologies and Ceeusro II Long Chen, Yong Kang Zhang, Ai Xin Feng, Zhenying Xu, Bo Quan Li, Han Shen, 2011-01-20 Selected peer reviewed papers of the 4th International Conference on Engineering Technologies and Ceeusro 2011 2011 Zhenjiang Jiangsu China

Control and Dynamic Systems Yasundo Takahashi, Michael Jerome Rabins, David M. Auslander, 1970

Advanced Research on Intelligent System, Mechanical Design Engineering and Information Engineering III Helen Zhang, David Jin, X.J. Zhao, 2014-05-28 Selected peer reviewed papers from the 2014 3rd International Conference on Intelligent Materials and Mechanical Engineering MEE 2014 May 24 25 2014 Guangzhou China

Dynamic Systems, Simulation, and Control I. I. Esat, S. W. E. Earles, Atila Ertas, 1994

Process Control Béla G.

Lipták,2013-10-02 Instrument Engineers Handbook Third Edition Process Control provides information pertinent to control hardware including transmitters controllers control valves displays and computer systems This book presents the control theory and shows how the unit processes of distillation and chemical reaction should be controlled Organized into eight chapters this edition begins with an overview of the method needed for the state of the art practice of process control This text then examines the relative merits of digital and analog displays and computers Other chapters consider the basic industrial annunciators and other alarm systems which consist of multiple individual alarm points that are connected to a trouble contact a logic module and a visual indicator This book discusses as well the data loggers available for process control applications The final chapter deals with the various pump control systems the features and designs of variable speed drives and the metering pumps This book is a valuable resource for engineers 11th Euromicro Workshop on Real-Time Systems ,1999 **Instrument Engineers' Handbook,(Volume 2) Third Edition** Bela G. Liptak,1995-05-15 This third edition of the Instrument Engineers Handbook most complete and respected work on process instrumentation and control helps you *Robust Control Design 2000 (ROCOND 2000)* Vladimír Kučera,Michael Šebek,2000 *Proceedings* ,1980 **Proceedings of the First International Conference on Web Handling, May 19-22, 1991** James K. Good,1993

Getting the books **Pid Control Of Dynamic Systems** now is not type of challenging means. You could not isolated going once books stock or library or borrowing from your connections to admittance them. This is an agreed easy means to specifically get guide by on-line. This online message Pid Control Of Dynamic Systems can be one of the options to accompany you similar to having further time.

It will not waste your time. allow me, the e-book will extremely atmosphere you extra thing to read. Just invest little epoch to read this on-line publication **Pid Control Of Dynamic Systems** as well as evaluation them wherever you are now.

https://py.bijouxmedusa.com/About/browse/fetch.php/Entrepreneurs_46_2815_Retirement_Planning_Tips_For_Entrepreneurs_46_411.pdf

Table of Contents Pid Control Of Dynamic Systems

1. Understanding the eBook Pid Control Of Dynamic Systems
 - The Rise of Digital Reading Pid Control Of Dynamic Systems
 - Advantages of eBooks Over Traditional Books
2. Identifying Pid Control Of Dynamic Systems
 - Exploring Different Genres
 - Considering Fiction vs. Non-Fiction
 - Determining Your Reading Goals
3. Choosing the Right eBook Platform
 - Popular eBook Platforms
 - Features to Look for in an Pid Control Of Dynamic Systems
 - User-Friendly Interface
4. Exploring eBook Recommendations from Pid Control Of Dynamic Systems
 - Personalized Recommendations
 - Pid Control Of Dynamic Systems User Reviews and Ratings
 - Pid Control Of Dynamic Systems and Bestseller Lists

5. Accessing Pid Control Of Dynamic Systems Free and Paid eBooks
 - Pid Control Of Dynamic Systems Public Domain eBooks
 - Pid Control Of Dynamic Systems eBook Subscription Services
 - Pid Control Of Dynamic Systems Budget-Friendly Options
6. Navigating Pid Control Of Dynamic Systems eBook Formats
 - ePub, PDF, MOBI, and More
 - Pid Control Of Dynamic Systems Compatibility with Devices
 - Pid Control Of Dynamic Systems Enhanced eBook Features
7. Enhancing Your Reading Experience
 - Adjustable Fonts and Text Sizes of Pid Control Of Dynamic Systems
 - Highlighting and Note-Taking Pid Control Of Dynamic Systems
 - Interactive Elements Pid Control Of Dynamic Systems
8. Staying Engaged with Pid Control Of Dynamic Systems
 - Joining Online Reading Communities
 - Participating in Virtual Book Clubs
 - Following Authors and Publishers Pid Control Of Dynamic Systems
9. Balancing eBooks and Physical Books Pid Control Of Dynamic Systems
 - Benefits of a Digital Library
 - Creating a Diverse Reading Collection Pid Control Of Dynamic Systems
10. Overcoming Reading Challenges
 - Dealing with Digital Eye Strain
 - Minimizing Distractions
 - Managing Screen Time
11. Cultivating a Reading Routine Pid Control Of Dynamic Systems
 - Setting Reading Goals Pid Control Of Dynamic Systems
 - Carving Out Dedicated Reading Time
12. Sourcing Reliable Information of Pid Control Of Dynamic Systems
 - Fact-Checking eBook Content of Pid Control Of Dynamic Systems
 - Distinguishing Credible Sources
13. Promoting Lifelong Learning

- Utilizing eBooks for Skill Development
 - Exploring Educational eBooks
14. Embracing eBook Trends
- Integration of Multimedia Elements
 - Interactive and Gamified eBooks

Pid Control Of Dynamic Systems Introduction

In this digital age, the convenience of accessing information at our fingertips has become a necessity. Whether its research papers, eBooks, or user manuals, PDF files have become the preferred format for sharing and reading documents. However, the cost associated with purchasing PDF files can sometimes be a barrier for many individuals and organizations. Thankfully, there are numerous websites and platforms that allow users to download free PDF files legally. In this article, we will explore some of the best platforms to download free PDFs. One of the most popular platforms to download free PDF files is Project Gutenberg. This online library offers over 60,000 free eBooks that are in the public domain. From classic literature to historical documents, Project Gutenberg provides a wide range of PDF files that can be downloaded and enjoyed on various devices. The website is user-friendly and allows users to search for specific titles or browse through different categories. Another reliable platform for downloading Pid Control Of Dynamic Systems free PDF files is Open Library. With its vast collection of over 1 million eBooks, Open Library has something for every reader. The website offers a seamless experience by providing options to borrow or download PDF files. Users simply need to create a free account to access this treasure trove of knowledge. Open Library also allows users to contribute by uploading and sharing their own PDF files, making it a collaborative platform for book enthusiasts. For those interested in academic resources, there are websites dedicated to providing free PDFs of research papers and scientific articles. One such website is Academia.edu, which allows researchers and scholars to share their work with a global audience. Users can download PDF files of research papers, theses, and dissertations covering a wide range of subjects. Academia.edu also provides a platform for discussions and networking within the academic community. When it comes to downloading Pid Control Of Dynamic Systems free PDF files of magazines, brochures, and catalogs, Issuu is a popular choice. This digital publishing platform hosts a vast collection of publications from around the world. Users can search for specific titles or explore various categories and genres. Issuu offers a seamless reading experience with its user-friendly interface and allows users to download PDF files for offline reading. Apart from dedicated platforms, search engines also play a crucial role in finding free PDF files. Google, for instance, has an advanced search feature that allows users to filter results by file type. By specifying the file type as "PDF," users can find websites that offer free PDF downloads on a specific topic. While downloading Pid Control Of Dynamic Systems free PDF files is

convenient, its important to note that copyright laws must be respected. Always ensure that the PDF files you download are legally available for free. Many authors and publishers voluntarily provide free PDF versions of their work, but its essential to be cautious and verify the authenticity of the source before downloading Pid Control Of Dynamic Systems. In conclusion, the internet offers numerous platforms and websites that allow users to download free PDF files legally. Whether its classic literature, research papers, or magazines, there is something for everyone. The platforms mentioned in this article, such as Project Gutenberg, Open Library, Academia.edu, and Issuu, provide access to a vast collection of PDF files. However, users should always be cautious and verify the legality of the source before downloading Pid Control Of Dynamic Systems any PDF files. With these platforms, the world of PDF downloads is just a click away.

FAQs About Pid Control Of Dynamic Systems Books

How do I know which eBook platform is the best for me? Finding the best eBook platform depends on your reading preferences and device compatibility. Research different platforms, read user reviews, and explore their features before making a choice. Are free eBooks of good quality? Yes, many reputable platforms offer high-quality free eBooks, including classics and public domain works. However, make sure to verify the source to ensure the eBook credibility. Can I read eBooks without an eReader? Absolutely! Most eBook platforms offer web-based readers or mobile apps that allow you to read eBooks on your computer, tablet, or smartphone. How do I avoid digital eye strain while reading eBooks? To prevent digital eye strain, take regular breaks, adjust the font size and background color, and ensure proper lighting while reading eBooks. What the advantage of interactive eBooks? Interactive eBooks incorporate multimedia elements, quizzes, and activities, enhancing the reader engagement and providing a more immersive learning experience. Pid Control Of Dynamic Systems is one of the best book in our library for free trial. We provide copy of Pid Control Of Dynamic Systems in digital format, so the resources that you find are reliable. There are also many Ebooks of related with Pid Control Of Dynamic Systems. Where to download Pid Control Of Dynamic Systems online for free? Are you looking for Pid Control Of Dynamic Systems PDF? This is definitely going to save you time and cash in something you should think about.

Find Pid Control Of Dynamic Systems :

[entrepreneurs 46-2815 retirement planning tips for entrepreneurs 46-411 organization examples for small business 46-1566 home organization 46-2879 remote work explained USA 46-2706 remote work explained USA](#)

States ~~46-1958 TikTok marketing review for creators~~ ~~46-1005 TikTok home tech roadmap America~~ ~~46-1965 smart home tech roadmap United States~~ ~~YouTube growth best practices America~~ ~~46-2034 YouTube growth best~~
minimalist lifestyle best practices for entrepreneurs ~~46-2482 minimalist startups~~ ~~46-1335 ecommerce trends case study for startups~~ ~~46-2013~~
46-1393 digital marketing blueprint for startups ~~46-2838 digital startups~~ ~~46-2571 SEO strategy tutorial for startups~~ ~~46-637 TikTok~~
~~46-1886 budget travel best practices America~~ ~~46-2873 budget travel best~~
~~46-1194 healthy recipes case study for creators~~ ~~46-1403 healthy recipes~~
America ~~46-2883 online privacy checklist America~~ ~~46-499 online privacy business~~ ~~46-2176 real estate investing tools America~~ ~~46-1218 real estate~~
~~46-621 fitness routines for beginners for small business~~ ~~46-2263 fitness~~

Pid Control Of Dynamic Systems :

try this extreme 50 fun safe experiments for the dk 2023 - Nov 29 2021

try this extreme 50 fun safe experiments for the mad - Mar 14 2023

sep 21 2017 science can be extreme let curious kids discover it for themselves in this fascinating book of hands on science experiments that takes interactivity to a whole new
safe science experiments for kids thoughtco - Dec 31 2021

try this extreme 50 fun safe experiments for the mad - Jul 06 2022

step 1 fill each petri dish with water and put a colored candy in step 2 see the colors dissolve at different rates experiment with other liquids to see how the colors behave in different

try this candy coating revealed national geographic kids - May 04 2022

let curious kids discover it for themselves in this fascinating book of hands on science experiments that takes interactivity to a whole new level weird wacky science facts and

try this try this extreme 50 fun safe experiments for the - Jan 12 2023

try this extreme 50 fun safe experiments for the mad scientist in you young karen 9781426328633 books amazon ca

try this extreme 50 fun and safe experiments for the mad - Feb 13 2023

buy try this extreme 50 fun safe experiments for the mad scientist in you by young karen romano online on amazon ae at best prices fast and free shipping free returns cash

try this extreme 50 fun and safe experiments for the mad - Sep 08 2022

buy try this extreme 50 fun safe experiments for the mad scientists in you by romano young karen national geographic kids online on amazon ae at best prices fast and free

amazon com customer reviews try this extreme 50 fun - Aug 07 2022

try this extreme 50 fun safe experiments for the mad scientists in you romano young karen national geographic kids amazon sg books

try this 50 fun experiments for the mad scientist in you - May 16 2023

science can be extreme let curious kids discover it for themselves in this fascinating book of hands on science experiments that takes interactivity to a whole new level weird wacky

try this extreme 50 fun safe experiments for the mad - Aug 19 2023

sep 26 2017 let curious kids discover it for themselves in this fascinating book of hands on science experiments that takes interactivity to a whole new level weird wacky science facts

try this extreme 50 fun safe experiments for the - Sep 20 2023

sep 26 2017 let curious kids discover it for themselves in this fascinating book of hands on science experiments that takes interactivity to a whole new level weird wacky science facts

try this extreme 50 fun safe experiments for the mad - Mar 02 2022

apr 2 2018 the baking soda and vinegar volcano is a classic science fair project demonstration and a fun project for kids to try in the kitchen a chemical volcano made using baking soda

try this extreme 50 fun safe experiments for the mad - Jun 17 2023

try this extreme 50 fun safe experiments for the mad scientists in you karen romano young amazon com tr kitap

try this extreme 50 fun safe experiments for the mad - Apr 03 2022

amazon in buy try this extreme 50 fun safe experiments for the mad scientists in you book online at best prices in india on amazon in read try this extreme 50 fun safe

try this national geographic kids - Jul 18 2023

it s time for extreme fun and safe experiments for the mad scientist in you on try this examine test and observe scientific research right at home get ready to take science to the extreme

try this extreme 50 fun safe experiments for the mad - Dec 11 2022

abebooks com try this extreme 50 fun safe experiments for the mad scientist in you 9781426328633 by young karen romano

and a great selection of similar new used and

buy try this extreme 50 fun safe experiments for the mad - Feb 01 2022

place within net connections if you seek to download and install the try this extreme 50 fun safe experiments for the it is completely simple then in the past currently we extend the

try this extreme 50 fun safe experiments for the mad - Oct 09 2022

find helpful customer reviews and review ratings for try this extreme 50 fun safe experiments for the mad scientist in you at amazon com read honest and unbiased product

try this 50 fun experiments for the mad scientist in - Apr 15 2023

let curious kids discover it for themselves in this fascinating book of hands on science experiments that takes interactivity to a whole new level weird wacky science facts and basic

try this extreme 50 fun safe experiments for the mad - Jun 05 2022

try this extreme 50 fun safe experiments for the mad scientist in you young karen romano amazon com au books

try this extreme 50 fun safe experiments for the mad - Nov 10 2022

try this extreme 50 fun and safe experiments for the mad scientist in you experiments for young children to conduct to learn about science ages 10 grades 4 to 6 includes index

operations management by andrew greasley goodreads - Feb 08 2023

web jan 18 2006 operations management second edition covers the main areas of operations strategy the design of the operations system and the management of

operations management 2nd edition amazon com - Mar 09 2023

web dec 21 2009 operations management second edition covers the main areas of operations strategy the design of the operations system and the management of

operations management by andrew greasley ebook ebooks com - Sep 03 2022

web andrew greasley the sage course companion on operations management is an accessible introduction to the subject that will help readers to extend their understanding

greasley operations management 2nd edition student - Jan 07 2023

web operations management 2nd edition welcome to the web site for operations management by andrew greasley this web site gives you access to the rich tools and

operations management by andrew greasley open library - Sep 22 2021

web dec 9 2022 operations management by andrew greasley 2005 wiley edition in english an edition of operations management 2005 operations management by

operations management in business andrew greasley google - Jul 01 2022

web operations management in business this is a textbook that provides an introduction to operations management for business students through case studies it allows students

operations management andrew greasley google books - Apr 10 2023

web dec 12 2007 andrew greasley sage dec 12 2007 business economics 176 pages the sage course companion on operations management is an accessible

operations management andrew greasley google books - Aug 14 2023

web dec 21 2009 operations management second edition covers the main areas of operations strategy the design of the operations system and the management of

operations management andrew greasley 9780470997611 - Aug 02 2022

web jul 7 2011 operations management by andrew greasley 9780470997611 available at book depository with free delivery worldwide

operations management andrew greasley google books - Dec 06 2022

web dec 12 2007 andrew greasley sage publications 2008 business logistics 172 pages 0 reviews reviews aren t verified but google checks for and removes fake

absolute essentials of operations management 1st edition - Dec 26 2021

web this short textbook consolidates all the key aspects of operations management into a concise and easily accessible reference tool comprising the management of creating

operations management by andrew greasley open library - May 11 2023

web dec 9 2022 operations management by andrew greasley 2009 john wiley sons edition in english 2nd ed

operations management greasley andrew free download - Nov 05 2022

web this text provides an introduction to operations management focusing on all the key areas of operations strategy the text also covers qualitative and quantitative aspects

greasley a 2009 operations management fliphtml5 - Mar 29 2022

web sep 2 2015 check pages 1 50 of greasley a 2009 operations management in the flip pdf version greasley a 2009 operations management was published by adri14gv

greasley operations management 2nd edition instructor - Oct 24 2021

web welcome to the web site for operations management 2nd edition by andrew greasley this web site gives you access to the rich tools and resources available for this text you

operations management aston research explorer - Jan 27 2022

web 1 book operations management greasley a 27 feb 2009 2nd ed chichester uk wiley 584 p

operations management amazon co uk greasley - Jun 12 2023

web buy operations management 2nd edition by greasley andrew isbn 9780470997611 from amazon s book store everyday low prices and free delivery on eligible orders

operations management 2nd edition wiley - Jul 13 2023

web andrew greasley provides a clear and concise treatment of operations management the text covers the main areas of operations strategy the design of the operations system

operations management aston research explorer - Oct 04 2022

web operations management second edition covers the main areas of operations strategy the design of the operations system and the management of operations over time

operations management andrew greasley google books - May 31 2022

web andrew greasley wiley 2013 business economics 492 pages the sage course companion on operations management is an accessible introduction to the subject that

operations management 3rd edition wiley - Feb 25 2022

web features focuses on the subject from a european perspective deals with the management of the creation of goods and the delivery of services to the customer

operations management andrew greasley google books - Apr 29 2022

web operations management 3rd edition provides a clear and accessible introduction to this important area of study focusing on all key areas of operations in both manufacturing

operations management second edition greasley copy - Nov 24 2021

web what are its key features a focussed coverage geared specifically to the requirements of introductory modules in operations management incorporates recent work in such

prince hall the most worshipful prince hall grand lodge free - Jul 03 2023

web it gives me great pleasure to welcome you to the most worshipful prince hall grand lodge free and accepted masons jurisdiction of massachusetts website you are now visiting the oldest black organization in america

most worshipful prince hall grand lodge of dc youtube - Mar 19 2022

web jan 23 2020 mw grand master quincy g gant talks about masons marching in 39th annual mlk day parade

[home most worshipful prince hall grand lodge of louisiana](#) - Dec 28 2022

web subsequently during june 1850 with the permission of the grand lodge of pennsylvania richmond lodge changed its allegiance to the grand lodge of ohio on behalf of the officers and members of the jurisdiction of louisiana i welcome you to

the most worshipful prince hall grand lodge s website

[prince hall masons of ri](#) - Sep 24 2022

web jan 9 2021 the most worshipful prince hall grand lodge of rhode island jurisdictions inc is a fraternal organization dedicated to the ideal of the fatherhood of god and the brotherhood of man our fraternal organization takes good men and builds and develops them to be

[most worshipful prince hall grand lodge of oklahoma](#) - Oct 06 2023

web most worshipful prince hall grand lodge of oklahoma 918 683 3123 3124 ordinary men accomplishing extraordinary things

national grand lodge wikipedia - Jul 23 2022

web the mw prince hall grand lodge of indiana the most worshipful prince hall grand lodge of indiana was established september 13 1856 by warrant of the national grand lodge the mw prince hall grand lodge of illinois the most worshipful prince hall grand lodge of illinois was established may 6 1867 by warrant of the national grand

mwphglmd the official website for the most worshipful prince hall - Feb 27 2023

web the most worshipful prince hall grand lodge free and accepted masons of maryland and its jurisdiction inc mwphglmd is a fraternal organization dedicated to the fatherhood of god and the brotherhood of man our fraternal organization takes good men and builds and develops them to be better men

most worshipful prince hall grand lodge of pa mwgm paul a - Jun 02 2023

web welcome to the website of the most worshipful prince hall grand lodge jurisdiction of pennsylvania

[the most worshipful prince hall grand lodge of texas official](#) - May 01 2023

web the most worshipful prince hall grand lodge of texas official site for prince hall freemasonry in texas welcome to the website home of the most worshipful prince hall grand lodge of texas

most worshipful prince hall grand lodge of virginia f a m inc - Oct 26 2022

web we welcome you to the website of the most worshipful prince hall grand lodge of virginia the purpose of this site is to serve as a valuable resource to both the craft and the public at large on all matters concerning prince hall

who is prince hall the most worshipful prince hall grand lodge - May 21 2022

web prince hall was elected grand master and remained in this office until his death african lodge in philadelphia and hiram lodge in providence came under his aegis in 1797 with growth and expansion the movement went west and

mwphgalaska most worshipful prince hall grand lodge of - Apr 19 2022

web meet our grand master grand staff past grand masters lodges alpha no 1 mt mckinley no 2 midnight sun no 3 summit no 6 arctic no 7 edward a miller sr no 9 sterling r taylor no 10 events our gallery masonic links members only contact us online

payments phgc order of the eastern star

most worshipful prince hall grand lodge of free and accepted - Aug 04 2023

web the grand lodge of north carolina free and accepted ancient york masons was organized under the national compact march 1 1870 in the city of wilmington nc with the following officers james walker hood most worshipful grand master edward r dudley right worshipful deputy grand master george b willis right worshipful grand

most worshipful prince hall grand lodge new york - Nov 26 2022

web most worshipful prince hall grand lodge 454 west 155th street new york new york 10032 917 262 0190 toggle navigation most worshipful prince hall grand lodge

most worshipful prince hall grand lodge free and accepted - Sep 05 2023

web the mission of the most worshipful prince hall grand lodge free and accepted masons of alabama is to continue the legacy of making good men better through fraternal brotherhood to aid and assist our widows orphans and distressed brothers and to contribute to the community through service scholarship charity and training

most worshipful prince hall grand lodge - Mar 31 2023

web mwphglca become a mason most worshipful prince hall grand lodge free accepted masons of the state of california inc supporting education and charity freemasonry is the world s first and largest fraternal organization it is guided by the enduring belief that everyone has a responsibility to make the world a better place

most worshipful prince hall grand lodge of georgia mwphglga - Jan 29 2023

web most worshipful prince hall grand lodge of georgia 7340 old national highway riverdale ga 30296 mailing address most worshipful prince hall grand lodge of georgia p o box 490750 college park ga 30349 phone 770 994 1569 email info mwphglga org

most worshipful prince hall grand lodges tripod - Feb 15 2022

web most worshipful prince hall grand lodge of louisiana and jurisdiction 1335 37 north boulevard baton rouge louisiana 70821 most worshipful prince hall grand lodge of maryland and jurisdiction 1307 eutaw place baltimore maryland 21217 most worshipful prince hall grand lodge of massachusetts 24 washington st p o box 173

oklahoma grand lodge pha history most worshipful prince hall grand - Jun 21 2022

web the historical development of the most worshipful prince hall grand lodge of oklahoma is as interesting and fascinating as that of the state itself prior to the admission of oklahoma into the union as the nation s 46th state its geographical confines were denominated into two distinct regions oklahoma territory and indian territory

prince hall freemasonry most worshipful prince hall grand lodge - Aug 24 2022

web the most worshipful prince hall grand lodge prince hall and fourteen other men of color on march 6 1775 were initiated

in a british army lodge no 441 of the irish registry by j e batt worshipful master on castle william island now castle island in boston harbor when the british evacuated boston along with its 38th british foot