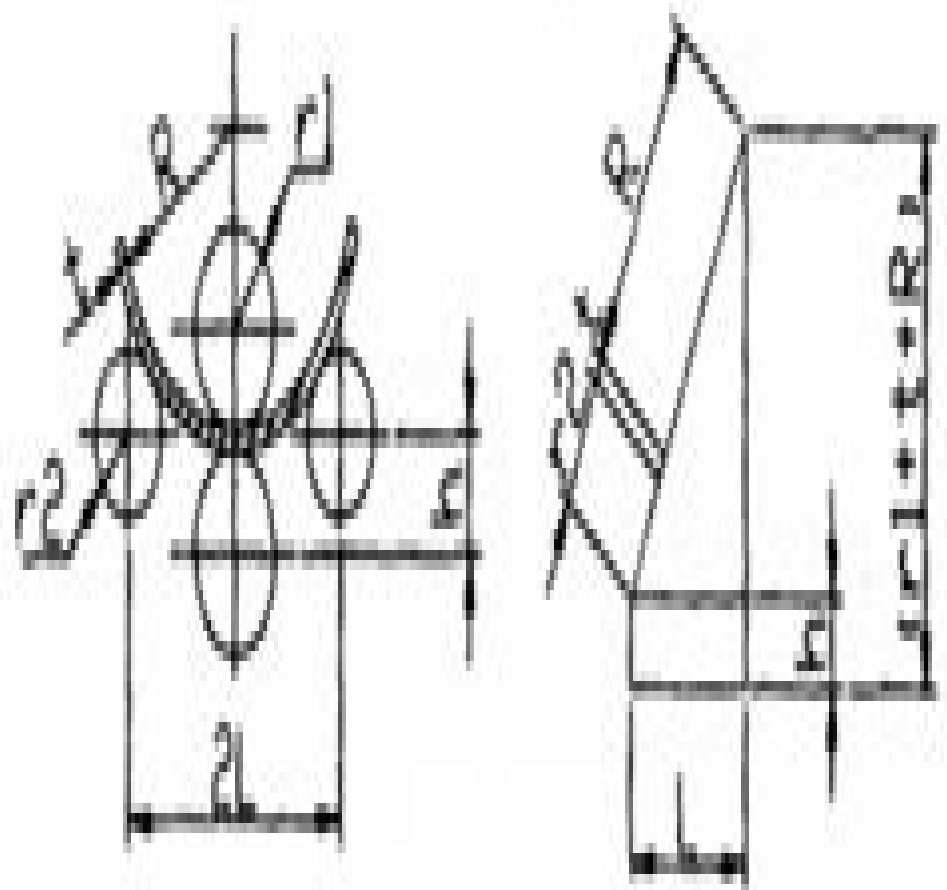


(a) Three-roll veneer reeling machine



(b) Four-roll veneer reeling machine

Plate Rolling Machine Calculation

Society of Manufacturing Engineers

A red circular graphic element with a gradient, partially overlapping the right side of the grey bar.

Plate Rolling Machine Calculation:

Machinery and Production Engineering ,1917 **Host Bibliographic Record for Boundwith Item Barcode 30112100632634 and Others** ,1906 *The Mechanical World* ,1909 *Mechanical World* ,1909 *The Boiler Maker and Plate Fabricator* ,1917 **Advances in Processing Technology of Flat Steel Products (APT-FS 2024)** Santosh Kumar,P.S. Rahul,Gadadhar Sahoo,B. Sunita Minz,D.K. Saxena,Manohar Lal,2024-09-12 Flat steel products are fundamental to modern manufacturing and construction serving as crucial materials in a wide array of industries From automotive components and household appliances to building structures and packaging materials flat steel s versatility and strength make it indispensable The flat steel industry has seen numerous technological advancements that have enhanced product quality and production efficiency Key developments include Advanced Coating Technologies Precision Manufacturing High Strength and Specialty Steels Sustainability Initiatives The advancements in flat steel products have had a profound impact on both industry and society In the industrial realm these products have enabled the creation of safer more efficient and more durable materials The automotive industry s use of high strength steel for example has led to safer vehicles with improved fuel efficiency On a societal level the widespread use of flat steel products has contributed to improved living standards Household appliances and infrastructure developments have enhanced everyday life by providing reliable and durable solutions Additionally the impact of flat steel products on the economy cannot be overstated they support numerous jobs and contribute significantly to global trade

Cotton Mill Processes and Calculations Daniel Augustus Tompkins,1899 **Industrial Engineering and the Engineering Digest** ,1912 Contains each month an Index to current technical literature **American Machinist** ,1906 **Cotton Mill Machinery Calculations** Bartholomew Moore Parker,1913 *Dictionary of Occupational Titles. Supplement. Edition II.* United States Employment Service,1943

Dictionary of Occupational Titles ,1943 Supplement to 3d ed called Selected characteristics of occupations physical demands working conditions training time issued by Bureau of Employment Security **The Iron Age** ,1890 **Product Engineering** ,1952 Vol for 1955 includes an issue with title Product design handbook issue 1956 Product design digest issue 1957 Design digest issue *Index of patents* ,1925 **Official Gazette of the United States Patent Office** USA Patent Office,1890 **Industrial Engineering and the Engineering Digest** Robert Thurston Kent,Charles MacCaughey Sames,1912 *Machinery* Fred Herbert Colvin,Lester Gray French,1910 **Steel Congress** European Coal and Steel Community. High Authority, *Tool and Manufacturing Engineers Handbook* Society of Manufacturing Engineers,1984-12-10 You ll rely on Forming to help you understand over 50 forming processes plus the advantages limitations and operating parameters for each process Save valuable production time and gain a competitive edge with practical data that covers both the basics and advanced forming processes Forming also helps you choose the most appropriate materials utilize innovative die designs and assess the advantages and limitations of different press types and

processes

Plate Rolling Machine Calculation Book Review: Unveiling the Power of Words

In a world driven by information and connectivity, the energy of words has been evident than ever. They have the capability to inspire, provoke, and ignite change. Such is the essence of the book **Plate Rolling Machine Calculation**, a literary masterpiece that delves deep to the significance of words and their affect our lives. Written by a renowned author, this captivating work takes readers on a transformative journey, unraveling the secrets and potential behind every word. In this review, we shall explore the book's key themes, examine its writing style, and analyze its overall affect readers.

<https://py.bijouxmedusa.com/data/book-search/HomePages/Mind%20The%20Gap%20Business%20Studies%20Study%20Guide.pdf>

Table of Contents Plate Rolling Machine Calculation

1. Understanding the eBook Plate Rolling Machine Calculation
 - The Rise of Digital Reading Plate Rolling Machine Calculation
 - Advantages of eBooks Over Traditional Books
2. Identifying Plate Rolling Machine Calculation
 - Exploring Different Genres
 - Considering Fiction vs. Non-Fiction
 - Determining Your Reading Goals
3. Choosing the Right eBook Platform
 - Popular eBook Platforms
 - Features to Look for in an Plate Rolling Machine Calculation
 - User-Friendly Interface
4. Exploring eBook Recommendations from Plate Rolling Machine Calculation
 - Personalized Recommendations
 - Plate Rolling Machine Calculation User Reviews and Ratings
 - Plate Rolling Machine Calculation and Bestseller Lists

5. Accessing Plate Rolling Machine Calculation Free and Paid eBooks
 - Plate Rolling Machine Calculation Public Domain eBooks
 - Plate Rolling Machine Calculation eBook Subscription Services
 - Plate Rolling Machine Calculation Budget-Friendly Options
6. Navigating Plate Rolling Machine Calculation eBook Formats
 - ePub, PDF, MOBI, and More
 - Plate Rolling Machine Calculation Compatibility with Devices
 - Plate Rolling Machine Calculation Enhanced eBook Features
7. Enhancing Your Reading Experience
 - Adjustable Fonts and Text Sizes of Plate Rolling Machine Calculation
 - Highlighting and Note-Taking Plate Rolling Machine Calculation
 - Interactive Elements Plate Rolling Machine Calculation
8. Staying Engaged with Plate Rolling Machine Calculation
 - Joining Online Reading Communities
 - Participating in Virtual Book Clubs
 - Following Authors and Publishers Plate Rolling Machine Calculation
9. Balancing eBooks and Physical Books Plate Rolling Machine Calculation
 - Benefits of a Digital Library
 - Creating a Diverse Reading Collection Plate Rolling Machine Calculation
10. Overcoming Reading Challenges
 - Dealing with Digital Eye Strain
 - Minimizing Distractions
 - Managing Screen Time
11. Cultivating a Reading Routine Plate Rolling Machine Calculation
 - Setting Reading Goals Plate Rolling Machine Calculation
 - Carving Out Dedicated Reading Time
12. Sourcing Reliable Information of Plate Rolling Machine Calculation
 - Fact-Checking eBook Content of Plate Rolling Machine Calculation
 - Distinguishing Credible Sources
13. Promoting Lifelong Learning

- Utilizing eBooks for Skill Development
 - Exploring Educational eBooks
14. Embracing eBook Trends
- Integration of Multimedia Elements
 - Interactive and Gamified eBooks

Plate Rolling Machine Calculation Introduction

Free PDF Books and Manuals for Download: Unlocking Knowledge at Your Fingertips In today's fast-paced digital age, obtaining valuable knowledge has become easier than ever. Thanks to the internet, a vast array of books and manuals are now available for free download in PDF format. Whether you are a student, professional, or simply an avid reader, this treasure trove of downloadable resources offers a wealth of information, conveniently accessible anytime, anywhere. The advent of online libraries and platforms dedicated to sharing knowledge has revolutionized the way we consume information. No longer confined to physical libraries or bookstores, readers can now access an extensive collection of digital books and manuals with just a few clicks. These resources, available in PDF, Microsoft Word, and PowerPoint formats, cater to a wide range of interests, including literature, technology, science, history, and much more. One notable platform where you can explore and download free Plate Rolling Machine Calculation PDF books and manuals is the internet's largest free library. Hosted online, this catalog compiles a vast assortment of documents, making it a veritable goldmine of knowledge. With its easy-to-use website interface and customizable PDF generator, this platform offers a user-friendly experience, allowing individuals to effortlessly navigate and access the information they seek. The availability of free PDF books and manuals on this platform demonstrates its commitment to democratizing education and empowering individuals with the tools needed to succeed in their chosen fields. It allows anyone, regardless of their background or financial limitations, to expand their horizons and gain insights from experts in various disciplines. One of the most significant advantages of downloading PDF books and manuals lies in their portability. Unlike physical copies, digital books can be stored and carried on a single device, such as a tablet or smartphone, saving valuable space and weight. This convenience makes it possible for readers to have their entire library at their fingertips, whether they are commuting, traveling, or simply enjoying a lazy afternoon at home. Additionally, digital files are easily searchable, enabling readers to locate specific information within seconds. With a few keystrokes, users can search for keywords, topics, or phrases, making research and finding relevant information a breeze. This efficiency saves time and effort, streamlining the learning process and allowing individuals to focus on extracting the information they need. Furthermore, the availability of free PDF books and manuals fosters a culture of continuous learning. By removing financial barriers, more people can access educational resources and pursue lifelong learning, contributing to

personal growth and professional development. This democratization of knowledge promotes intellectual curiosity and empowers individuals to become lifelong learners, promoting progress and innovation in various fields. It is worth noting that while accessing free Plate Rolling Machine Calculation PDF books and manuals is convenient and cost-effective, it is vital to respect copyright laws and intellectual property rights. Platforms offering free downloads often operate within legal boundaries, ensuring that the materials they provide are either in the public domain or authorized for distribution. By adhering to copyright laws, users can enjoy the benefits of free access to knowledge while supporting the authors and publishers who make these resources available. In conclusion, the availability of Plate Rolling Machine Calculation free PDF books and manuals for download has revolutionized the way we access and consume knowledge. With just a few clicks, individuals can explore a vast collection of resources across different disciplines, all free of charge. This accessibility empowers individuals to become lifelong learners, contributing to personal growth, professional development, and the advancement of society as a whole. So why not unlock a world of knowledge today? Start exploring the vast sea of free PDF books and manuals waiting to be discovered right at your fingertips.

FAQs About Plate Rolling Machine Calculation Books

How do I know which eBook platform is the best for me? Finding the best eBook platform depends on your reading preferences and device compatibility. Research different platforms, read user reviews, and explore their features before making a choice. Are free eBooks of good quality? Yes, many reputable platforms offer high-quality free eBooks, including classics and public domain works. However, make sure to verify the source to ensure the eBook credibility. Can I read eBooks without an eReader? Absolutely! Most eBook platforms offer web-based readers or mobile apps that allow you to read eBooks on your computer, tablet, or smartphone. How do I avoid digital eye strain while reading eBooks? To prevent digital eye strain, take regular breaks, adjust the font size and background color, and ensure proper lighting while reading eBooks. What the advantage of interactive eBooks? Interactive eBooks incorporate multimedia elements, quizzes, and activities, enhancing the reader engagement and providing a more immersive learning experience. Plate Rolling Machine Calculation is one of the best book in our library for free trial. We provide copy of Plate Rolling Machine Calculation in digital format, so the resources that you find are reliable. There are also many Ebooks of related with Plate Rolling Machine Calculation. Where to download Plate Rolling Machine Calculation online for free? Are you looking for Plate Rolling Machine Calculation PDF? This is definitely going to save you time and cash in something you should think about.

Find Plate Rolling Machine Calculation :

[mind the gap business studies study guide](#)

[mechanization of conservation agriculture for smallholders](#)

[merck index 15 e amonis](#)

[meriam statics 6th edition solution manual](#)

mini habits smaller bigger results stephen guise

[mechanics machines hannah stephens solution manual](#)

[mmpi test 567 questions](#)

mental liberation in the age of thought control deprogramming satanic ritual abuse mk ultra monarch illuminati mind control

miller heiman gold sheets

mercedes w169 repair manual

[microeconomic theory basic principles and extensions solutions](#)

modern advanced accounting in canada 8th edition hilton

merchant of venice story in hindi

mesopotamian magic a comprehensive course in sumerian babylonian mardukite systems of ancient magick religion

michigan pesticide study guide

Plate Rolling Machine Calculation :

style and grammar guidelines - Jun 24 2022

web this checklist corresponds to the writing and formatting guidelines described in full in the concise guide to apa style 7th ed refer to the following chapters for specific

[student paper setup guide apa style 7th edition](#) - Sep 27 2022

web apa style reference guide for journal articles books and edited book chapters apa style 7th edition author american psychological association subject references

[pocket guide to apa style robert perrin google books](#) - Nov 17 2021

pocket guide to apa style by robert perrin goodreads - Mar 02 2023

web empower students to accelerate their progress with mindtap mindtap powered by you mindtap english for perrin s pocket guide to apa style 7th edition is the digital

concise guide to apa style seventh edition - Jun 05 2023

web concise guide to apa style seventh edition designed specifically for undergraduate writing this easy to use pocket guide is adapted from the seventh edition of the

pocket guide to apa style with apa 7e updates spiral bound - Mar 22 2022

web mar 22 2021 the concise guide is designed for students in high school or college who are writing their first apa style papers and need to know the fundamentals the concise

introducing the concise guide to apa style 7th ed - Jan 20 2022

web an ideal tool for students writing research papers across the disciplines the pocket guide to apa style international edition offers straightforward explanations annotated

pocket guide to apa style with apa 7e updates mindtap - Oct 09 2023

web jun 30 2020 perrin s pocket guide to apa style 7th edition is your essential tool for writing research papers in every course you take concise yet thorough the pocket guide presents straightforward explanations annotated examples and margin notes

pocket guide to apa style robert perrin google books - Aug 07 2023

web jan 1 2014 the pocket guide to apa style 5e is an essential tool for writing research papers across the disciplines concise and thorough the pocket guide

pocket guide to apa style spiral bound version softcover - May 24 2022

web perrin s pocket guide to apa style 7th edition is your essential tool for writing research papers in every course you take concise yet thorough the pocket guide

apa formatting and citation 7th ed generator template - Aug 27 2022

web style and grammar guidelines apa style provides a foundation for effective scholarly communication because it helps writers present their ideas in a clear concise and

pocket guide to apa style booktopia - Dec 19 2021

pocket guide to apa style w apa7e updates mla9e update - Feb 01 2023

web jan 1 2014 amazon com pocket guide to apa style 9781285425917 perrin robert books books reference writing research publishing guides buy new 18 65 list

pocket guide to apa style includes the updated 2009 apa - Feb 18 2022

web jan 31 2014 an ideal tool for students writing research papers across the disciplines the pocket guide to apa style 5e offers straightforward explanations annotated

pocket guide to apa style 5th edition amazon com - Nov 29 2022

web oct 21 2020 this guide will help you set up an apa style student paper the basic setup directions apply to the entire paper annotated diagrams illustrate how to set up the

apa style reference guide for journal articles books and - Jul 26 2022

web concise and thorough the pocket guide offers straightforward explanations annotated examples and margin notes designed to help you write properly documented papers in

apa style products - May 04 2023

web jan 1 2011 an ideal tool for students writing research papers across the disciplines the pocket guide to apa style 4th edition offers straightforward explanations

pocket guide to apa style with apa 7e updates google books - Sep 08 2023

web jun 26 2020 pocket guide to apa style with apa 7e updates robert perrin cengage learning jun 26 2020 education 192 pages perrin s pocket guide to apa

apa style - Dec 31 2022

web concise guide to apa style seventh edition is the official apa style resource for students designed specifically for undergraduate writing this easy to use pocket guide

pocket guide to apa style robert perrin google books - Jul 06 2023

web perrin s pocket guide to apa style 7th edition is your essential tool for writing research papers in every course you take concise yet thorough the pocket guide

concise guide to apa style 7th ed apa psycnet - Oct 29 2022

web nov 6 2020 revised on august 23 2022 this article reflects the apa 7th edition guidelines click here for apa 6th edition guidelines the 7th edition of the apa

pocket guide to apa style robert perrin google books - Apr 03 2023

web jul 27 2021 perrin s pocket guide to apa style 7th edition is your essential tool for writing research papers in every course you take concise yet thorough the pocket

concise guide 7th edition student paper checklist apa style - Apr 22 2022

web pocket guide to apa style includes the updated 2009 apa guidelines perrin robert amazon com tr kitap

ap united states history college board - Sep 04 2022

web us history free response questions united states history section i part b time 40 minutes directions answer question 1

and question 2 answer either question 3 or question 4 write your responses in the section i part b short answer response booklet you must write your response to each

american nation 3rd edition solutions and answers quizlet - May 12 2023

web textbook solutions verified chapter 1 the world by 1500 section 1 1 early peoples of the americas section 1 2 early world trading kingdoms section 1 3 europe in the middle ages section 1 4 the lure of trade and exploration page 30 chapter review reviewing themes page 30 chapter review identifying people and ideas page 30

ap united states history ap central - Oct 05 2022

web united states history 2021 free response questions question 3 or 4 directions answer either question 3 or question 4 3 answer a b and c a briefly describe one specific historical continuity in relations between american indians and the united states in the period from 1776 to 1815

share divestment isn t the answer to greener investment - Jan 28 2022

web 1 day ago a paper by the stanford graduate school of business found the impact of esg divestment on the cost of capital was too small to affect real investment decisions meaningfully in the us to affect

american history chapter 3 study guide flashcards quizlet - Aug 03 2022

web american history chapter 3 study guide historian margaret argues that southerners used african slaves in part because click the card to flip it was easier to buy slaves than to hire indentured servants click the card to flip

american history i unit 3 test flashcards quizlet - Feb 26 2022

web passage of legislation forbids the practice of importing slaves what did the federalists support in the late 1700s ratification of the u s constitution what compromise resolved the issue of representation in our new government the great compromise both the northwest ordinance of 1787 and the land ordinance were put in place for what reason

us history topic 3 exam flashcards quizlet - Nov 06 2022

web what is manifest destiny and what would crazy horse have thought about it manifest destiny is the idea that the americans were destined to own and cultivate the land from east to west sea to shining sea 3 how would you describe life for settlers of the great plains

answers to american history section 3 help discoveram - Jun 01 2022

web jun 4 2023 answers to american history section 3 answers to american history section 3 bible history answers in genesis apa style archaeology answers in genesis achp section 106 regulations section by section early american history easy peasy all in one high school archaeology answers in genesis history of

u s history chapter 11 section 3 flashcards quizlet - Mar 10 2023

web u s history chapter 11 section 3 3 5 6 reviews what were some things accomplished by the war industries board wbi click

the card to flip

[the american revolution section 3 quiz flashcards quizlet](#) - Jan 08 2023

web american diplomat who negotiated alliance with france g benjamin franklin location of washington s winter encampment in 1777 and 1778 c valley forge which of the following advantages was held by the british at the beginning of the war b the british army had more weapons and ships than the continental army

answers to american history section 3 secure4 khronos - Apr 30 2022

web bargains to acquire and set up answers to american history section 3 therefore plain you could quickly retrieve this answers to american history section 3 after acquiring offer

u a w goes on strike at 3 plants in midwest the new york times - Dec 27 2021

web 1 day ago published sept 14 2023 updated sept 15 2023 2 53 a m et thousands of members of the united automobile workers union went on strike friday at three plants in three midwestern states in what

[american history chapter 3 assessment flashcards quizlet](#) - Dec 07 2022

web american history chapter 3 assessment which colonies have the largest concentrations of people of african descent click the card to flip georgia virginia and north carolina click the card to flip 1 57

[united states history 1st edition solutions and answers quizlet](#) - Jul 14 2023

web textbook solutions verified chapter 1 many cultures meet section 1 1 the american indians section 1 2 the europeans section 1 3 the west africans section 1 4 first encounters page 30 chapter assessment page 31 document based assessment exercise 1 exercise 2 exercise 3 exercise 4 exercise 5 exercise 6 chapter 2 europeans

united states history chapter 3 assessment flashcards - Feb 09 2023

web 3 i think that the colonies experiences in the french and indian war inspired benjamin franklin to create this drawing compare and contrast the opportunities available to immigrants in the three colonial regions middle colonies was most ethnically diverse and had most economic opportunities

the americans 1st edition solutions and answers quizlet - Apr 11 2023

web textbook solutions verified chapter 1 three worlds meet section 1 1 peopling the americas section 1 2 north american societies around 1492 section 1 3 west african societies around 1492 section 1 4 european societies around 1492 section 1 5 transatlantic encounters page 32 main ideas page 32 terms names page 32

[answer key chapter 3 u s history openstax](#) - Jun 13 2023

web 3 2 colonial rivalries dutch and french colonial ambitions 3 3 english settlements in america 3 4 the impact of colonization key terms summary review questions critical thinking questions

[us history topic 3 flashcards quizlet](#) - Mar 30 2022

web the declaration of independence and ideas that inspired it common sense by thomas paine swung popular opinion in the colonies in favor of independence paine proposed independence from britain a republic and a union of the new states he argued a republic would provide opportunities to reward merit

[ap united states history ap central](#) - Jul 02 2022

web united states history 2023 free response questions united states history section ii total time 1 hour and 40 minutes question 1 document based question suggested reading and writing time 1 hour it is suggested that you spend 15 minutes reading the documents and 45 minutes writing your response

[american history 1st edition solutions and answers quizlet](#) - Aug 15 2023

web now with expert verified solutions from american history 1st edition you ll learn how to solve your toughest homework problems our resource for american history includes answers to chapter exercises as well as detailed information to walk you through the process step by step

[in camelot s shadow book one of the paths to camelot series](#) - Mar 12 2023

web from the wilds of moreland to the court of camelot a woman searches for her true powers fleeing from the knowledge that her father had promised her to an evil

[rare ring of fire solar eclipse will cross the u s on saturday](#) - Oct 27 2021

web 6 hours ago cnn s anna chernova wayne chang and mengchen zhang contributed reporting a two day global gathering billed as china s most important diplomatic event

[in camelot s shadow harlequin com](#) - Feb 16 2021

[risa in camelot s shadow 1 the queens of camelot](#) - Jun 03 2022

web shadows over camelot is an arthurian themed board game designed by serge laget and bruno cathala illustrated by julien delval and cyrille daujean the game was unveiled

the paths to camelot series by sarah zettel goodreads - May 14 2023

web from the wilds of moreland to the court of camelot a woman searches for her true powers fleeing from the knowledge that her father had promised her to an evil sorcerer

in camelot s shadow 2004 edition open library - Feb 11 2023

web may 1 2012 from the wilds of moreland to the court of camelot a woman searches for her true powers fleeing from the knowledge that her father had promised her to an evil

[shadows over camelot wikipedia](#) - Feb 28 2022

web october 14 2023 jpeg on october 14 2023 the moon aligned with the sun and earth to produce an annular solar eclipse

the spectacle bathed millions of americans in a lunar

in camelot s shadow paperback april 24 2010 - Jun 15 2023

web the uk edition is called camelot s shadow a stunning tale of romance and magic set against the legendary back drop of king arthur s court before risa s birth her father

the sopranos in camelot tv episode 2004 imdb - Jan 30 2022

web oct 13 2023 on saturday sky watchers along a roughly 125 mile wide path that cuts from oregon south to texas and through central and south america will be able to see the

in camelot s shadow by sarah zettel overdrive - Dec 09 2022

web in camelot s shadow by sarah zettel released on jul 12 2005 is available now for purchase close modal try harlequin reader service and get a chance to win free

in camelot r thesopranos reddit - Dec 29 2021

web 2 days ago 01 23 lara parker best known for her role as the witch angelique bouchard collins on the late 60s horror tv series dark shadows died on thursday oct 12 extra

in camelot s shadow paths to camelot 1 by sarah zettel - Apr 13 2023

web camelot s shadow by sarah zettel 2004 luna edition in english 1st ed

risa in camelot s shadow by sarah zettel barnes noble - Aug 05 2022

web buy in camelot s shadow by zettel sarah isbn 9780373802043 from amazon s book store everyday low prices and free delivery on eligible orders

rba must avoid radical change australia s shadow treasurer - Mar 20 2021

web camelot s shadow by sarah zettel 2004 luna edition in english 1st ed

china prepares for belt and road summit in shadow of israel - Jun 22 2021

web 9 hours ago australia s central bank must avoid radical change its shadow treasurer says angus taylor says monetary committee must be properly chosen worries that

in camelot s shadow the path to camelot softcover abebooks - Oct 07 2022

web jul 1 2005 buy in camelot s shadow reader s choice by zettel sarah from amazon s fiction books store everyday low prices on a huge range of new releases and classic

in camelot s shadow by sarah zettel open library - Dec 17 2020

in camelot s shadow sarah zettel google books - Jan 18 2021

in camelot s shadow zettel sarah free download borrow - Jul 16 2023

web by sarah zettel 4 53 15 ratings 2 editions all four novels in the fantasy romance series feat want to read rate it in camelot s shadow the paths to camelot 1 for

in camelot s shadow the paths to camelot 1 - Sep 18 2023

web an epic series featuring the women of camelot begins with this tale of forbidden magic and enduring love lady risa of the morelands has already caught the eyes and won the

putin s prominence and the shadow of conflict key takeaways - Jul 24 2021

web 2 days ago ganjar pranowo indonesia democratic party of struggle pdip candidate in the 2024 presidential election talks with indonesian president joko widodo as they

in camelot s shadow harlequin com - Sep 06 2022

web buy risa in camelot s shadow 1 the queens of camelot unabridged by zettel sarah wright charlotte abano aaron isbn 9781713502036 from amazon s book store

in camelot s shadow paperback 1 mar 2004 amazon co uk - May 02 2022

web apr 18 2004 in camelot directed by steve buscemi with james gandolfini lorraine bracco edie falco michael imperioli tony learns about his father through the man s

r i p lara parker dark shadows star dead at 84 decider - Sep 25 2021

web oct 16 2023 china is due to host representatives of 130 countries for a forum on its belt and road initiative bri that is likely to be overshadowed by the israel gaza war and

darkened by the moon s shadow nasa earth observatory - Nov 27 2021

web 1 day ago but sustaining that could be tough if major property developers keep cracking apart too official data released wednesday showed the chinese economy grew 4 9

the long shadow hits four continents in first round of sales - May 22 2021

web in camelot s shadow by sarah zettel released on feb 23 2004 is available now for purchase

china stabilizes in the shadow of country garden and evergrande - Aug 25 2021

web oct 16 2023 distributor all3media intl has sold the long shadow written by lupin creator george kay to sundance now which has taken exclusive rights in the u s and

in camelot s shadow sarah zettel google books - Jan 10 2023

web in camelot s shadow the path to camelot by zettel sarah isbn 10 0373802048 isbn 13 9780373802043 luna 2004 softcover

analysis indonesian court ruling casts shadow over integrity of - Apr 20 2021

web armed with her bow and her confidence she swore to evade the wicked euberacon s claim and when she stumbled upon sir gawain returning to camelot to warn of a plot against

risa in camelot s shadow e kitap sarah zettel storytel - Aug 17 2023

web in camelot s shadow by zettel sarah publication date 2004 topics fantasy fiction publisher new york luna collection

inlibrary printdisabled internetarchivebooks china

shadows of camelot crossing a haunting in stillwater book 2 - Apr 01 2022

web in camelot is not perfect by any means but on recent rewatches it has become one of my favorites sil break it down for us the question of whether or not fran was sitting at

in camelot s shadow reader s choice paperback 1 july 2005 - Jul 04 2022

web oct 18 2022 deep water shadows of camelot crossing a haunting in stillwater book 2 the lingering strands of troubled family ties never truly fade away no matter how hard

risa in camelot s shadow the queens of camelot - Nov 08 2022

web apr 9 2019 sarah zettel is the critically acclaimed author of more than twenty novels spanning the full range of genre fiction her debut novel reclamation won the locus