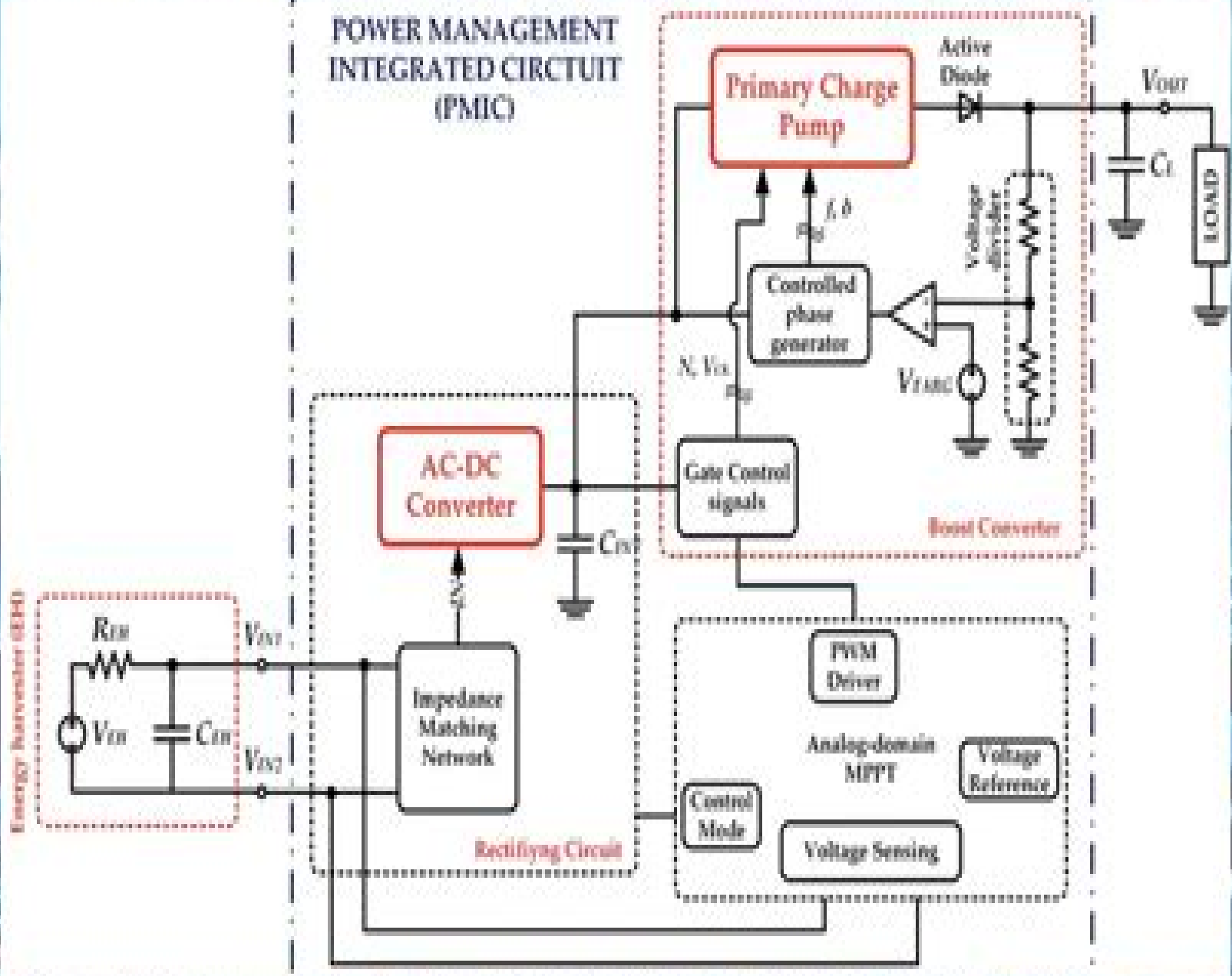


POWER MANAGEMENT INTEGRATED CIRCUIT (PMIC)



Power Management Integrated Circuit Analysis And Design

Wing-Hung Ki



Power Management Integrated Circuit Analysis And Design:

Power Management Integrated Circuit Analysis and Design Wing-Hung Ki, 2017-05-08 A timely one stop pioneering book presenting all four major power management integrated circuits Existing analog IC books usually focus on amplifier and comparator designs with some extend to switched capacitor filter designs and analog to digital and digital to analog converters design There is no book yet on power management integrated circuits Ki s book fills the void This self contained book discusses all fundamental concepts in switching converters low dropout regulators charge pumps and voltage references systematically and in the context of analog integrated circuit design Furthermore concepts are discussed in both qualitative and quantitative aspects Qualitative understanding is important in getting the essential operation of a circuit but quantitative analysis supplies the solid foundation on which qualitative discussion is based First book covering all four major power management circuits All concepts discussed in both qualitative and quantitative aspects Written as a self contained text well organized and systematic Authored by a pioneering scientist in the field Supplementary instructional materials available for lecturers MATLAB simulation code for readers to download and practice on their own

Design of Power Management Integrated Circuits Bernhard Wicht, 2024-05-14 Design of Power Management Integrated Circuits Comprehensive resource on power management ICs affording new levels of functionality and applications with cost reduction in various fields Design of Power Management Integrated Circuits is a comprehensive reference for power management IC design covering the circuit design of main power management circuits like linear and switched mode voltage regulators along with sub circuits such as power switches gate drivers and their supply level shifters the error amplifier current sensing and control loop design Circuits for protection and diagnostics as well as aspects of the physical design like lateral and vertical power delivery pin out floor planning grounding supply guidelines and packaging are also addressed A full chapter is dedicated to the design of integrated passives The text illustrates the application of power management integrated circuits PMIC to growth areas like computing the Internet of Things mobility and renewable energy Includes numerous real world examples case studies and exercises illustrating key design concepts and techniques Offering a unique insight into this rapidly evolving technology through the author s experience developing PMICs in both the industrial and academic environment Design of Power Management Integrated Circuits includes information on Capacitive inductive and hybrid DC DC converters and their essential circuit blocks covering error amplifiers comparators and ramp generators Sensing protection and diagnostics covering thermal protection inductive loads and clamping structures under voltage reference and power on reset generation Integrated MOS MOM and MIM capacitors integrated inductors Control loop design and PWM generation ensuring stability and fast transient response subharmonic oscillations in current mode control analysis and circuit design for slope compensation DC behavior and DC related circuit design covering power efficiency line and load regulation error amplifier dropout and power transistor sizing Commonly used level shifters including sizing rules and

cascaded tapered driver sizing and optimization guidelines Optimizing the physical design considering packaging floor planning EMI pinout PCB design and thermal design Design of Power Management Integrated Circuits is an essential resource on the subject for circuit designers IC designers system engineers and application engineers along with advanced undergraduate students and graduate students in related programs of study *Power Management Integrated Circuits* Amit Patra, Shailendra Baranwal, Ashis Maity, Samiran Dam, Syed Asif Eqbal, 2024-09-09 This book intends to be a comprehensive text on the topic of integrated circuits for power management putting together both theoretical foundations and practical details leading to successful design practices in research and industry It covers all the three main categories of power management circuits viz linear regulators inductor based switchers and switched capacitor circuits and presents detailed discussion of their common topologies operation and modeling Features Includes underlying theory and design implementation practical ingredients for power management integrated circuits PMICs Provides in depth analysis of topologies and circuits related to linear regulators switched capacitor converters and inductor based converters Covers all the relevant topics at the intersection between power electronics and integrated circuit design areas Provides guidelines for design of circuits and solutions for all the pertinent topologies Indicates all important issues and the related trade offs in the design of PMICs The book will be a valuable resource for senior and graduate level students as well as industry professionals who have done university level courses on analog circuit design control systems and power electronics Power Management Integrated Circuits Mona M. Hella, Patrick Mercier, 2017-12-19 Power Management Integrated Circuits and Technologies delivers a modern treatise on mixed signal integrated circuit design for power management Comprised of chapters authored by leading researchers from industry and academia this definitive text Describes circuit and architectural level innovations that meet advanced power and speed capabilities Explores hybrid inductive capacitive converters for wide range dynamic voltage scaling Presents innovative control techniques for single inductor dual output SIDO and single inductor multiple output SIMO converters Discusses cutting edge design techniques including switching converters for analog RF loads Compares the use of GaAs pHEMTs to CMOS devices for efficient high frequency switching converters Thus Power Management Integrated Circuits and Technologies provides comprehensive state of the art coverage of this exciting and emerging field of engineering Power Management Integrated Circuits Amit Patra, 2025 This book intends to be a comprehensive text on the topic of integrated circuits for power management putting together both theoretical foundations and practical details leading to successful design practices in research and industry It covers all the three main categories of power management circuits viz linear regulators inductor based switchers and switched capacitor circuits presenting detailed discussion of their common topologies operation and modeling Features Includes underlying theory and design implementation practical ingredients for Power Management Integrated Circuits PMICs Provides in depth analysis of topologies and circuits related to linear regulators switched capacitor converters and inductor based converters Covers all

the relevant topics at the intersection between power electronics and integrated circuit design areas Provide guidelines for design of circuits and solutions for all the pertinent topologies Indicate all important issues and the related trade offs in design of PMICs The book will be a valuable resource for senior and graduate level students as well as industry professionals who have done university level courses on analog circuit design control systems and power electronics **EDN.** ,1987

Designer's Handbook of Integrated Circuits Arthur Bernard Williams,1984 [ElectronicsWeek](#) ,1984 *Design of Power Management Integrated Circuits* Bernhard Wicht,2024-05-13 *Design of Power Management Integrated Circuits* Comprehensive resource on power management ICs affording new levels of functionality and applications with cost reduction in various fields *Design of Power Management Integrated Circuits* is a comprehensive reference for power management IC design covering the circuit design of main power management circuits like linear and switched mode voltage regulators along with sub circuits such as power switches gate drivers and their supply level shifters the error amplifier current sensing and control loop design Circuits for protection and diagnostics as well as aspects of the physical design like lateral and vertical power delivery pin out floor planning grounding supply guidelines and packaging are also addressed A full chapter is dedicated to the design of integrated passives The text illustrates the application of power management integrated circuits PMIC to growth areas like computing the Internet of Things mobility and renewable energy Includes numerous real world examples case studies and exercises illustrating key design concepts and techniques Offering a unique insight into this rapidly evolving technology through the author s experience developing PMICs in both the industrial and academic environment *Design of Power Management Integrated Circuits* includes information on Capacitive inductive and hybrid DC DC converters and their essential circuit blocks covering error amplifiers comparators and ramp generators Sensing protection and diagnostics covering thermal protection inductive loads and clamping structures under voltage reference and power on reset generation Integrated MOS MOM and MIM capacitors integrated inductors Control loop design and PWM generation ensuring stability and fast transient response subharmonic oscillations in current mode control analysis and circuit design for slope compensation DC behavior and DC related circuit design covering power efficiency line and load regulation error amplifier dropout and power transistor sizing Commonly used level shifters including sizing rules and cascaded tapered driver sizing and optimization guidelines Optimizing the physical design considering packaging floor planning EMI pinout PCB design and thermal design *Design of Power Management Integrated Circuits* is an essential resource on the subject for circuit designers IC designers system engineers and application engineers along with advanced undergraduate students and graduate students in related programs of study [The Oryx Guide to Distance Learning](#) William E. Burgess,1997 Provides informative descriptions of 4 200 media assisted courses offered by 420 accredited postsecondary institutions in the United States The courses are organized by state and then by institution Each entry includes institution address telephone and fax numbers geographic access area descriptions of the courses and delivery

methods and information about accreditation admission requirements tuition credit awarded grade exam system and library services New to the second edition are 130 new institutions World Wide Web URLs e mail addresses and subject index cross references Annotation copyrighted by Book News Inc Portland OR *Peterson's Graduate Programs in Engineering and Applied Sciences, 1996* Peterson's Guides, Peterson's Guides Staff, Peterson's, 1995-12-10 Graduate students depend on this series and ask for it by name Why For over 30 years it s been the only one stop source that supplies all of their information needs The new editions of this six volume set contain the most comprehensive information available on more than 1 500 colleges offering over 31 000 master s doctoral and professional degree programs in more than 350 disciplines New for 1997 Non degree granting research centers institutes and training programs that are part of a graduate degree program Five discipline specific volumes detail entrance and program requirements deadlines costs contacts and special options such as distance learning for each program if available Each Guide features The Graduate Adviser which discusses entrance exams financial aid accreditation and more Interest in these fields has never been higher And this is the source to the 3 400 programs currently available from bioengineering and computer science to construction management A Guide to the Literature of Electrical and Electronics Engineering Susan Ardis, 1987 CMOS Nanoelectronics: Analog and RF VLSI Circuits Krzysztof Iniewski, 2011-07-19 In depth coverage of integrated circuit design on the nanoscale level Written by international experts in industry and academia CMOS Nanoelectronics addresses the state of the art in integrated circuit design in the context of emerging systems New exciting opportunities in body area networks wireless communications data networking and optical imaging are discussed This cutting edge guide explores emerging design concepts for very low power and describes design approaches for RF transceivers high speed serial links PLL DLL and ADC DAC converters CMOS Nanoelectronics covers Portable high efficiency polar transmitters All digital RF signal generation Frequency multiplier design Tunable CMOS RF filters GaAs HBT linear power amplifier design High speed serial I O design CDMA based crosstalk cancellation Delta sigma fractional N PLL Delay locked loops Digital clock generators Analog design in deep submicron CMOS technologies 1 f noise reduction for linear analog CMOS ICs Broadband high resolution bandpass sigma delta modulators Analog digital conversion specifications for power line communication systems Digital to analog converters for LCDs Sub 1 V CMOS bandgap reference design And much more **Which Degree Guide** ,2001 Proceedings of the ... Intersociety Energy Conversion Engineering Conference ,1986 **The Engineering Index Annual** ,1992 Since its creation in 1884 Engineering Index has covered virtually every major engineering innovation from around the world It serves as the historical record of virtually every major engineering innovation of the 20th century Recent content is a vital resource for current awareness new production information technological forecasting and competitive intelligence The world s most comprehensive interdisciplinary engineering database Engineering Index contains over 10 7 million records Each year over 500 000 new abstracts are added from over 5 000 scholarly journals trade magazines and conference proceedings Coverage

spans over 175 engineering disciplines from over 80 countries Updated weekly **British Universities' Guide to Graduate Study** ,1992 Proceedings of Technical Papers ,1995 **Which Degree?** ,1985 *Catalogs of Courses* University of California, Berkeley,1994 Includes general and summer catalogs issued between 1878 1879 and 1995 1997

Enjoying the Beat of Appearance: An Psychological Symphony within **Power Management Integrated Circuit Analysis And Design**

In some sort of taken by monitors and the ceaseless chatter of immediate communication, the melodic beauty and emotional symphony produced by the published term often diminish in to the back ground, eclipsed by the persistent noise and distractions that permeate our lives. Nevertheless, located within the pages of **Power Management Integrated Circuit Analysis And Design** an enchanting literary prize full of raw emotions, lies an immersive symphony waiting to be embraced. Crafted by a masterful composer of language, that charming masterpiece conducts viewers on an emotional journey, well unraveling the concealed tunes and profound impact resonating within each cautiously constructed phrase. Within the depths with this touching analysis, we can explore the book is central harmonies, analyze their enthralling publishing model, and submit ourselves to the profound resonance that echoes in the depths of readers souls.

<https://py.bijouxmedusa.com/data/scholarship/index.jsp/feel%20to%20talk%20sinhala%20novels%20eleganttalks.pdf>

Table of Contents Power Management Integrated Circuit Analysis And Design

1. Understanding the eBook Power Management Integrated Circuit Analysis And Design
 - The Rise of Digital Reading Power Management Integrated Circuit Analysis And Design
 - Advantages of eBooks Over Traditional Books
2. Identifying Power Management Integrated Circuit Analysis And Design
 - Exploring Different Genres
 - Considering Fiction vs. Non-Fiction
 - Determining Your Reading Goals
3. Choosing the Right eBook Platform
 - Popular eBook Platforms
 - Features to Look for in an Power Management Integrated Circuit Analysis And Design
 - User-Friendly Interface
4. Exploring eBook Recommendations from Power Management Integrated Circuit Analysis And Design

- Personalized Recommendations
 - Power Management Integrated Circuit Analysis And Design User Reviews and Ratings
 - Power Management Integrated Circuit Analysis And Design and Bestseller Lists
5. Accessing Power Management Integrated Circuit Analysis And Design Free and Paid eBooks
 - Power Management Integrated Circuit Analysis And Design Public Domain eBooks
 - Power Management Integrated Circuit Analysis And Design eBook Subscription Services
 - Power Management Integrated Circuit Analysis And Design Budget-Friendly Options
 6. Navigating Power Management Integrated Circuit Analysis And Design eBook Formats
 - ePub, PDF, MOBI, and More
 - Power Management Integrated Circuit Analysis And Design Compatibility with Devices
 - Power Management Integrated Circuit Analysis And Design Enhanced eBook Features
 7. Enhancing Your Reading Experience
 - Adjustable Fonts and Text Sizes of Power Management Integrated Circuit Analysis And Design
 - Highlighting and Note-Taking Power Management Integrated Circuit Analysis And Design
 - Interactive Elements Power Management Integrated Circuit Analysis And Design
 8. Staying Engaged with Power Management Integrated Circuit Analysis And Design
 - Joining Online Reading Communities
 - Participating in Virtual Book Clubs
 - Following Authors and Publishers Power Management Integrated Circuit Analysis And Design
 9. Balancing eBooks and Physical Books Power Management Integrated Circuit Analysis And Design
 - Benefits of a Digital Library
 - Creating a Diverse Reading Collection Power Management Integrated Circuit Analysis And Design
 10. Overcoming Reading Challenges
 - Dealing with Digital Eye Strain
 - Minimizing Distractions
 - Managing Screen Time
 11. Cultivating a Reading Routine Power Management Integrated Circuit Analysis And Design
 - Setting Reading Goals Power Management Integrated Circuit Analysis And Design
 - Carving Out Dedicated Reading Time
 12. Sourcing Reliable Information of Power Management Integrated Circuit Analysis And Design

- Fact-Checking eBook Content of Power Management Integrated Circuit Analysis And Design
 - Distinguishing Credible Sources
13. Promoting Lifelong Learning
- Utilizing eBooks for Skill Development
 - Exploring Educational eBooks
14. Embracing eBook Trends
- Integration of Multimedia Elements
 - Interactive and Gamified eBooks

Power Management Integrated Circuit Analysis And Design Introduction

In today's digital age, the availability of Power Management Integrated Circuit Analysis And Design books and manuals for download has revolutionized the way we access information. Gone are the days of physically flipping through pages and carrying heavy textbooks or manuals. With just a few clicks, we can now access a wealth of knowledge from the comfort of our own homes or on the go. This article will explore the advantages of Power Management Integrated Circuit Analysis And Design books and manuals for download, along with some popular platforms that offer these resources. One of the significant advantages of Power Management Integrated Circuit Analysis And Design books and manuals for download is the cost-saving aspect. Traditional books and manuals can be costly, especially if you need to purchase several of them for educational or professional purposes. By accessing Power Management Integrated Circuit Analysis And Design versions, you eliminate the need to spend money on physical copies. This not only saves you money but also reduces the environmental impact associated with book production and transportation. Furthermore, Power Management Integrated Circuit Analysis And Design books and manuals for download are incredibly convenient. With just a computer or smartphone and an internet connection, you can access a vast library of resources on any subject imaginable. Whether you're a student looking for textbooks, a professional seeking industry-specific manuals, or someone interested in self-improvement, these digital resources provide an efficient and accessible means of acquiring knowledge. Moreover, PDF books and manuals offer a range of benefits compared to other digital formats. PDF files are designed to retain their formatting regardless of the device used to open them. This ensures that the content appears exactly as intended by the author, with no loss of formatting or missing graphics. Additionally, PDF files can be easily annotated, bookmarked, and searched for specific terms, making them highly practical for studying or referencing. When it comes to accessing Power Management Integrated Circuit Analysis And Design books and manuals, several platforms offer an extensive collection of resources. One such platform is Project Gutenberg, a nonprofit organization that provides over 60,000 free eBooks. These books are primarily in the public domain, meaning they

can be freely distributed and downloaded. Project Gutenberg offers a wide range of classic literature, making it an excellent resource for literature enthusiasts. Another popular platform for Power Management Integrated Circuit Analysis And Design books and manuals is Open Library. Open Library is an initiative of the Internet Archive, a non-profit organization dedicated to digitizing cultural artifacts and making them accessible to the public. Open Library hosts millions of books, including both public domain works and contemporary titles. It also allows users to borrow digital copies of certain books for a limited period, similar to a library lending system. Additionally, many universities and educational institutions have their own digital libraries that provide free access to PDF books and manuals. These libraries often offer academic texts, research papers, and technical manuals, making them invaluable resources for students and researchers. Some notable examples include MIT OpenCourseWare, which offers free access to course materials from the Massachusetts Institute of Technology, and the Digital Public Library of America, which provides a vast collection of digitized books and historical documents. In conclusion, Power Management Integrated Circuit Analysis And Design books and manuals for download have transformed the way we access information. They provide a cost-effective and convenient means of acquiring knowledge, offering the ability to access a vast library of resources at our fingertips. With platforms like Project Gutenberg, Open Library, and various digital libraries offered by educational institutions, we have access to an ever-expanding collection of books and manuals. Whether for educational, professional, or personal purposes, these digital resources serve as valuable tools for continuous learning and self-improvement. So why not take advantage of the vast world of Power Management Integrated Circuit Analysis And Design books and manuals for download and embark on your journey of knowledge?

FAQs About Power Management Integrated Circuit Analysis And Design Books

What is a Power Management Integrated Circuit Analysis And Design PDF? A PDF (Portable Document Format) is a file format developed by Adobe that preserves the layout and formatting of a document, regardless of the software, hardware, or operating system used to view or print it. **How do I create a Power Management Integrated Circuit Analysis And Design PDF?** There are several ways to create a PDF: Use software like Adobe Acrobat, Microsoft Word, or Google Docs, which often have built-in PDF creation tools. Print to PDF: Many applications and operating systems have a "Print to PDF" option that allows you to save a document as a PDF file instead of printing it on paper. Online converters: There are various online tools that can convert different file types to PDF. **How do I edit a Power Management Integrated Circuit Analysis And Design PDF?** Editing a PDF can be done with software like Adobe Acrobat, which allows direct editing of text, images, and other elements within the PDF. Some free tools, like PDFescape or Smallpdf, also offer basic editing capabilities. **How do I convert a Power Management Integrated Circuit Analysis And Design PDF to**

another file format? There are multiple ways to convert a PDF to another format: Use online converters like Smallpdf, Zamzar, or Adobe Acrobats export feature to convert PDFs to formats like Word, Excel, JPEG, etc. Software like Adobe Acrobat, Microsoft Word, or other PDF editors may have options to export or save PDFs in different formats. **How do I password-protect a Power Management Integrated Circuit Analysis And Design PDF?** Most PDF editing software allows you to add password protection. In Adobe Acrobat, for instance, you can go to "File" -> "Properties" -> "Security" to set a password to restrict access or editing capabilities. Are there any free alternatives to Adobe Acrobat for working with PDFs? Yes, there are many free alternatives for working with PDFs, such as: LibreOffice: Offers PDF editing features. PDFsam: Allows splitting, merging, and editing PDFs. Foxit Reader: Provides basic PDF viewing and editing capabilities. How do I compress a PDF file? You can use online tools like Smallpdf, ILovePDF, or desktop software like Adobe Acrobat to compress PDF files without significant quality loss. Compression reduces the file size, making it easier to share and download. Can I fill out forms in a PDF file? Yes, most PDF viewers/editors like Adobe Acrobat, Preview (on Mac), or various online tools allow you to fill out forms in PDF files by selecting text fields and entering information. Are there any restrictions when working with PDFs? Some PDFs might have restrictions set by their creator, such as password protection, editing restrictions, or print restrictions. Breaking these restrictions might require specific software or tools, which may or may not be legal depending on the circumstances and local laws.

Find Power Management Integrated Circuit Analysis And Design :

feel to talk sinhala novels eleganttalks

[fidic procurement procedures guide 1st ed 2011 download](#)

fast cars clean bodies decolonization and the reordering of french culture october books by ross kristin 1996 02 28 paperback

[financial accounting 8th edition answers](#)

financial accounting 13th edition meigs and

[ford escape mazda tribute automotive repair manual 2001 2012 haynes automotive repair manuals by mike stubblefield 1 oct 2013 paperback](#)

[fluid mechanics solutions for gate questions](#)

financial markets institutions mishkin answers spados

festival and special event management 5th edition

[footloose sheet music kenny loggins](#)

faster than lightning my autobiography usain bolt

financial accounting 7th edition kimmel

foundation of heat transfer solution

fluid mechanics and its applications gupta and gupta download

[ford explorer sport trac repair manual pdf](#)

Power Management Integrated Circuit Analysis And Design :

International Management: Text and Cases by Beamish This book, looking at how firms become and remain international in scope, has been used in hundreds of universities and colleges in over twenty countries. International Management: Text and Cases (McGraw-Hill ... International Management: Text and Cases (McGraw-Hill Advanced Topics in Global Management) by Paul W. Beamish; Andrew Inkpen; Allen Morrison - ISBN 10: ... International Management: Text and Cases - Amazon.com International Management · Text and Cases ; Buy Used · Very Good ; 978-0256193497. See all details ; Important information. To report an issue with this product, ... International Management: Text and Cases Beamish, Morrison, Rosenzweig and Inkpen's, International Management, 5e is an international, international- management book. It looks at how firms become ... International Management: Text and Cases Beamish, Morrison, Rosenzweig and Inkpen , four highly-experienced international business teachers/researchers, offer an integrated text and casebook which has ... International Management: Text and Cases International Management: Text and Cases. Authors, Paul W. Beamish, Allen J. Morrison, Philip M. Rosenzweig. Edition, 3. Publisher, Irwin, 1997. Original from ... International Management Beamish Text International Management Beamish Text. 1. International Management Beamish. Text. Policies and Practices for Multinational Enterprises. International Business ... International Management by Paul W. Beamish Sep 1, 1990 — It is about the experiences of firms of all sizes, from any countries, as they come to grips with an increasingly competitive global environment. International Management: Text and Cases International Management: Text and Cases ... An exploration of the experiences of firms of all sizes, from many countries and regions, as they come to grips with ... International Management: Text and Cases by Beamish Apr 1, 2003 — International Management: Text and Cases. Beamish, Paul Beamish, Andrew Inkpen ... Focusing on issues of international management common and ... Upper Dash Removal? May 4, 2021 — Hey all! I need a bit of advice/info - I'm trying to retrieve my driver's license from the upper dash - it slid between the windshield and ... 2019 honda pilot, i need step by step to replace the dash Feb 27, 2021 — 2019 honda pilot, i need step by step to replace the dash panel - Answered by a verified Mechanic for Honda. how hard to take apart the entire dash??? Nov 6, 2005 — 30 minutes to a hr depends on how many times u have done it already like there are like 5 or 6 bolts that holds the dash on 10 mm and taking ... Dashboard Removal/Installation - Honda Manuals Honda EP3 Manual Online: Dashboard Removal/Installation. SRS components are located in this area. Review the SRS component locations (see page 23-13) and ... 2022 Instructions -

www.collegehillshonda.com Pull away the door opening seal, and remove the driver's dashboard side lid. DOOR OPENING. SEAL. (Pull away.) 3 CLIPS. 2 RETAINING. TABS. DRIVER'S. Honda Pilot 2016-up 99-7811 Feb 9, 2016 — Dash Disassembly. 1. Open the passenger door and remove the dash trim on the side of the dash. (Figure A). 2. Open the glove box and remove.

Leyland 344 Tractor Operators Manual Operator's Manual · THIS IS A MANUAL PRODUCED BY JENSALES INC. WITHOUT THE AUTHORIZATION OF · LEYLAND OR IT'S SUCCESSORS. LEYLAND AND IT'S SUCCESSORS · ARE NOT ... Leyland Tractor Manuals Manuals · *Leyland Key Chain/\$1.25 or Free w/\$10 Purchase · Handbook/270 - AKD7487A · Handbook/272 - AKD7487 · Handbook/344 - AKD7416 · Handbook/384 - AKD7416/A. Leyland "344" Tractor Operator Handbook Manual A 70 page Operator's Handbook for the Leyland "344" Tractor. Reproduced from an original that would have been supplied with the tractor when new. Leyland 344 Tractor Operator's Manual Browse the free pdf preview of the Leyland 344 Tractor Operators Manual (mobile users click here). Manuals are specific to your make and model. Misc. Tractors Leyland 344 Dsl Service Manual Our Misc. Tractors Leyland 344 Dsl Service Manual is a high-quality reproduction of factory manuals from the OEM (Original Equipment Manufacturer). Leyland 344 Operator's Handbook Operating Instructions. Leyland Nuffield 344 Tractor Handbook. Reproduced from an original handbook that would have been supplied with the tractor when new. Leyland 344 384 Workshop Manual Workshop Manual for the Leyland 344 and 384 Tractors. Covers body work, brakes, clutch, cooling system, electrical, engine, final drive & reduction gears, front ... Leyland 250, 270, 344, 384 Tractor Service Manual Leyland 250, 270, 344, 384 Tractor Service Manual ; ASIN, B011T12G6O ; Unknown Binding, 0 pages ; Customer Reviews, 4.6 out of 5 stars 5Reviews ; Important ... Leyland Nuffield Tractor 344 & 384 Workshop Service ... Leyland Nuffield Tractor 344 & 384 Workshop Service Manual ; AGRIMANUALS (30631) ; Approx. \$35.55. + \$17.78 shipping ; Breathe easy. Returns accepted. ; People want ... Leyland 250, 270, 344, 384 Tractor Service Manual Our Repair Manual, also known as service manual or shop manual show you how to disassemble and reassemble your tractor. These manuals are authentic ...