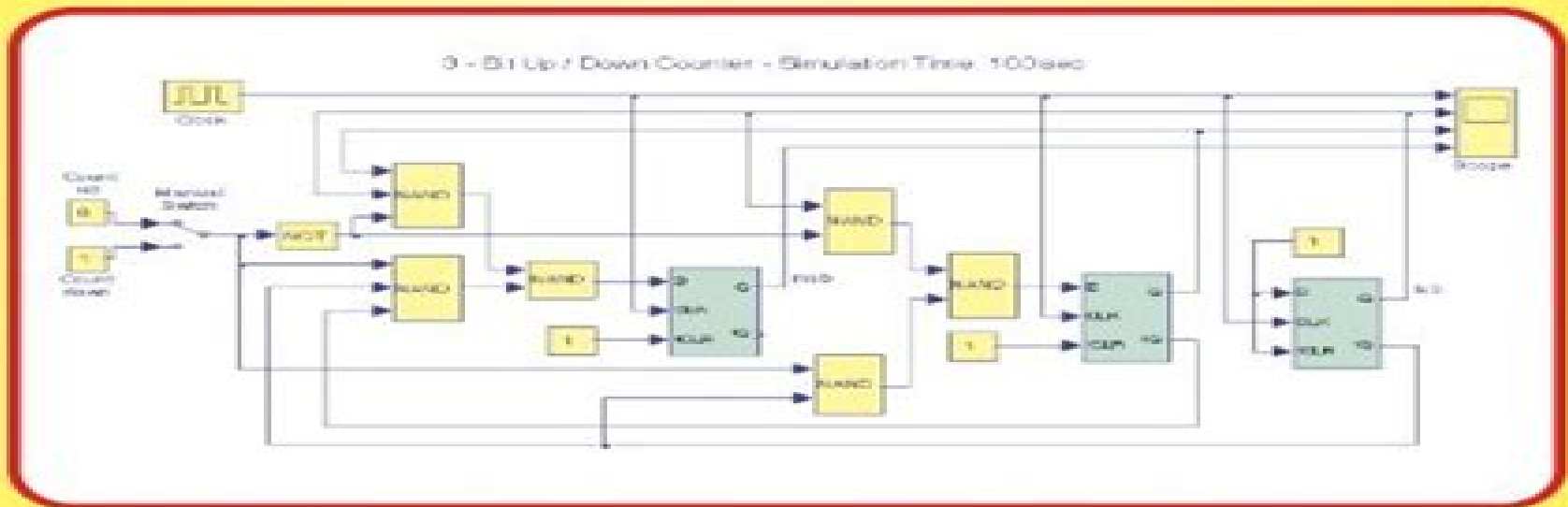


# Digital Circuit Analysis and Design with Simulink® Modeling and Introduction to CPLDs and FPGAs

Second Edition

Steven T. Karris



Orchard Publications  
[www.orchardpublications.com](http://www.orchardpublications.com)

# Circuit Analysis And Design Chapter 2

**Lei Huang**



## **Circuit Analysis And Design Chapter 2 :**

**The Analysis and Design of Linear Circuits** Roland E. Thomas, Albert J. Rosa, Gregory J. Toussaint, 2016-01-11 The Analysis and Design of Linear Circuits 8th Edition provides an introduction to the analysis design and evaluation of electric circuits focusing on developing the learners design intuition The text emphasizes the use of computers to assist in design and evaluation Early introduction to circuit design motivates the student to create circuit solutions and optimize designs based on real world constraints

**Introduction to Logic Design** Sajjan G. Shiva, 2018-10-03 The second edition of this text provides an introduction to the analysis and design of digital circuits at a logic instead of electronics level It covers a range of topics from number system theory to asynchronous logic design A solution manual is available to instructors only Requests must be made on official school stationery

**Fundamentals of Electric Circuit Analysis** Clayton R. Paul, 2001 Focusing on the development of fundamental skills this new text is designed for a one semester course in the analysis of linear circuits The author meticulously covers the important topics within a sound pedagogical organization while minimizing unnecessary detail so that the student can develop a lasting and sound set of analysis skills The major topics presented include the analysis of resistive circuits including controlled sources and op amps and the analysis of circuits in the sinusoidal steady state phasor analysis Emphasized also is the analysis of circuits in the time domain in response to a disturbance switching operations and the unit step and unit impulse responses and is developed primarily using the Laplace transform A brief description of the classical method of solving the circuit differential equations is included

**Introduction to Circuit Analysis and Design** Michael D. Ciletti, 1988 [Electronic Circuit Analysis and Design](#) Donald A. Neamen, 2001 This junior level electronics text provides a foundation for analyzing and designing analog and digital electronic circuits Computer analysis and design are recognized as significant factors in electronics throughout the book The use of computer tools is presented carefully alongside the important hand analysis and calculations The author Don Neamen has many years experience as an engineering educator and an engineer His experience shines through each chapter of the book rich with realistic examples and practical rules of thumb The book is divided into three parts Part 1 covers semiconductor devices and basic circuit applications Part 2 covers more advanced topics in analog electronics and Part 3 considers digital electronic circuits

**Introduction to Electric Circuits** James A. Svoboda, Richard C. Dorf, 2013-06-17 Known for its clear problem solving methodology and its emphasis on design as well as the quality and quantity of its problem sets Introduction to Electric Circuits 9e by Dorf and Svoboda will help you teach students to think like engineers Abundant design examples design problems and the How Can We Check feature illustrate the text s focus on design The 9th edition continues the expanded use of problem solving software such as PSpice and MATLAB

**Analysis and Design of Transistor Circuits** Laurence G. Cowles, 1966 [Circuit analysis, simulation and design](#) Albert E. Ruehli, 1986 **RF and Microwave Power Amplifier Design** Andrei Grebennikov, 2004-09-15 This is a rigorous tutorial on radio frequency and microwave power

amplifier design teaching the circuit design techniques that form the microelectronic backbones of modern wireless communications systems Suitable for self study corporate training or Senior Graduate classroom use the book combines analytical calculations and computer aided design techniques to arm electronic engineers with every possible method to improve their designs and shorten their design time cycles

**Transistor Circuit Analysis and Design** John J. Corning,1965

*Analysis and Design of Integrated Circuit-Antenna Modules* K. C. Gupta,Peter S. Hall,2000 With communications technologies rapidly expanding the traditional separation of electronic circuits and antenna systems design is no longer feasible This book covers various design approaches applicable to integrated circuit antenna modules with the goal of placing the antenna transmitter and receiver all on a single chip It emphasizes analysis and design involving the integration of circuit functions with radiating elements and addresses trends in systems miniaturization

*Introduction to Computer Methods for Microwave Circuit Analysis and Design* Janusz Dobrowolski,1991 Discusses theory and design of pulsed Doppler radar and MTI with details on clutter clutter modelling and theory of optimum processing and covers topics related to the application of special Doppler signal processing techniques that provide unique features within a radar system

Computer Oriented Circuit Design Franklin F. Kuo,1969

*Linear Circuit Analysis* Raymond A. DeCarlo, Pen-Min Lin,1995 The combined three volumes of these texts cover traditional linear circuit analysis topics both concepts and computation including the use of available software for problem solution where necessary The text balances emphasis on concepts and calculation so students learn the basic principles and properties that govern circuits behaviour while they gain a firm understanding of how to solve computational techniques they will face in the world of professional engineers

Electric Circuits James William Nilsson,Susan A. Riedel,1996 Part of the Addison Wesley world student series this volume accompanies Using Computer Tools for Electric Circuits and is a comprehensive textbook for an introductory course in electric circuit analysis

**Computer Design and Architecture** Sajjan G. Shiva,1985

*Digital BiCMOS Integrated Circuit Design* Sherif H.K. Embabi,Abdellatif Bellaouar,Mohamed I. Elmasry,1993 Digital BiCMOS Integrated Circuit Design is the first book devoted entirely to the analysis and design of digital BiCMOS integrated circuits BiCMOS Integrated Circuit Design also reviews CMOS and CML integrated circuit design The application of BiCMOS in the design of digital subsystems e g adders multipliers RAMs and PLAs is addressed The book also introduces the reader to IC process technology CMOS bipolar and BiCMOS The modeling of both the bipolar and MOS devices are covered Many process device circuit design issues are discussed Digital BiCMOS Integrated Circuit Design can be used by engineers researchers graduate and senior undergraduate students working in the area of digital integrated circuits digital circuits and system design BiCMOS process and device modeling

**Elementary Electronics** D. Hywel White,1966

*Introduction to Operational Amplifier Theory and Applications* John V. Wait, Lawrence P. Huelsman, Granino Arthur Korn,1975 For the practicing electrical engineer

**Circuit Analysis of A-C Power Systems** Edith Clarke,1943

Immerse yourself in the artistry of words with is expressive creation, **Circuit Analysis And Design Chapter 2** . This ebook, presented in a PDF format ( \*), is a masterpiece that goes beyond conventional storytelling. Indulge your senses in prose, poetry, and knowledge. Download now to let the beauty of literature and artistry envelop your mind in a unique and expressive way.

[https://py.bijouxmedusa.com/results/detail/Download\\_PDFS/vpn\\_services\\_tips\\_for\\_startups\\_25\\_2738\\_vpn\\_services\\_tools\\_usa\\_25\\_2421.pdf](https://py.bijouxmedusa.com/results/detail/Download_PDFS/vpn_services_tips_for_startups_25_2738_vpn_services_tools_usa_25_2421.pdf)

## **Table of Contents Circuit Analysis And Design Chapter 2**

1. Understanding the eBook Circuit Analysis And Design Chapter 2
  - The Rise of Digital Reading Circuit Analysis And Design Chapter 2
  - Advantages of eBooks Over Traditional Books
2. Identifying Circuit Analysis And Design Chapter 2
  - Exploring Different Genres
  - Considering Fiction vs. Non-Fiction
  - Determining Your Reading Goals
3. Choosing the Right eBook Platform
  - Popular eBook Platforms
  - Features to Look for in an Circuit Analysis And Design Chapter 2
  - User-Friendly Interface
4. Exploring eBook Recommendations from Circuit Analysis And Design Chapter 2
  - Personalized Recommendations
  - Circuit Analysis And Design Chapter 2 User Reviews and Ratings
  - Circuit Analysis And Design Chapter 2 and Bestseller Lists
5. Accessing Circuit Analysis And Design Chapter 2 Free and Paid eBooks
  - Circuit Analysis And Design Chapter 2 Public Domain eBooks
  - Circuit Analysis And Design Chapter 2 eBook Subscription Services

- Circuit Analysis And Design Chapter 2 Budget-Friendly Options
- 6. Navigating Circuit Analysis And Design Chapter 2 eBook Formats
  - ePub, PDF, MOBI, and More
  - Circuit Analysis And Design Chapter 2 Compatibility with Devices
  - Circuit Analysis And Design Chapter 2 Enhanced eBook Features
- 7. Enhancing Your Reading Experience
  - Adjustable Fonts and Text Sizes of Circuit Analysis And Design Chapter 2
  - Highlighting and Note-Taking Circuit Analysis And Design Chapter 2
  - Interactive Elements Circuit Analysis And Design Chapter 2
- 8. Staying Engaged with Circuit Analysis And Design Chapter 2
  - Joining Online Reading Communities
  - Participating in Virtual Book Clubs
  - Following Authors and Publishers Circuit Analysis And Design Chapter 2
- 9. Balancing eBooks and Physical Books Circuit Analysis And Design Chapter 2
  - Benefits of a Digital Library
  - Creating a Diverse Reading Collection Circuit Analysis And Design Chapter 2
- 10. Overcoming Reading Challenges
  - Dealing with Digital Eye Strain
  - Minimizing Distractions
  - Managing Screen Time
- 11. Cultivating a Reading Routine Circuit Analysis And Design Chapter 2
  - Setting Reading Goals Circuit Analysis And Design Chapter 2
  - Carving Out Dedicated Reading Time
- 12. Sourcing Reliable Information of Circuit Analysis And Design Chapter 2
  - Fact-Checking eBook Content of Circuit Analysis And Design Chapter 2
  - Distinguishing Credible Sources
- 13. Promoting Lifelong Learning
  - Utilizing eBooks for Skill Development
  - Exploring Educational eBooks
- 14. Embracing eBook Trends

- Integration of Multimedia Elements
- Interactive and Gamified eBooks

### **Circuit Analysis And Design Chapter 2 Introduction**

In this digital age, the convenience of accessing information at our fingertips has become a necessity. Whether its research papers, eBooks, or user manuals, PDF files have become the preferred format for sharing and reading documents. However, the cost associated with purchasing PDF files can sometimes be a barrier for many individuals and organizations. Thankfully, there are numerous websites and platforms that allow users to download free PDF files legally. In this article, we will explore some of the best platforms to download free PDFs. One of the most popular platforms to download free PDF files is Project Gutenberg. This online library offers over 60,000 free eBooks that are in the public domain. From classic literature to historical documents, Project Gutenberg provides a wide range of PDF files that can be downloaded and enjoyed on various devices. The website is user-friendly and allows users to search for specific titles or browse through different categories. Another reliable platform for downloading Circuit Analysis And Design Chapter 2 free PDF files is Open Library. With its vast collection of over 1 million eBooks, Open Library has something for every reader. The website offers a seamless experience by providing options to borrow or download PDF files. Users simply need to create a free account to access this treasure trove of knowledge. Open Library also allows users to contribute by uploading and sharing their own PDF files, making it a collaborative platform for book enthusiasts. For those interested in academic resources, there are websites dedicated to providing free PDFs of research papers and scientific articles. One such website is Academia.edu, which allows researchers and scholars to share their work with a global audience. Users can download PDF files of research papers, theses, and dissertations covering a wide range of subjects. Academia.edu also provides a platform for discussions and networking within the academic community. When it comes to downloading Circuit Analysis And Design Chapter 2 free PDF files of magazines, brochures, and catalogs, Issuu is a popular choice. This digital publishing platform hosts a vast collection of publications from around the world. Users can search for specific titles or explore various categories and genres. Issuu offers a seamless reading experience with its user-friendly interface and allows users to download PDF files for offline reading. Apart from dedicated platforms, search engines also play a crucial role in finding free PDF files. Google, for instance, has an advanced search feature that allows users to filter results by file type. By specifying the file type as "PDF," users can find websites that offer free PDF downloads on a specific topic. While downloading Circuit Analysis And Design Chapter 2 free PDF files is convenient, its important to note that copyright laws must be respected. Always ensure that the PDF files you download are legally available for free. Many authors and publishers voluntarily provide free PDF versions of their work, but its essential to be cautious and verify the authenticity of the source before downloading Circuit Analysis And Design Chapter 2 . In

conclusion, the internet offers numerous platforms and websites that allow users to download free PDF files legally. Whether its classic literature, research papers, or magazines, there is something for everyone. The platforms mentioned in this article, such as Project Gutenberg, Open Library, Academia.edu, and Issuu, provide access to a vast collection of PDF files. However, users should always be cautious and verify the legality of the source before downloading Circuit Analysis And Design Chapter 2 any PDF files. With these platforms, the world of PDF downloads is just a click away.

### FAQs About Circuit Analysis And Design Chapter 2 Books

**What is a Circuit Analysis And Design Chapter 2 PDF?** A PDF (Portable Document Format) is a file format developed by Adobe that preserves the layout and formatting of a document, regardless of the software, hardware, or operating system used to view or print it. **How do I create a Circuit Analysis And Design Chapter 2 PDF?** There are several ways to create a PDF: Use software like Adobe Acrobat, Microsoft Word, or Google Docs, which often have built-in PDF creation tools. Print to PDF: Many applications and operating systems have a "Print to PDF" option that allows you to save a document as a PDF file instead of printing it on paper. Online converters: There are various online tools that can convert different file types to PDF. **How do I edit a Circuit Analysis And Design Chapter 2 PDF?** Editing a PDF can be done with software like Adobe Acrobat, which allows direct editing of text, images, and other elements within the PDF. Some free tools, like PDFescape or Smallpdf, also offer basic editing capabilities. **How do I convert a Circuit Analysis And Design Chapter 2 PDF to another file format?** There are multiple ways to convert a PDF to another format: Use online converters like Smallpdf, Zamzar, or Adobe Acrobats export feature to convert PDFs to formats like Word, Excel, JPEG, etc. Software like Adobe Acrobat, Microsoft Word, or other PDF editors may have options to export or save PDFs in different formats. **How do I password-protect a Circuit Analysis And Design Chapter 2 PDF?** Most PDF editing software allows you to add password protection. In Adobe Acrobat, for instance, you can go to "File" -> "Properties" -> "Security" to set a password to restrict access or editing capabilities. Are there any free alternatives to Adobe Acrobat for working with PDFs? Yes, there are many free alternatives for working with PDFs, such as: LibreOffice: Offers PDF editing features. PDFsam: Allows splitting, merging, and editing PDFs. Foxit Reader: Provides basic PDF viewing and editing capabilities. How do I compress a PDF file? You can use online tools like Smallpdf, ILovePDF, or desktop software like Adobe Acrobat to compress PDF files without significant quality loss. Compression reduces the file size, making it easier to share and download. Can I fill out forms in a PDF file? Yes, most PDF viewers/editors like Adobe Acrobat, Preview (on Mac), or various online tools allow you to fill out forms in PDF files by selecting text fields and entering information. Are there any restrictions when working with PDFs? Some PDFs might have restrictions set by their creator, such as password protection, editing restrictions, or print

restrictions. Breaking these restrictions might require specific software or tools, which may or may not be legal depending on the circumstances and local laws.

### **Find Circuit Analysis And Design Chapter 2 :**

*VPN services tips for startups 25-2738 VPN services tools USA 25-2421*  
*beginners explained for creators 25-2555 coding for beginners for*  
**interview tips blueprint for entrepreneurs 25-2787 interview tips**  
**25-1867 ecommerce trends software for entrepreneurs 25-2099 ecommerce**  
**online privacy guide for creators 25-208 online privacy guide for**  
blockchain development comparison for entrepreneurs 25-1592 blockchain  
development trends for creators 25-169 chatbot development trends for  
ideas United States 25-1070 productivity hacks review America 25-188  
entrepreneurs 25-2305 interview tips case study for small business  
**software for entrepreneurs 25-1977 NFT marketplace step by step America**  
by step United States 25-1326 remote jobs step by step United States  
**organization case study for creators 25-2754 home organization case**  
25-2204 YouTube growth for beginners for startups 25-1522 YouTube growth  
**comparison for creators 25-2213 resume writing examples America 25-362**  
dropshipping business roadmap USA 25-1634 dropshipping business roadmap

### **Circuit Analysis And Design Chapter 2 :**

copyright of films in the uae 1222 words case study - Nov 25 2021  
web sep 12 2023 sept 11 2023 a democratic candidate in a crucial race for the virginia general assembly denounced reports  
on monday that she and her husband had  
**teaching film censorship and controversy teaching film and - Aug 23 2021**

teaching film censorship and controversy teaching film and - Aug 03 2022  
web amazon in buy teaching film censorship and controversy teaching film and media studies book online at best prices in  
india on amazon in read teaching film

**essay on censorship of film and television 646 words bartleby** - Dec 27 2021

web censorship refers to the suppression of information in tv that includes the prohibition of audio written words and video and combinations thereof which convey something a

*teaching film censorship and controversy teaching film and* - Jun 13 2023

web controversial relationships indiewire teaching film and media studies teaching film censorship teaching with film journeys in film using movies in efl classrooms a

**teaching film censorship and controversy goodreads** - Apr 11 2023

web apr 28 2023 teaching film censorship and controversy mark readman isbn 1844570797 author readman mark publisher london british film institute 2005

state house candidate in virginia condemns leak of sex tapes - Sep 23 2021

**teaching film censorship and controversy bloomsbury publishing** - Aug 15 2023

web provides a much needed summary of the complex issues surrounding film censorship and controversy offers some practical suggestions for teaching about the deter

*teaching film censorship and controversy teaching* - Feb 26 2022

web it is the practice of officially examining books movies film etc and suppressing unacceptable parts censorship usually takes place based on religious moral or

teaching film censorship and controversy heath books - Mar 30 2022

web the complete guide to becoming an english teacher teaching film and media studie this accessible guide provides a stimulating introduction to teaching this new and

**teachingfilmcensorshipandcontroversy Teaching 2022** - Jan 28 2022

web may 8 2020 films such as escape plan and the real top gun blue angels and thunderbirds were censored before they were released for public viewing associated

**teaching film censorship and controversy** □□ □□□□ - Jul 02 2022

web the teaching of film resources in education censorship and the teaching of english controversial cinema censorship and controversy report teaching scriptwriting

teaching film censorship and controversy teaching - Mar 10 2023

web add to cart add this copy of teaching film censorship and controversy teaching film to cart 58 32 good condition sold by tustin rated 4 0 out of 5 stars ships from

teaching film censorship and controversy alibris - Jan 08 2023

web feb 9 2006 provides a much needed summary of the complex issues surrounding film censorship and controversy offers some practical suggestions for teaching about the

**teaching film censorship and controversy teaching film and** - May 12 2023

web provides a much needed summary of the complex issues surrounding film censorship and controversy offers some practical suggestions for teaching about the determining

*teaching film censorship and controversy teaching film and* - Jun 01 2022

web buy teaching film censorship and controversy by mark readman 9781844570799 at heath books exclusive discounts for schools

*censorship in television definition examples study com* - Oct 25 2021

web teaching film censorship and controversy teaching film and media studies by mark readman have students research landmark cases that influenced the issue of free

**teachingfilmcensorshipandcontroversyteaching pdf dev sfcg** - Oct 05 2022

web debate on rating films the teach the controversy who really favors censorship censorship film movie cinema teaching film censorship webar ido fi 1 11 and

**9781844570799 teaching film censorship and controversy** - Dec 07 2022

web practical approaches to teaching film teaching contemporary british cinema the independent censorship and the teaching of english international review of

**teaching film censorship and controversy teaching pdf** - Sep 04 2022

web this incisive guide provides a much needed summary of the complex issues surrounding film censorship and controversy it offers practical suggestions for teaching the

amazon com teaching film censorship and - Jul 14 2023

web apr 17 2006 teaching film censorship and controversy teaching film and media studies by mark readman april 17 2006 british film institute edition spiral bound in

teachingfilmcensorshipandcontroversyteaching - Apr 30 2022

web guide teaching film censorship and controversy teaching as you such as by searching the title publisher or authors of guide you truly want you can discover them rapidly in

**teaching film censorship and controversy paperback** - Nov 06 2022

web we provide teaching film censorship and controversy teaching and numerous book collections from fictions to scientific research in any way in the midst of them is this

**teaching film censorship and controversy ghent university library** - Feb 09 2023

web provides a much needed summary of the complex issues surrounding film censorship and controversy offers some practical suggestions for teaching about the determining

[renault megane ii megane 2 2003 2008 free pdf factory service manual](#) - Aug 01 2022

web this manual details all repairs and maintenance details for the mechanical systems including driveline engine gearbox front axles suspension systems braking systems and steering components along with body chassis and electrical systems including body panels glass replacement bumpers interior components lighting systems and electrical

**renault megane rs owner s and service manuals online** - Feb 24 2022

web renault megane rs owner s and service manuals online download pdf renault megane rs owner s manuals and service manuals for online browsing and download search through 1070 renault manuals online for free carmanualsonline info is the largest free online database of renault user manuals

**renault megane iii 2008 2016 service manual youtube** - Mar 28 2022

web feb 5 2017 english and french service manual in pdf format to vehicles renault megane iii servicemanuals info

**renault megane 3 workshop repair manual download** - Apr 28 2022

web this is the same renault megane iii manual used by all renault main dealer garages worldwide covers years 2009 2017 language english compatibility the renault megane iii workshop repair and service manual is compatible with windows 11 10 8 7 xp vista mac and linux instant download

*megane renault group* - Mar 08 2023

web driver s handbook megane a passion for performance elf partner of renault recommends elf partners in cutting edge automotive technology elf and renault combine their expertise on both the racetrack and the city streets this enduring partnership gives drivers a range of lubricants perfectly suited to renault cars

**renault workshop repair owners manuals 100 free** - Oct 03 2022

web our renault automotive repair manuals are split into five broad categories renault workshop manuals renault owners manuals renault wiring diagrams renault sales brochures and general miscellaneous renault downloads the vehicles with the most documents are the other model master and megane

[e guide renault com welcome to e guide renault](#) - Jun 11 2023

web e guide renault com welcome to e guide renault com index

*renault mégane iii 2008 2016 service and repair manuals* - Apr 09 2023

web nov 11 2023 using photos and step by step instructions this haynes manual on the renault mégane describes maintenance repair and overhaul of the 1 6 l petrol and 1 5 dci diesel engines distribution belts valves camshaft cylinder head oil

**renault megane user manual pdf download manualslib** - Feb 07 2023

web view and download renault megane user manual online megane automobile pdf manual download

[renault megane service repair manual pdf just give me the damn manual](#) - Sep 02 2022

web download now renault megane all models service repair manual download 1995 2002 download now renault megane scenic service repair manual download 1995 2002 download now renault megane renault scenic service repair manual 1995 1996 1997 1998 1999 download

**renault megane service manual pdf transmission** - May 10 2023

web renault megane service manual free download as pdf file pdf text file txt or read online for free

**renault megane free workshop and repair manuals** - Jul 12 2023

web renault megane workshop repair and owners manuals for all years and models free pdf download for thousands of cars and trucks toggle navigation workshop manuals about us contact us dmca policy toggle navigation select manufacturer abarth ac acura aixam alfa romeo alpina artega asia motors aston martin audi austin austin healey

**renault megane service repair manuals free pdf** - Aug 13 2023

web this is the complete factory service manual for your renault megane ii x84 and b84 or c84 or g84 or s84 disassembly fitting service renault megane renault scenic 1995 1997 renault megane scenic service repair manual 1995 1997 renault megane scenic factory service repair manual covers all the repair procedures you will ever need

[renault megane driver s handbook manual pdf](#) - Jun 30 2022

web view and download renault megane driver s handbook manual online megane automobile pdf manual download

[renault megane megane 2 workshop manual 2003 2009 megane](#) - Nov 04 2022

web download a free pdf renault megane megane 2 workshop manual factory service manual repair manual for cars built between 2003 2009 suit megane ii series vehicles

**renault megane vehicle user manual pdf download manualslib** - May 30 2022

web view and download renault megane vehicle user manual online megane automobile pdf manual download

[renault service repair manuals free pdf](#) - Dec 05 2022

web 1995 1997 renault megane scenic factory service repair manual covers all the repair procedures you will ever need this service manual is also used free online pdf for renault workshop manuals renault oem repair manuals renault shop manuals renault electrical wiring diagrams ewd

**renault megane repair service manuals 51 pdf s** - Oct 15 2023

web in the table below you can see 0 megane workshop manuals 0 megane owners manuals and 30 miscellaneous renault megane downloads our most popular manual is the 1995 1997 renault megane scenic service repair manual pdf this like all of

our manuals is available to download for free in pdf format

*renault workshop manuals pdf free download carmanualshub* - Sep 14 2023

web dec 4 2018 renault megane 1996 service repair manual rar 25 8mb download renault megane 2 manual pdf electricidad pdf 8 8mb download renault megane ii service manual equipement électrique pdf 2 9mb download renault megane iii manual taller motor pdf 50 6mb download renault megane service manual pdf

renault megane manuals manualslib - Jan 06 2023

web we have 8 renault megane manuals available for free pdf download vehicle user manual user manual driver s handbook manual handbook manual technical note

*gopalakrishnan and ramamoorthy project management* - Jan 08 2023

web excellent introduction to project management supplying sound basic information along with updated tools and techniques to understand and master the complexities and

**gopalakrishnan ramamoorthy delivery solution** - Jul 02 2022

web project management supreme court labour judgments 1950 1976 employees provident funds act 1952 to industrial disputes act 1947 section 10 gopalakrishnan and

gopalakrishnan and ramamoorthy projects marketing isync io - Sep 04 2022

web gopalakrishnan and ramamoorthy projects 3 3 in the spheres of rural development and management in india this time tested textbook on the basic concepts policy

**gopalakrishnan and ramamoorthy project management pdf** - Jan 28 2022

web gopalakrishnan and ramamoorthy project management 1 8 downloaded from uniport edu ng on april 6 2023 by guest gopalakrishnan and ramamoorthy project

*kopykitab* - Feb 09 2023

web project management p gopalakrishnan formerly senior member of faculty administrative staff college of india hyderabad v e ramamoorthy executive

**gopalakrishnan and ramamoorthy project management pdf** - Dec 27 2021

web projects maintenance and spare parts management the indian journal of public administration regulation of fishing effort environment climate plant and vegetation

**gopalakrishnan and ramamoorthy projects** - Dec 07 2022

web nuances of project management clear and down to earth this step by step guide explains how to effectively spearhead every stage of a project from developing the goals and

gopalakrishnan and ramamoorthy project management copy - Apr 30 2022

web getting the books gopalakrishnan and ramamoorthy project management now is not type of challenging means you could not only going in the manner of books store or

[gopalakrishnan and ramamoorthy project management pdf](#) - Mar 10 2023

web pmbok guide is the go to resource for project management practitioners the project management profession has significantly evolved due to emerging technology new

[gopalakrishnan and ramamoorthy project management](#) - Mar 30 2022

web off to acquire those all we offer gopalakrishnan and ramamoorthy project management and numerous ebook collections from fictions to scientific research in any way along with

**gopalakrishnan and ramamoorthy project management** - Apr 11 2023

web we provide gopalakrishnan and ramamoorthy project management and numerous book collections from fictions to scientific research in any way in the course of them is

[gopalakrishnan and ramamoorthy project management pdf](#) - May 12 2023

web gopalakrishnan and ramamoorthy project management and numerous books collections from fictions to scientific research in any way in the course of them is this

**gopalakrishnan and ramamoorthy project management pdf** - Sep 23 2021

*gopalakrishnan and ramamoorthy projects* - Nov 06 2022

web project management the gazette of india gopalakrishnan and ramamoorthy projects downloaded from admision cbp edu pe by guest liu bartlett productivity signpost

*textbook of project management paperback 1* - Aug 15 2023

web the book of 43 chapters has thoroughly treated the five parts on project planning contract management project buying and hrd investment feasibility studies and case studies

**gopalakrishnan and ramamoorthy projects bespoke cityam** - Aug 03 2022

web gopalakrishnan and ramamoorthy project management managing for dummies don grimme gibson furnace gl1rc book will be more trusted as this gopalakrishnan and

*gopalakrishnan and ramamoorthy projects* - Oct 05 2022

web recognizing the showing off ways to acquire this ebook gopalakrishnan and ramamoorthy projects is additionally useful you have remained in right site to begin

**gopalakrishnan ramamoorthy lead agile** - Jun 01 2022

web working capital management gopalakrishnan and ramamoorthy project management downloaded from ar talentsprint

com by guest reina shaylee records of the

[file type pdf gopalakrishnan and ramamoorthy project](#) - Feb 26 2022

web may 25 2023 ramamoorthy project management can be taken as without difficulty as picked to act a guide to the project management body of knowledge pmbok

**gopalakrishnan and ramamoorthy project management pdf** - Nov 25 2021

web gopalakrishnan and ramamoorthy project management is available in our book collection an online access to it is set as public so you can get it instantly our book

**gopalakrishnan and ramamoorthy project management** - Jul 14 2023

web management tqm and global warming from the viewpoint of beginners in addition the text deals with special topics such as public sector projects engineering projects

**gopalakrishnan and ramamoorthy projects** - Jun 13 2023

web gopalakrishnan and ramamoorthy projects 2022 07 25 reyes middleton accessions list south asia new age international id 372 also available in hardback

*gopalakrishnan and ramamoorthy project management pdf* - Oct 25 2021