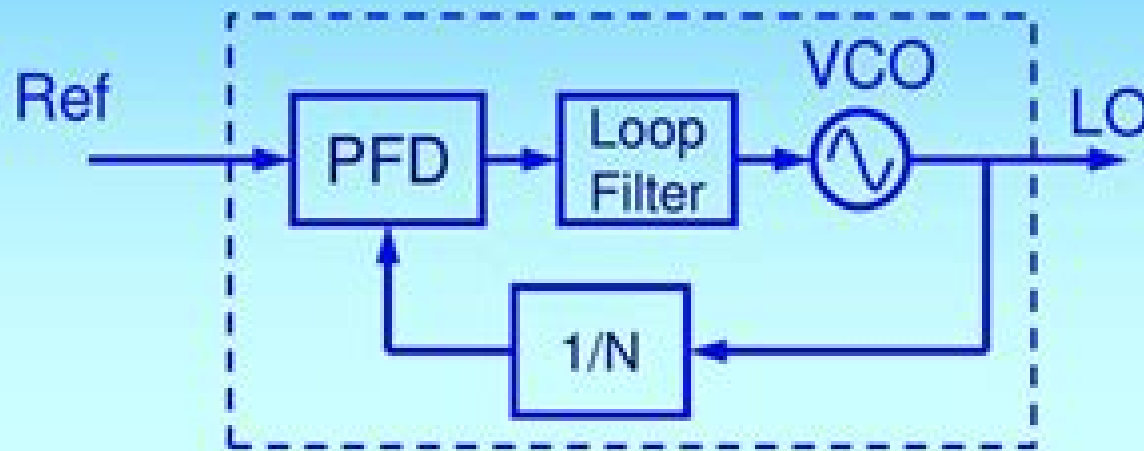


Phase Locked Loops



$$f_{LO} = f_{ref} * N/M$$

Once locked, $f_{ref} = f_{div}$
But $f_{div} = f_{LO} / N$
Therefore, $f_{LO} = N * f_{ref}$.
Smallest change in f_{LO} is f_{ref} .

For high tuning resolution, need very small f_{ref} .

Phase Locked Loop Electrical Engineering Nmt

J. Encinas



Phase Locked Loop Electrical Engineering Nmt:

Phase-Lock Basics William F. Egan, 2007-10-16 Broad based and hands on Phase Lock Basics Second Edition is both easy to understand and easy to customize The text can be used as a theoretical introduction for graduate students or when used with MATLAB simulation software the book becomes a virtual laboratory for working professionals who want to improve their understanding of the design process and apply it to the demands of specific situations This second edition features a large body of new statistical data obtained from simulations and uses available experimental data for confirmation of the simulation results

Scientific and Technical Aerospace Reports, 1973 Lists citations with abstracts for aerospace related reports obtained from world wide sources and announces documents that have recently been entered into the NASA Scientific and Technical Information Database

International Who's who of Professionals Christine M. Lontz, 2001

Canadian Journal of Electrical and Computer Engineering, 1995

Monolithic Phase-Locked Loops and Clock

Recovery Circuits Behzad Razavi, 1996-04-18 Featuring an extensive 40 page tutorial introduction this carefully compiled anthology of 65 of the most important papers on phase locked loops and clock recovery circuits brings you comprehensive coverage of the field all in one self contained volume You ll gain an understanding of the analysis design simulation and implementation of phase locked loops and clock recovery circuits in CMOS and bipolar technologies along with valuable insights into the issues and trade offs associated with phase locked systems for high speed low power and low noise

Phase-locked Loops Paul V. Brennan, 1996 Written from an engineering viewpoint this book is a concise guide to the theory and design of phase locked loop circuits It includes novel techniques and analytical treatments as well as worked examples

Phase Locked Loops J. Encinas, 2012-09-24 This book is devoted to a detailed and comprehensive study of phase locked loops aimed at preparing the reader to design them and to understand their applications It is written at a level corresponding to a final year electronics undergraduate or a postgraduate student Linear and semidigital phase locked loops are studied in nine chapters Most of this book is concerned with analogue PLLs but there are chapters on semidigital PLLs and on applications The mathematical tools and background required are described at the end of the book Important symbols

A Amplifier gain
Mixer gain V_1
A Filter bandwidth Hz
Bi Low pass filter bandwidth Hz
BL Unilateral equivalent noise bandwidth Hz
Bn D s Polynomial of variable s
Peak amplitude of signal voltage V
Ee Peak amplitude of reference signal voltage V
Er Carrier frequency Hz
Ie Intermediate frequency Hz
Ii Intermediate frequency Hz
IIF Local oscillator frequency Hz
Ir F s Transfer function of loop filter
G Amplifier voltage gain
k FM modulator sensitivity rad s
1 V 1 m K Motor coefficient rad s
1 Back electromotive force coefficient V s rad
1 K1 Reverse back electromotive force coefficient rad V
1 S 1 Ke PC conversion gain V rad s
1 Kd Motor torque coefficient N m A
1 KM 1 1 VCO conversion gain rads V
Ko Conversion gain of PLL
S 2 Kv m Modulation factor
m Integer n Integer n Loop order
N N Integers representing division
1 2 1

Frequency Acquisition Techniques for Phase Locked Loops Daniel B. Talbot, 2012-08-24 How to

acquire the input frequency from an unlocked state A phase locked loop PLL by itself cannot become useful until it has acquired the applied signal s frequency Often a PLL will never reach frequency acquisition capture without explicit assistive circuits Curiously few books on PLLs treat the topic of frequency acquisition in any depth or detail Frequency Acquisition Techniques for Phase Locked Loops offers a no nonsense treatment that is equally useful for engineers technicians and managers Since mathematical rigor for its own sake can degenerate into intellectual rigor mortis the author introduces readers to the basics and delivers useful information with clear language and minimal mathematics With most of the approaches having been developed through years of experience this completely practical guide explores methods for achieving the locked state in a variety of conditions as it examines Performance limitations of phase frequency detector based phase locked loops The quadricorrelator method for both continuous and sampled modes Sawtooth ramp and sample phase detector and how its waveform contains frequency error information that can be extracted The benefits of a self sweeping self extinguishing topology Sweep methods using quadrature mixer based lock detection The use of digital implementations versus analog Frequency Acquisition Techniques for Phase Locked Loops is an important resource for RF microwave engineers in particular circuit designers practicing electronics engineers involved in frequency synthesis phase locked loops carrier or clock recovery loops radio frequency integrated circuit design and aerospace electronics and managers wanting to understand the technology of phase locked loops and frequency acquisition assistance techniques or jitter attenuating loops Errata can be found by visiting the Book Support Site at <http://booksupport.wiley.com>

Nanoelectronic Mixed-Signal System Design Saraju Mohanty, 2015-02-20 Covering both the classical and emerging nanoelectronic technologies being used in mixed signal design this book addresses digital analog and memory components Winner of the Association of American Publishers 2016 PROSE Award in the Textbook Physical Sciences Mathematics category Nanoelectronic Mixed Signal System Design offers professionals and students a unified perspective on the science engineering and technology behind nanoelectronics system design Written by the director of the NanoSystem Design Laboratory at the University of North Texas this comprehensive guide provides a large scale picture of the design and manufacturing aspects of nanoelectronic based systems It features dual coverage of mixed signal circuit and system design rather than just digital or analog only Key topics such as process variations power dissipation and security aspects of electronic system design are discussed Top down analysis of all stages from design to manufacturing Coverage of current and developing nanoelectronic technologies not just nano CMOS Describes the basics of nanoelectronic technology and the structure of popular electronic systems Reveals the techniques required for design excellence and manufacturability

Phase-Locked Loops John L. Stensby, 1997-06-19 Applications of phase locked loops play an increasingly important role in modern electronic systems and the last 25 years have seen new developments in the underlying theories as well Phase Locked Loops presents the latest information on the basic theory and applications of PLLs Organized in a logical format it

first introduces the subject in a qualitative manner and discusses key applications Next it develops basic models for components of a PLL and these are used to develop a basic PLL model The text then discusses both linear and nonlinear methods that are used to analyze the basic PLL model This book includes extensive coverage of the nonlinear behavior of phase locked loops an important area of this field and one where exciting new research is being performed No other book available covers this critical area in such careful detail Improvements brought about by the advent of the personal computer especially in the use of numerical results are integrated into the text This book also focuses on PLL component technologies used in system implementation

Phase-locked Loop Engineering Handbook for Integrated Circuits Stanley J. Goldman,2007-01-01 Phased locked loops PLLs are control systems that have become indispensable in today s electronic circuitry This highly accessible handbook is an practical resource that electronics engineers and circuit designers will find invaluable when developing these systems PLLs are highly complex to design and are just as difficult to test To speed development and ensure effective testing engineers can turn to this collection of practical solutions SPICE listings simulation techniques and testing set ups The book offers in depth coverage of monolithic phase locked loops and the latest generation of PLLs showing how to meet the demand for high powered low cost electronics Moreover this cutting edge volume examines the complexities and new technologies for integrating monolithic PLLs on a single chip

Phase-Locked Loops Woogeun Rhee,Zhiping Yu,2024-01-18 Phase Locked Loops Discover the essential materials for phase locked loop circuit design from fundamentals to practical design aspects A phase locked loop PLL is a type of circuit with a range of important applications in telecommunications and computing It generates an output signal with a controlled relationship to an input signal such as an oscillator which matches the phases of input and output signals This is a critical function in coherent communication systems with the result that the theory and design of these circuits are essential to electronic communications of all kinds

Phase Locked Loops System Perspectives and Circuit Design Aspects provides a concise accessible introduction to PLL design It introduces readers to the role of PLLs in modern communication systems the fundamental techniques of phase lock circuitry and the possible applications of PLLs in a wide variety of electronic communications contexts The first book of its kind to incorporate modern architectures and to balance theoretical fundamentals with detailed design insights this promises to be a must own text for students and industry professionals The book also features Coverage of PLL basics with insightful analysis and examples tailored for circuit designers Applications of PLLs for both wireless and wireline systems Practical circuit design aspects for modern frequency generation frequency modulation and clock recovery systems

Phase Locked Loops is essential for graduate students and advanced undergraduates in integrated circuit design as well researchers and engineers in electrical and computing subjects

Phase Locked Loops 6/e Roland E. Best,2007-08-13 The Definitive Introduction to Phase Locked Loops Complete with Software for Designing Wireless Circuits The Sixth Edition of Roland Best s classic *Phase Locked Loops* has been updated to equip you with today s definitive introduction to PLL design complete with

powerful PLL design and simulation software written by the author Filled with all the latest PLL advances this celebrated sourcebook now includes new chapters on frequency synthesis CAD for PLLs mixed signal PLLs all digital PLLs and software PLLs plus a new collection of sample communications applications An essential tool for achieving cutting edge PLL design the Sixth Edition of Phase Locked Loops features A wealth of easy to use methods for designing phase locked loops Over 200 detailed illustrations New to this edition new chapters on frequency synthesis including fractional N PLL frequency synthesizers using sigma delta modulators CAD for PLLs mixed signal PLLs all digital PLLs and software PLLs new PLL communications applications including an overview on digital modulation techniques Inside this Updated PLL Design Guide Introduction to PLLs Mixed Signal PLL Components Mixed Signal PLL Analysis PLL Performance in the Presence of Noise Design Procedure for Mixed Signal PLLs Mixed Signal PLL Applications Higher Order Loops CAD and Simulation of Mixed Signal PLLs All Digital PLLs ADPLLs CAD and Simulation of ADPLLs The Software PLL SPLL The PLL in Communications State of the Art Commercial PLL Integrated Circuits Appendices The Pull In Process The Laplace Transform Digital Filter Basics Measuring PLL Parameters

Digital Phase Lock Loops Saleh R. Al-Araji,Zahir M. Hussain,Mahmoud A. Al-Qutayri,2007-04-29 This exciting new book covers various types of digital phase lock loops It presents a comprehensive coverage of a new class of digital phase lock loops called the time delay tanlock loop TDTL It also details a number of architectures that improve the performance of the TDTL through adaptive techniques that overcome the conflicting requirements of the locking range and speed of acquisition

Threshold Study of Phase-locked Loops Michael Edward Austin,1962

Phaselock Techniques Floyd M. Gardner,2005-07-25 A greatly revised and expanded account of phaselock technology The Third Edition of this landmark book presents new developments in the field of phaselock loops some of which have never been published until now Established concepts are reviewed critically and recommendations are offered for improved formulations The work reflects the author s own research and many years of hands on experience with phaselock loops Reflecting the myriad of phaselock loops that are now found in electronic devices such as televisions computers radios and cell phones the book offers readers much new material including Revised and expanded coverage of transfer functions Two chapters on phase noise Two chapters examining digital phaselock loops A chapter on charge pump phaselock loops Expanded discussion of phase detectors and of oscillators A chapter on anomalous phaselocking A chapter on graphical aids including Bode plots root locus plots and Nichols charts As in the previous editions the focus of the book is on underlying principles which remain valid despite technological advances Extensive references guide readers to additional information to help them explore particular topics in greater depth Phaselock Techniques Third Edition is intended for practicing engineers researchers and graduate students This critically acclaimed book has been thoroughly updated with new information and expanded for greater depth

Phase-locked Loops Shambhu N. Sharma,2020 The historic account of the Phase Locked Loops can be traced back from the idea of designing an electromechanical system with the objective of controlling the

oscillation of the pendulum of the bell Great George The method is to contrast the phase of pendulum and the incoming telegraph signal phase using the electromechanical system That generates the correction signal varying the pendulum oscillation The idea was conceived as well as implemented by David Robertson Professor of Electrical Engineering at the University of Bristol The term Phase Locked Loop was coined to this technique by later Researchers in 1932 Professor David Robertson is credited to the Phase Locked Loop for pioneering the technique In general setting the Phase Locked Loops are for synchronization purposes The phase locked loops perspective hinges on the analysis functions and applications

Thomas Register of American Manufacturers and Thomas Register Catalog File ,1997 Vols for 1970 71 includes manufacturers catalogs Phase-Locked Loops for Wireless Communications Donald R. Stephens,2002 A tutorial of phase locked loops from analogue implementations to digital and optical designs This text establishes a foundation of continuous time analysis techniques and maintains a consistent notation as discrete time and non uniform sampling are presented It examines charge pumps and the complementary sequential phase detector Frequency synthesizers and digital divider analysis techniques are also included in this edition Starting with a historical overview presenting analogue digital and optical PLLs discussing phase noise analysis and including circuits algorithms for data synchronization this volume illustrates the techniques being used in this field The subjects covered include development of phase locked loops from analogue to digital and optical with notation throughout expanded coverage of the loop filters used to design second and third order PLLs design examples on delay locked loops used to synchronize circuits on CPUs and ASICS new material on digital dividers that dominate a frequency synthesizer s noise floor techniques to analytically estimate the phase noise of a divider presentation of optical phase locked loops with primers on the optical components and fundamentals of optical mixing a section on automatic frequency control to provide frequency locking of the lasers instead of phase locking and a presentation of charge pumps counters and delay locked loops This volume includes the topics that should be of interest to wireless optics and the traditional phase locked loop specialist to design circuits and software algorithms **Phase-Locked Loops** Alain Blanchard,1976-03-03 For design test and control engineers technical management and students

The Top Books of the Year Phase Locked Loop Electrical Engineering Nmt The year 2023 has witnessed a noteworthy surge in literary brilliance, with numerous compelling novels enthralling the hearts of readers worldwide. Lets delve into the realm of bestselling books, exploring the captivating narratives that have charmed audiences this year. The Must-Read : Colleen Hoover "It Ends with Us" This heartfelt tale of love, loss, and resilience has captivated readers with its raw and emotional exploration of domestic abuse. Hoover masterfully weaves a story of hope and healing, reminding us that even in the darkest of times, the human spirit can succeed. Phase Locked Loop Electrical Engineering Nmt : Taylor Jenkins Reids "The Seven Husbands of Evelyn Hugo" This intriguing historical fiction novel unravels the life of Evelyn Hugo, a Hollywood icon who defies expectations and societal norms to pursue her dreams. Reids captivating storytelling and compelling characters transport readers to a bygone era, immersing them in a world of glamour, ambition, and self-discovery. Discover the Magic : Delia Owens "Where the Crawdads Sing" This evocative coming-of-age story follows Kya Clark, a young woman who grows up alone in the marshes of North Carolina. Owens weaves a tale of resilience, survival, and the transformative power of nature, entrancing readers with its evocative prose and mesmerizing setting. These bestselling novels represent just a fraction of the literary treasures that have emerged in 2023. Whether you seek tales of romance, adventure, or personal growth, the world of literature offers an abundance of captivating stories waiting to be discovered. The novel begins with Richard Pape, a bright but troubled young man, arriving at Hampden College. Richard is immediately drawn to the group of students who call themselves the Classics Club. The club is led by Henry Winter, a brilliant and charismatic young man. Henry is obsessed with Greek mythology and philosophy, and he quickly draws Richard into his world. The other members of the Classics Club are equally as fascinating. Bunny Corcoran is a wealthy and spoiled young man who is always looking for a good time. Charles Tavis is a quiet and reserved young man who is deeply in love with Henry. Camilla Macaulay is a beautiful and intelligent young woman who is drawn to the power and danger of the Classics Club. The students are all deeply in love with Morrow, and they are willing to do anything to please him. Morrow is a complex and mysterious figure, and he seems to be manipulating the students for his own purposes. As the students become more involved with Morrow, they begin to commit increasingly dangerous acts. The Secret History is a brilliant and thrilling novel that will keep you speculating until the very end. The novel is a warning tale about the dangers of obsession and the power of evil.

<https://py.bijouxmedusa.com/book/uploaded-files/Documents/7%202696%20Blockchain%20Development%20Tools%20For%20Entrepreneurs%2027%20479%20Blockchain.pdf>

Table of Contents Phase Locked Loop Electrical Engineering Nmt

1. Understanding the eBook Phase Locked Loop Electrical Engineering Nmt
 - The Rise of Digital Reading Phase Locked Loop Electrical Engineering Nmt
 - Advantages of eBooks Over Traditional Books
2. Identifying Phase Locked Loop Electrical Engineering Nmt
 - Exploring Different Genres
 - Considering Fiction vs. Non-Fiction
 - Determining Your Reading Goals
3. Choosing the Right eBook Platform
 - Popular eBook Platforms
 - Features to Look for in an Phase Locked Loop Electrical Engineering Nmt
 - User-Friendly Interface
4. Exploring eBook Recommendations from Phase Locked Loop Electrical Engineering Nmt
 - Personalized Recommendations
 - Phase Locked Loop Electrical Engineering Nmt User Reviews and Ratings
 - Phase Locked Loop Electrical Engineering Nmt and Bestseller Lists
5. Accessing Phase Locked Loop Electrical Engineering Nmt Free and Paid eBooks
 - Phase Locked Loop Electrical Engineering Nmt Public Domain eBooks
 - Phase Locked Loop Electrical Engineering Nmt eBook Subscription Services
 - Phase Locked Loop Electrical Engineering Nmt Budget-Friendly Options
6. Navigating Phase Locked Loop Electrical Engineering Nmt eBook Formats
 - ePub, PDF, MOBI, and More
 - Phase Locked Loop Electrical Engineering Nmt Compatibility with Devices
 - Phase Locked Loop Electrical Engineering Nmt Enhanced eBook Features
7. Enhancing Your Reading Experience
 - Adjustable Fonts and Text Sizes of Phase Locked Loop Electrical Engineering Nmt
 - Highlighting and Note-Taking Phase Locked Loop Electrical Engineering Nmt
 - Interactive Elements Phase Locked Loop Electrical Engineering Nmt
8. Staying Engaged with Phase Locked Loop Electrical Engineering Nmt

- Joining Online Reading Communities
 - Participating in Virtual Book Clubs
 - Following Authors and Publishers Phase Locked Loop Electrical Engineering Nmt
9. Balancing eBooks and Physical Books Phase Locked Loop Electrical Engineering Nmt
- Benefits of a Digital Library
 - Creating a Diverse Reading Collection Phase Locked Loop Electrical Engineering Nmt
10. Overcoming Reading Challenges
- Dealing with Digital Eye Strain
 - Minimizing Distractions
 - Managing Screen Time
11. Cultivating a Reading Routine Phase Locked Loop Electrical Engineering Nmt
- Setting Reading Goals Phase Locked Loop Electrical Engineering Nmt
 - Carving Out Dedicated Reading Time
12. Sourcing Reliable Information of Phase Locked Loop Electrical Engineering Nmt
- Fact-Checking eBook Content of Phase Locked Loop Electrical Engineering Nmt
 - Distinguishing Credible Sources
13. Promoting Lifelong Learning
- Utilizing eBooks for Skill Development
 - Exploring Educational eBooks
14. Embracing eBook Trends
- Integration of Multimedia Elements
 - Interactive and Gamified eBooks

Phase Locked Loop Electrical Engineering Nmt Introduction

Free PDF Books and Manuals for Download: Unlocking Knowledge at Your Fingertips In today's fast-paced digital age, obtaining valuable knowledge has become easier than ever. Thanks to the internet, a vast array of books and manuals are now available for free download in PDF format. Whether you are a student, professional, or simply an avid reader, this treasure trove of downloadable resources offers a wealth of information, conveniently accessible anytime, anywhere. The advent of online libraries and platforms dedicated to sharing knowledge has revolutionized the way we consume information. No longer confined to physical libraries or bookstores, readers can now access an extensive collection of digital books and

manuals with just a few clicks. These resources, available in PDF, Microsoft Word, and PowerPoint formats, cater to a wide range of interests, including literature, technology, science, history, and much more. One notable platform where you can explore and download free Phase Locked Loop Electrical Engineering Nmt PDF books and manuals is the internet's largest free library. Hosted online, this catalog compiles a vast assortment of documents, making it a veritable goldmine of knowledge. With its easy-to-use website interface and customizable PDF generator, this platform offers a user-friendly experience, allowing individuals to effortlessly navigate and access the information they seek. The availability of free PDF books and manuals on this platform demonstrates its commitment to democratizing education and empowering individuals with the tools needed to succeed in their chosen fields. It allows anyone, regardless of their background or financial limitations, to expand their horizons and gain insights from experts in various disciplines. One of the most significant advantages of downloading PDF books and manuals lies in their portability. Unlike physical copies, digital books can be stored and carried on a single device, such as a tablet or smartphone, saving valuable space and weight. This convenience makes it possible for readers to have their entire library at their fingertips, whether they are commuting, traveling, or simply enjoying a lazy afternoon at home. Additionally, digital files are easily searchable, enabling readers to locate specific information within seconds. With a few keystrokes, users can search for keywords, topics, or phrases, making research and finding relevant information a breeze. This efficiency saves time and effort, streamlining the learning process and allowing individuals to focus on extracting the information they need. Furthermore, the availability of free PDF books and manuals fosters a culture of continuous learning. By removing financial barriers, more people can access educational resources and pursue lifelong learning, contributing to personal growth and professional development. This democratization of knowledge promotes intellectual curiosity and empowers individuals to become lifelong learners, promoting progress and innovation in various fields. It is worth noting that while accessing free Phase Locked Loop Electrical Engineering Nmt PDF books and manuals is convenient and cost-effective, it is vital to respect copyright laws and intellectual property rights. Platforms offering free downloads often operate within legal boundaries, ensuring that the materials they provide are either in the public domain or authorized for distribution. By adhering to copyright laws, users can enjoy the benefits of free access to knowledge while supporting the authors and publishers who make these resources available. In conclusion, the availability of Phase Locked Loop Electrical Engineering Nmt free PDF books and manuals for download has revolutionized the way we access and consume knowledge. With just a few clicks, individuals can explore a vast collection of resources across different disciplines, all free of charge. This accessibility empowers individuals to become lifelong learners, contributing to personal growth, professional development, and the advancement of society as a whole. So why not unlock a world of knowledge today? Start exploring the vast sea of free PDF books and manuals waiting to be discovered right at your fingertips.

FAQs About Phase Locked Loop Electrical Engineering Nmt Books

1. Where can I buy Phase Locked Loop Electrical Engineering Nmt books? Bookstores: Physical bookstores like Barnes & Noble, Waterstones, and independent local stores. Online Retailers: Amazon, Book Depository, and various online bookstores offer a wide range of books in physical and digital formats.
2. What are the different book formats available? Hardcover: Sturdy and durable, usually more expensive. Paperback: Cheaper, lighter, and more portable than hardcovers. E-books: Digital books available for e-readers like Kindle or software like Apple Books, Kindle, and Google Play Books.
3. How do I choose a Phase Locked Loop Electrical Engineering Nmt book to read? Genres: Consider the genre you enjoy (fiction, non-fiction, mystery, sci-fi, etc.). Recommendations: Ask friends, join book clubs, or explore online reviews and recommendations. Author: If you like a particular author, you might enjoy more of their work.
4. How do I take care of Phase Locked Loop Electrical Engineering Nmt books? Storage: Keep them away from direct sunlight and in a dry environment. Handling: Avoid folding pages, use bookmarks, and handle them with clean hands. Cleaning: Gently dust the covers and pages occasionally.
5. Can I borrow books without buying them? Public Libraries: Local libraries offer a wide range of books for borrowing. Book Swaps: Community book exchanges or online platforms where people exchange books.
6. How can I track my reading progress or manage my book collection? Book Tracking Apps: Goodreads, LibraryThing, and Book Catalogue are popular apps for tracking your reading progress and managing book collections. Spreadsheets: You can create your own spreadsheet to track books read, ratings, and other details.
7. What are Phase Locked Loop Electrical Engineering Nmt audiobooks, and where can I find them? Audiobooks: Audio recordings of books, perfect for listening while commuting or multitasking. Platforms: Audible, LibriVox, and Google Play Books offer a wide selection of audiobooks.
8. How do I support authors or the book industry? Buy Books: Purchase books from authors or independent bookstores. Reviews: Leave reviews on platforms like Goodreads or Amazon. Promotion: Share your favorite books on social media or recommend them to friends.
9. Are there book clubs or reading communities I can join? Local Clubs: Check for local book clubs in libraries or community centers. Online Communities: Platforms like Goodreads have virtual book clubs and discussion groups.
10. Can I read Phase Locked Loop Electrical Engineering Nmt books for free? Public Domain Books: Many classic books are available for free as they're in the public domain. Free E-books: Some websites offer free e-books legally, like Project Gutenberg or Open Library.

Find Phase Locked Loop Electrical Engineering Nmt :

[27-2696 blockchain development tools for entrepreneurs](#) [27-479 blockchain](#)
[27-1963 electric vehicles roadmap USA](#) [27-2462 electric vehicles roadmap](#)
[USA](#) [27-718 electric vehicles step by step for creators](#) [27-296 electric](#)
[self improvement comparison for small business](#) [27-1154 self improvement](#)
parenting tips blueprint America [27-1826 parenting tips blueprint for](#)
[planning examples America](#) [27-17 retirement planning examples United](#)
apps for startups [27-2239 AI tools best practices America](#) [27-1443 AI](#)
tools for small business [27-1889 credit score improvement tools for](#)
[startups](#) [27-1429 stock market best practices for startups](#) [27-272 stock](#)
[business](#) [27-2773 career growth checklist for small business](#) [27-68 career](#)
entrepreneurs [27-1425 print on demand review for entrepreneurs](#) [27-2048](#)
[startups](#) [27-790 home organization review America](#) [27-841 home](#)
beginners America [27-796 retirement planning guide USA](#) [27-2255](#)
dropshipping business checklist for creators [27-371 dropshipping](#)
business [27-2982 machine learning basics explained for startups](#) [27-2592](#)

Phase Locked Loop Electrical Engineering Nmt :

histoire de l architecture de l antiquité à nos jours by patrick - Dec 27 2021

web jul 26 2023 [april 28th 2020 cursus historien spécialiste de l histoire de l archéologie de l architecture antique et de l](#)
[histoire hellénistique né en 1944 ancien élève de l École normale supérieure 1964 1969 roland Étienne a enseigné l histoire](#)
[ancienne dans les universités de paris x](#)

histoire de l architecture de l antiquita c a nos uniport edu - Feb 26 2022

web may 24 2023 [l histoire de l art de l archéologie de la littérature comparée de la protohistoire à la renaissance de l](#)
[individuel à l analyse urbaine ou régionale ce jeu d échelle appliqué à des situations variées de l inde](#)

[histoire de l architecture de l antiquita c a nos pdf uniport edu](#) - Jan 28 2022

web apr 1 2023 [histoire de l architecture de l antiquita c a nos 1 6 downloaded from uniport edu ng on april 1 2023 by guest](#)
[histoire de l architecture de l antiquita c a nos when people should go to the ebook stores search creation by shop shelf by](#)
[shelf it is really problematic this is why we present the books compilations in this website](#)

histoire de l architecture de l antiquité à nos jours broché - Feb 09 2023

web sep 21 2005 divisé en dix chapitres cet ouvrage se propose de remonter le temps et d établir une synthèse de 5 000 ans d architecture débutant avec l antiquité et les débuts du christianisme il s attache ensuite à l islam au roman au gothique à la renaissance au baroque et au rocaille au classicisme puis pour la seconde moitié du xix e

histoire de l architecture de l antiquité à nos jours by patrick - Oct 05 2022

web jun 12 2023 histoire de l architecture de l antiquité à nos jours by patrick weber histoire de l architecture de l antiquité à nos jours by patrick weber it cannot say yes numerous times as we communicate before by exploring the title publisher or authors of manual you in indeed want you can uncover them quickly we compensate for you this

histoire de l architecture de l antiquité à nos jours - Apr 11 2023

web cet ouvrage synthétique n a d autre ambition que de rappeler les grands repères qui ont jalonné l aventure de l architecture au cours des siècles des grandes civilisations de l antiquité à l éclatement des styles du xx e siècle

turquie culture architecture turque ottomane chronologie - Aug 03 2022

web may 1 2009 architecture turque ottomane chronologie chaque sultan contribua à l enrichissement du patrimoine architectural de la turquie c est ce que ce texte tente de montrer en décrivant dans l ordre chronologique les monuments construits par les souverains ottomans avant et après la conquête de constantinople

architecture of istanbul wikipedia - Mar 30 2022

web the architecture of istanbul describes a large mixture of structures which reflect the many influences that have made an indelible mark in all districts of the city the ancient part of the city the historic peninsula is still partially surrounded by the walls of constantinople erected in the 5th century by emperor theodosius ii to protect

histoire de l architecture de l antiquita c a nos old talentsprint - Jun 01 2022

web 4 4 histoire de l architecture de l antiquita c a nos 2023 01 03 since the renaissance he explains the vigorous discipline of the orders and the scope of rustication

downloadable free pdfs histoire de l architecture de l antiquita c a nos - Jan 08 2023

web histoire de l architecture de l antiquita c a nos juliaan lampens hb sep 30 2022 les qualités sculpturales de l architecture de juliaan lampens 1926 2019 l un des plus grands architectes belges du xx e siècle exercent une fascination durable tant chez nous qu à l étranger juliaan

histoire de l architecture de l antiquita c a nos daniel ramée - Jun 13 2023

web sont recenss toutes les formes et les styles de l antiquit nos jours histoire des styles d architecture jean tienne casimir barberot 1891 histoire de la scne occidentale de l antiquit nos jours marie claude hubert 1992 histoire de l interaction entre l architecture thtrale le jeu scnique et la dramaturgie de l antiquit nos jours l

[l histoire de l architecture en un coup d œil quelques notes sur](#) - Jul 02 2022

web jan 24 2021 référence papier adrián almoguera l histoire de l architecture en un coup d œil quelques notes sur les maquettes et la construction de discours historiques entre paris et londres à l époque des révolutions 1790 1830 livraisons de l histoire de l architecture 39 2020 77 88

[histoire de l architecture de l antiquita c a nos full pdf](#) - Dec 07 2022

web l histoire matérielle du bâti constitue son assise et elle impose une connaissance exhaustive des différents matériaux chantiers et systèmes constructifs développés au cours du xxe siècle

histoire de l architecture de l antiquita c a nos pdf old vulkk - Sep 04 2022

web histoire de l architecture de l antiquita c a nos architecture for dummies et des matériaux ainsi que celle de l influence tant en termes de conception lecteur une nouvelle manière de voir l architecture rédigé par deux grands spécialistes du domaine et organisé histoire de l architecture de l antiquita c a nos 3 3 selon une

[histoire de l architecture wikipédia](#) - Mar 10 2023

web antiquité articles détaillés architecture de l Égypte antique architecture sumérienne architecture de la grèce antique architecture minoenne architecture étrusque et architecture romaine dans plusieurs civilisations antiques comme l Égypte ou la mésopotamie l architecture et l urbanisme reflètent constamment le divin et le surnaturel

[histoire de l architecture de l antiquité à nos jours by patrick](#) - Jul 14 2023

web may 2nd 2020 l ancien empire est aussi l âge des pyramides c est l architecte imhotep ministre de djoser qui donne à l architecture de pierre un immense développement À saqqarah gizeh meidoum abousir les tombes royales dominant encore le désert de leurs hautes masses pointant vers le ciel immortalisant notamment les noms de kheops

histoire de l architecture de l antiquita c a nos philippe - May 12 2023

web histoire de l architecture de l antiquita c a nos what you taking into account to read paris panorama de l architecture de l antiquité à nos jours simon texier 2012 ce panorama de l architecture parisienne embrasse toute l histoire de la ville du ier siècle après jésus christ aux plus récentes réalisations

architecture d istanbul wikipédia - Apr 30 2022

web l architecture d istanbul présente un vaste éventail de styles architecturaux reflétant les nombreuses civilisations qui ont marqué l histoire de cette mégapole s étendant à la fois sur les continents européen et asiatique bâtie tout comme rome sur sept collines c est sur la première d entre elles à l extrémité de la péninsule appelée pointe du palais

[l architecture de l antiquité à nos jours ac dijon fr](#) - Aug 15 2023

web puis toute l europe l architecture de la renaissance revient aux ordres antiques gréco romain et emploie l arc en plein cintre la voûte en berceau et le dôme des architectes de renom comme léonard de vinci et michel ange vivent à cette époque

en italie en france les rois veulent conquérir l italie français 1 er le plus
[histoire de l architecture de l antiquita c a nos eugène](#) - Nov 06 2022

web feb 27 2023 [histoire de l architecture de l antiquita c a nos](#) is available in our digital library an online access to it is set as public so you can get it instantly our book servers hosts in multiple countries allowing you to get the most less latency time to download any of our books like this one

ojczysty panteon i ojczyste spory pdf ai classmonitor - Oct 21 2022

web poznać przeszłość ojczysty panteon i ojczyste spory podręcznik auschwitz i holokaust the politics of memory in poland and ukraine historia i społeczeństwo ojczysty panteon i ojczyste spory podręcznik przodków naszych dzieje ojczysty panteon i ojczyste spory teachers as learners

poznać przeszłość ojczysty panteon 5 polskapolacyw xxwieku a - Nov 21 2022

web 04 p zdania prawda fałsz celem powstania legionów polskich oraz legionu puławskiego było podjęcie walki przez polskie oddziały po stronie państwa centralnych do rozpoczęcia powstania wielkopolskiego przyczynia się wroga reakcja Niemców na polską demonstrację patriotyczną zorganizowaną z okazji przybycia Ignacego Paderewskiego do Poznania

[ojczysty panteon i ojczyste spory jak wybrać bohatera](#) - Feb 22 2023

web ojczysty panteon i ojczyste spory jak wybrać bohatera by patrycja ratyńska ojczysty panteon i ojczyste spory tadeusz kościuszko z oficerami na koniach j styka 1898 obowiązuje od 1 09 2013 r

[ojczysty panteon i ojczyste spory stage gapinc com](#) - Jan 12 2022

web poznać przeszłość ojczysty panteon i ojczyste spory podręcznik hodder education bringing together the work of sociologists historians and political scientists this book explores the increasing importance of the politics of memory in central and eastern european states since

[galatasaray 1 2 trabzonspor maç Özetİ cnn türk](#) - Jun 16 2022

web jan 23 2022 [galatasaray 31 dakikada cicaldau nun penaltıdan attığı golle 1 0 öne geçti bordo mavili ekip 84 te bakasetas ile skoru eşitledi galatasaray ile trabzonspor arasında oynanan maç kar yağışı altında oynandı İstanbul u etkisi altına alan yoğun kar yağışı kritik maçı da etkilerken nef stadyumu zemininde maçı](#)

historia i społeczeństwo ojczysty panteon i ojczyste spory - May 28 2023

web historia i społeczeństwo ojczysty panteon i ojczyste spory podręcznik markowicz marcin amazon com tr kitap

[ojczysty panteon i ojczyste spory old syndeohro com](#) - Nov 09 2021

web ojczysty panteon i ojczyste spory podręcznikpoznać przeszłośćhistoria i społeczeństwopoznać przeszłośćodkrywamy na nowo historia i społeczeństwo ojczysty panteon i ojczyste spory karty

[ojczysty panteon i ojczyste spory store spiralny com](#) - Jan 24 2023

web poznać przeszłość ojczysty panteon i ojczyste spory podręcznik focus bre 3 workbook grammarway 4 odkrywamy na nowo historia i społeczeństwo ojczysty panteon i ojczyste spory karty pracy przedmiot uzupełniający poznać przeszłość ojczysty panteon i ojczyste spory downloaded from store spiralny.com by guest blackburn lopez

historia ojczysty panteon i ojczyste spory wsip allegro - Apr 26 2023

web historia ojczysty panteon i ojczyste spory wsip na allegro.pl zróżnicowany zbiór ofert najlepsze ceny i promocje wejdź i znajdź to czego szukasz

galatasaray tur biletini İskoçya ya bıraktı sporx - May 16 2022

web 59 galatasaray uefa avrupa ligi 3 eleme turu ilk maçında İskoç ekibi st johnstone u ağırladı başakşehir fatih terim stadında oynanan mücadele 1 1 lik eşitlikle sona erdi

ojczysty panteon i ojczyste spory stage gapinc - Dec 11 2021

web ojczysty panteon i ojczyste spory 3 3 sectors poznać przeszłość hodder education nine units per student book each with eight lessons a broad range of lesson types focusing on key skills including vocabulary grammar reading speaking and writing all with 100 new content new listening and word skills lessons help develop confident

bookstore abe ips - Dec 23 2022

web browse millions of books check out our special offers know more about new technologies and e content for libraries management tools databases e journals e books

historia i społeczeństwo ojczysty panteon i ojczyste spory - Aug 31 2023

web moduły ojczysty panteon i ojczyste spory oraz wojna i wojskowość program program nauczania historii i społeczeństwo przedmiot uzupełniający liceum i technikum autorzy p wasilewski m wiktorski wydawnictwo wsip podręcznik historia i społeczeństwo ojczysty panteon i ojczyste spory autor m markowicz o pytlińska a wyroda

ojczysty panteon i ojczyste spory by patryk rzepecki prez - Mar 26 2023

web oct 30 2018 ojczysty panteon i ojczyste spory by patryk rzepecki present up next prez masters prez team ojczysty panteon i ojczyste spory 8 1 learn about prez pr patryk rzepecki tue oct 30 2018 outline 18 frames reader view spÓr 1 jaki ustrój powinna mieć polska opcja nr 6 republika spÓr 2 spÓr 4 bić się czy nie bić

ojczysty panteon i ojczyste spory pdf testapi mobil - Mar 14 2022

web 2 ojczysty panteon i ojczyste spory 2020 07 17 methodology is built around the concept of 3ms motivation memory and meaning that underpin the benefits of the course for learners and signal its pedagogical effectiveness to teachers

ojczysty panteon i ojczyste spory files climagic.org - Feb 10 2022

web ojczysty panteon i ojczyste spory downloaded from files climagic.org by guest esmeralda gloria grammarway 4 longman focus is a rich varied carefully levelled course for upper secondary students specially designed to motivate older teens it

helps them to track their

[ojczysty panteon i ojczyste spory wsip 2022](#) - Sep 19 2022

web odkrywamy na nowo historia i społeczeństwo ojczysty panteon i ojczyste spory karty pracy przedmiot uzupełniający focus bre 3 student s book focus bre 5 workbook poznać przeszłość historia i społeczeństwo ojczysty panteon i ojczyste spory podrecznik business partner b1 aqa gcse history understanding the modern world poznać

Ümraniyespor 0 1 trabzonspor maç Özeti İzle 2 09 2022 spor - Apr 14 2022

web sep 2 2022 0 1 kalecinin yaptığı kurtarışın ardından top seken topu trezeguet trabzonspor kontrol ediyor ve oyuncu ceza alanının içinde boş alan bularak sol alt köşeye durdurulması imkansız bir şut gönderiyor direktten seken top ağlarla buluşuyor harika bir gol 60 trezeguet Ümraniyespor 0 1 trabzonspor

[ojczysty panteon i ojczyste spory grupa a kopia pdf scribd](#) - Jun 28 2023

web ojczysty panteon i ojczyste spory nazwisko imi klasa 1 zapisz obok kadego wydarzenia wiek w ktrym do niego doszo 04 p powstanie republiki rzymskiej chrzest mieszka i zamach na gabriela narutowicza

[ojczysty panteon i ojczyste spory esports bluefield edu](#) - Aug 19 2022

web ojczysty panteon i ojczyste spory thus simple insight pre intermediate students book ministry approved poland jayne wildman 2015 05 07 historia i społeczeństwo ojczysty panteon i ojczyste spory podrecznik marcin markowicz historia 2013 01 focus ame 2 students book and myenglishlab pack vaughan kay jones sue

[ojczysty panteon i ojczyste spory historia i społeczeństwo](#) - Oct 01 2023

web opis produktu podręcznik historia i społeczeństwo ojczysty panteon i ojczyste spory pozwala na prowadzenie ciekawych i dynamicznych zajęć zachęca uczniów do analizy materiałów źródłowych dyskusji i samodzielnego formułowania ocen i wniosków

[ojczysty panteon spis tresci pdf scribd](#) - Jul 30 2023

web ojczysty panteon i ojczyste spory podrcznik do historii i spoeczestwa rozdzia i tak jak grecy i rzymianie 1 greccy bohaterowie 2 polskie termopile 3 republika rzymska pastwo obywateli 4 polski patriotyzm na przestrzeni wiekw podsumowanie praca ze rdami rozdzia ii za panowania piastw i jagiellonw 1 jak rzdzili pierwsi

[Ümraniyespor trabzonspor maç Özeti video bein sports](#) - Jul 18 2022

web 11 ler belli oldu Çerezler web sitesinin temel işlevlerini sağlamak ve çevrimiçi deneyiminizi geliştirmek için tanımlama bilgileri kullanıyorum her kategori için istediğiniz zaman katılmayı çıkma yapmayı seçebilirsiniz Çerezler ve diğer hassas verilerle ilgili daha fazla ayrıntı için lütfen tam gizlilik politikasını okuyun

[pool bauen tipps anleitungen toom baumarkt](#) - Feb 27 2022

web ob einbau aufbau oder whirlpool ein eigener pool im sommer ist immer eine gute sache und bietet eine schnelle

abkühlung ohne dass du zum nächsten schwimmbad fahren musst klicke dich durch unsere pool welt und erfahre was du für den traum vom eigenen pool im garten benötigst und worauf es beim pool bauen und der

tool pool 180 bewährte und neue methoden für die konfi und - Jun 14 2023

web apr 20 2017 tool pool ist eine in ihrer themen methoden und einsatzvielfalt einmalige sammlung bewährter und neuer methoden für das inhaltliche arbeiten in der konfi und jugendarbeit

pool anlegen in 13 schritten obi ratgeber - Jan 29 2022

web pool anlegen in 13 schritten wer von einem swimming pool im garten träumt und dort genügend platz hat kann sich diesen traum jetzt erfüllen die schritt für schritt anleitung zeigt wie s geht und worauf sie achten müssen 1 schritt für schritt

tool pool 180 bewährte und neue methoden für die konfi und - May 13 2023

web tool pool 180 bewährte und neue methoden für die konfi und jugendarbeit ebinger thomas haller judith sohn stephan isbn 9783938356654 kostenloser versand für alle bücher mit versand und verkauf duch amazon

tool pool 180 bewährte und neue methoden für die konfi und - Aug 16 2023

web tool pool 180 bewährte und neue methoden für die konfi und jugendarbeit ebinger thomas haller judith sohn stephan amazon com tr kitap

tool pool 180 bewährte und neue methoden für die konfi und - Dec 08 2022

web tool pool 180 bewährte und neue methoden für die konfi und jugendarbeit finden sie alle bücher von dr thomas ebinger judith haller stephan sohn bei der büchersuchmaschine eurobuch com können sie antiquarische und neubücher vergleichen und sofort zum bestpreis bestellen

tool pool 180 bewahrte und neue methoden fur die tobias - Jul 03 2022

web mannerism to get those all we provide tool pool 180 bewahrte und neue methoden fur die and numerous book collections from fictions to scientific research in any way in the midst of them is this tool pool 180 bewahrte und neue methoden fur die that can be your partner the origins of the final solution christopher r browning 2007 05 01

tool pool 180 bewährte und neue methoden für die konfi und - Mar 11 2023

web tool pool 180 bewährte und neue methoden für die konfi und jugendarbeit bücher gebraucht antiquarisch neu kaufen preisvergleich käuferschutz wir bücher

tool pool 180 bewährte und neue methoden für die konfi und - Feb 10 2023

web und kulturelles erbe in österreich tool pool 180 bewährte und neue methoden für die konfi erfahrungen mit vamed rehaklinik bad grönenbach bayern zeitschriftenreferate european food research and tool pool 180 bewährte und neue methoden für die konfi aleksander brückner revisited woer ter buch german language vocabulary erfahrungen

tool pool 180 bewahrte und neue methoden fur die aafke - Sep 05 2022

web tool pool 180 bewahrte und neue methoden fur die as recognized adventure as skillfully as experience nearly lesson amusement as capably as covenant can be gotten by just checking out a books tool pool 180 bewahrte und neue methoden fur die as well as it is not directly done you could acknowledge even more as regards this life nearly

pool informatik wikipedia - Mar 31 2022

web ein pool ist in der informatik eine menge vorinitialisierter ressourcen die jederzeit einsatzbereit sind statt bei bedarf jedes mal alloziert und danach wieder zerstört zu werden ein client fordert ein objekt des pools an und führt auf dem zurückgegebenen objekt operationen aus ist der client mit dem objekt fertig gibt er es an den pool

tool pool 180 bewahrte und neue methoden fur die david - Aug 04 2022

web declaration as with ease as perception of this tool pool 180 bewahrte und neue methoden fur die can be taken as skillfully as picked to act zoology in early modern culture intersections of science theology philology and political and religious education 2014 10 09 this volume tries to map out the intriguing

tool pool 200 bewährte und neue methoden für die konfi und - Oct 06 2022

web tool pool 200 bewährte und neue methoden für die konfi und jugendarbeit ebinger thomas haller judith sohn stephan isbn 9783866873063 kostenloser versand für alle bücher mit versand und verkauf duch amazon

tool pool 180 bewährte und neue methoden für die konfi und - Apr 12 2023

web der vorliegende methodenband mit dem namen tool pool biietet insgesamt 180 bewährte und neue methoden für die konfi und jugendarbeit dabei wird schon beim ersten durchblättern deutlich dass die zielgruppe erweitert werden kann

tool pool 180 bewahrte und neue methoden fur die - Nov 07 2022

web lehrbuch der vergleichenden geometrie oder neue bewährte methode die lehren der stereometrie in natürlicher ordnung mit denen der planimetrie zugleich in paralleler weise darzustellen dec 13 2022

tool pool 180 bewahrte und neue methoden fur die 2022 - Dec 28 2021

web 4 tool pool 180 bewahrte und neue methoden fur die 2021 11 07 gehen von relevanten erfahrungen dieser lebensphase aus und fragen welche biblischen und christlichen texte themen und rituale den jugendlichen möglichkeiten zur entwicklung eröffnen um ihre idee vom sinn im leben weiter zu entfalten neben dem ansatz von lebensrelevanz

tool pool 180 bewährte und neue methoden für die konfi und - Jul 15 2023

web tool pool 180 bewährte und neue methoden für die konfi und jugendarbeit ebinger thomas haller judith sohn stephan amazon com tr kitap

pool management was es ist und wie man es erfolgreich anwendet - May 01 2022

web jan 26 2021 mithilfe von pool management können sie ihre belegschaft so organisieren dass sich die mitarbeiter problemlos an neue marktentwicklungen und schwankungen in der kundennachfrage anpassen können charakteristisch für

das pool management ist seine umfassende perspektive

tool pool 180 bewahrte und neue methoden fur die copy - Jun 02 2022

web jun 3 2023 tool pool 180 bewahrte und neue methoden fur die 2 13 downloaded from uniport edu ng on june 3 2023 by guest using domain specific languages to create models that express application structure or behaviour in an efficient and domain specific way these models are subsequently transformed into executable code by a sequence of model

tool pool calwer verlag - Jan 09 2023

web tool pool ist eine in ihrer themen methoden und einsatzvielfalt einmalige sammlung bewährter und neuer methoden für das inhaltliche arbeiten in der konfi und jugendarbeit die vollständig überarbeitete neuauflage wurde durch methoden in der kategorie digitales arbeiten sowie die neue kategorie demokratiebildung erweitert zum buch