

Substation 650
115 kV

Utility Grid

115 kV/
4.16 kV

Voltage Regulator with LTC

Load@645

4.16 kV
/0.48 kV

Load@634

Load@646

Load@652

PV Generation
System 1

PV1

4.16 kV/
0.48kV

Load@
632-671, 2/3

Load@
632-671, 1/3

Load@
675

Q Comp
@675

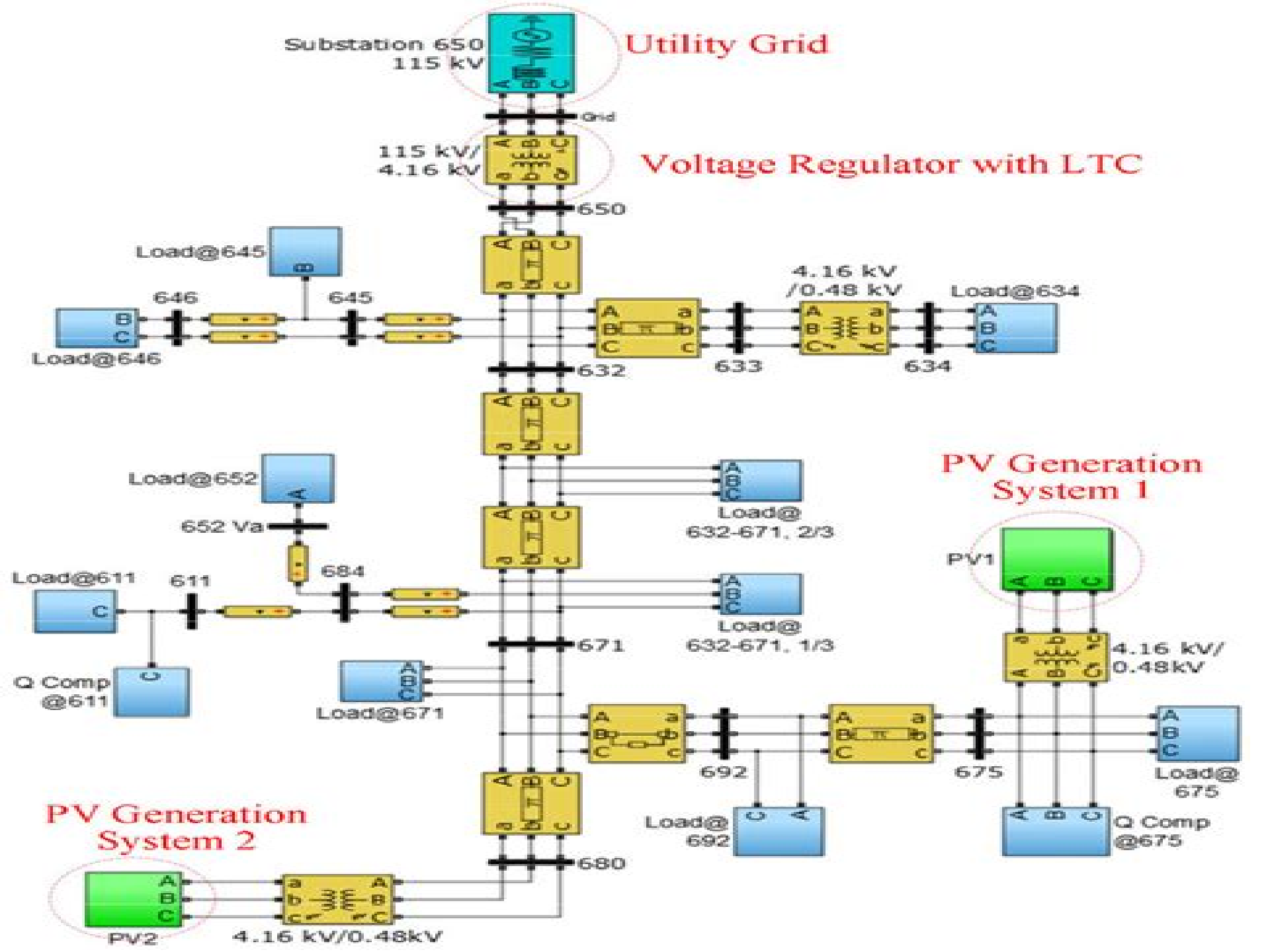
PV Generation
System 2

PV2

4.16 kV/0.48kV

Load@
692

Q Comp
@675



Ieee Bus Test System Matlab Simulink Model

Lei Shi



Ieee Bus Test System Matlab Simulink Model:

This Engaging Realm of E-book Books: A Comprehensive Guide Revealing the Pros of Kindle Books: A Realm of Ease and Flexibility Kindle books, with their inherent mobility and simplicity of availability, have freed readers from the constraints of hardcopy books. Gone are the days of carrying cumbersome novels or carefully searching for specific titles in bookstores. Kindle devices, stylish and lightweight, effortlessly store an wide library of books, allowing readers to immerse in their preferred reads anytime, everywhere. Whether traveling on a bustling train, lounging on a sunny beach, or simply cozying up in bed, E-book books provide an exceptional level of ease. A Literary Universe Unfolded: Discovering the Wide Array of E-book Ieee Bus Test System Matlab Simulink Model Ieee Bus Test System Matlab Simulink Model The Kindle Shop, a virtual treasure trove of bookish gems, boasts an wide collection of books spanning diverse genres, catering to every readers preference and choice. From captivating fiction and thought-provoking non-fiction to timeless classics and modern bestsellers, the E-book Store offers an unparalleled variety of titles to discover. Whether looking for escape through engrossing tales of fantasy and adventure, diving into the depths of historical narratives, or broadening ones understanding with insightful works of science and philosophy, the Kindle Shop provides a doorway to a literary universe brimming with endless possibilities. A Revolutionary Factor in the Bookish Landscape: The Persistent Influence of Kindle Books Ieee Bus Test System Matlab Simulink Model The advent of Kindle books has unquestionably reshaped the literary scene, introducing a model shift in the way books are published, disseminated, and consumed. Traditional publication houses have embraced the digital revolution, adapting their strategies to accommodate the growing demand for e-books. This has led to a rise in the availability of E-book titles, ensuring that readers have access to a vast array of literary works at their fingertips. Moreover, Kindle books have democratized access to literature, breaking down geographical barriers and offering readers worldwide with similar opportunities to engage with the written word. Regardless of their location or socioeconomic background, individuals can now engross themselves in the captivating world of books, fostering a global community of readers. Conclusion: Embracing the E-book Experience Ieee Bus Test System Matlab Simulink Model Kindle books Ieee Bus Test System Matlab Simulink Model, with their inherent ease, versatility, and wide array of titles, have certainly transformed the way we encounter literature. They offer readers the liberty to explore the boundless realm of written expression, anytime, everywhere. As we continue to navigate the ever-evolving digital scene, Kindle books stand as testament to the enduring power of storytelling, ensuring that the joy of reading remains accessible to all.

https://py.bijouxmedusa.com/results/detail/index.jsp/Pam_Grout_E2.pdf

Table of Contents Ieee Bus Test System Matlab Simulink Model

1. Understanding the eBook Ieee Bus Test System Matlab Simulink Model
 - The Rise of Digital Reading Ieee Bus Test System Matlab Simulink Model
 - Advantages of eBooks Over Traditional Books
2. Identifying Ieee Bus Test System Matlab Simulink Model
 - Exploring Different Genres
 - Considering Fiction vs. Non-Fiction
 - Determining Your Reading Goals
3. Choosing the Right eBook Platform
 - Popular eBook Platforms
 - Features to Look for in an Ieee Bus Test System Matlab Simulink Model
 - User-Friendly Interface
4. Exploring eBook Recommendations from Ieee Bus Test System Matlab Simulink Model
 - Personalized Recommendations
 - Ieee Bus Test System Matlab Simulink Model User Reviews and Ratings
 - Ieee Bus Test System Matlab Simulink Model and Bestseller Lists
5. Accessing Ieee Bus Test System Matlab Simulink Model Free and Paid eBooks
 - Ieee Bus Test System Matlab Simulink Model Public Domain eBooks
 - Ieee Bus Test System Matlab Simulink Model eBook Subscription Services
 - Ieee Bus Test System Matlab Simulink Model Budget-Friendly Options
6. Navigating Ieee Bus Test System Matlab Simulink Model eBook Formats
 - ePub, PDF, MOBI, and More
 - Ieee Bus Test System Matlab Simulink Model Compatibility with Devices
 - Ieee Bus Test System Matlab Simulink Model Enhanced eBook Features
7. Enhancing Your Reading Experience
 - Adjustable Fonts and Text Sizes of Ieee Bus Test System Matlab Simulink Model
 - Highlighting and Note-Taking Ieee Bus Test System Matlab Simulink Model
 - Interactive Elements Ieee Bus Test System Matlab Simulink Model
8. Staying Engaged with Ieee Bus Test System Matlab Simulink Model

- Joining Online Reading Communities
 - Participating in Virtual Book Clubs
 - Following Authors and Publishers Ieee Bus Test System Matlab Simulink Model
9. Balancing eBooks and Physical Books Ieee Bus Test System Matlab Simulink Model
- Benefits of a Digital Library
 - Creating a Diverse Reading Collection Ieee Bus Test System Matlab Simulink Model
10. Overcoming Reading Challenges
- Dealing with Digital Eye Strain
 - Minimizing Distractions
 - Managing Screen Time
11. Cultivating a Reading Routine Ieee Bus Test System Matlab Simulink Model
- Setting Reading Goals Ieee Bus Test System Matlab Simulink Model
 - Carving Out Dedicated Reading Time
12. Sourcing Reliable Information of Ieee Bus Test System Matlab Simulink Model
- Fact-Checking eBook Content of Ieee Bus Test System Matlab Simulink Model
 - Distinguishing Credible Sources
13. Promoting Lifelong Learning
- Utilizing eBooks for Skill Development
 - Exploring Educational eBooks
14. Embracing eBook Trends
- Integration of Multimedia Elements
 - Interactive and Gamified eBooks

Ieee Bus Test System Matlab Simulink Model Introduction

In this digital age, the convenience of accessing information at our fingertips has become a necessity. Whether its research papers, eBooks, or user manuals, PDF files have become the preferred format for sharing and reading documents. However, the cost associated with purchasing PDF files can sometimes be a barrier for many individuals and organizations. Thankfully, there are numerous websites and platforms that allow users to download free PDF files legally. In this article, we will explore some of the best platforms to download free PDFs. One of the most popular platforms to download free PDF files is Project Gutenberg. This online library offers over 60,000 free eBooks that are in the public domain. From classic literature to

historical documents, Project Gutenberg provides a wide range of PDF files that can be downloaded and enjoyed on various devices. The website is user-friendly and allows users to search for specific titles or browse through different categories. Another reliable platform for downloading Ieee Bus Test System Matlab Simulink Model free PDF files is Open Library. With its vast collection of over 1 million eBooks, Open Library has something for every reader. The website offers a seamless experience by providing options to borrow or download PDF files. Users simply need to create a free account to access this treasure trove of knowledge. Open Library also allows users to contribute by uploading and sharing their own PDF files, making it a collaborative platform for book enthusiasts. For those interested in academic resources, there are websites dedicated to providing free PDFs of research papers and scientific articles. One such website is Academia.edu, which allows researchers and scholars to share their work with a global audience. Users can download PDF files of research papers, theses, and dissertations covering a wide range of subjects. Academia.edu also provides a platform for discussions and networking within the academic community. When it comes to downloading Ieee Bus Test System Matlab Simulink Model free PDF files of magazines, brochures, and catalogs, Issuu is a popular choice. This digital publishing platform hosts a vast collection of publications from around the world. Users can search for specific titles or explore various categories and genres. Issuu offers a seamless reading experience with its user-friendly interface and allows users to download PDF files for offline reading. Apart from dedicated platforms, search engines also play a crucial role in finding free PDF files. Google, for instance, has an advanced search feature that allows users to filter results by file type. By specifying the file type as "PDF," users can find websites that offer free PDF downloads on a specific topic. While downloading Ieee Bus Test System Matlab Simulink Model free PDF files is convenient, it's important to note that copyright laws must be respected. Always ensure that the PDF files you download are legally available for free. Many authors and publishers voluntarily provide free PDF versions of their work, but it's essential to be cautious and verify the authenticity of the source before downloading Ieee Bus Test System Matlab Simulink Model. In conclusion, the internet offers numerous platforms and websites that allow users to download free PDF files legally. Whether it's classic literature, research papers, or magazines, there is something for everyone. The platforms mentioned in this article, such as Project Gutenberg, Open Library, Academia.edu, and Issuu, provide access to a vast collection of PDF files. However, users should always be cautious and verify the legality of the source before downloading Ieee Bus Test System Matlab Simulink Model any PDF files. With these platforms, the world of PDF downloads is just a click away.

FAQs About Ieee Bus Test System Matlab Simulink Model Books

1. Where can I buy Ieee Bus Test System Matlab Simulink Model books? Bookstores: Physical bookstores like Barnes & Noble, Waterstones, and independent local stores. Online Retailers: Amazon, Book Depository, and various online bookstores offer a wide range of books in physical and digital formats.
2. What are the different book formats available? Hardcover: Sturdy and durable, usually more expensive. Paperback: Cheaper, lighter, and more portable than hardcovers. E-books: Digital books available for e-readers like Kindle or software like Apple Books, Kindle, and Google Play Books.
3. How do I choose a Ieee Bus Test System Matlab Simulink Model book to read? Genres: Consider the genre you enjoy (fiction, non-fiction, mystery, sci-fi, etc.). Recommendations: Ask friends, join book clubs, or explore online reviews and recommendations. Author: If you like a particular author, you might enjoy more of their work.
4. How do I take care of Ieee Bus Test System Matlab Simulink Model books? Storage: Keep them away from direct sunlight and in a dry environment. Handling: Avoid folding pages, use bookmarks, and handle them with clean hands. Cleaning: Gently dust the covers and pages occasionally.
5. Can I borrow books without buying them? Public Libraries: Local libraries offer a wide range of books for borrowing. Book Swaps: Community book exchanges or online platforms where people exchange books.
6. How can I track my reading progress or manage my book collection? Book Tracking Apps: Goodreads, LibraryThing, and Book Catalogue are popular apps for tracking your reading progress and managing book collections. Spreadsheets: You can create your own spreadsheet to track books read, ratings, and other details.
7. What are Ieee Bus Test System Matlab Simulink Model audiobooks, and where can I find them? Audiobooks: Audio recordings of books, perfect for listening while commuting or multitasking. Platforms: Audible, LibriVox, and Google Play Books offer a wide selection of audiobooks.
8. How do I support authors or the book industry? Buy Books: Purchase books from authors or independent bookstores. Reviews: Leave reviews on platforms like Goodreads or Amazon. Promotion: Share your favorite books on social media or recommend them to friends.
9. Are there book clubs or reading communities I can join? Local Clubs: Check for local book clubs in libraries or community centers. Online Communities: Platforms like Goodreads have virtual book clubs and discussion groups.
10. Can I read Ieee Bus Test System Matlab Simulink Model books for free? Public Domain Books: Many classic books are available for free as they're in the public domain. Free E-books: Some websites offer free e-books legally, like Project Gutenberg or Open Library.

Find Ieee Bus Test System Matlab Simulink Model :

[pam grout e2](#)

[oracle database 12c student guide argew](#)

[optical and wireless communications next generation networks electrical engineering applied signal processing series](#)

[oxford bookworms stage 6 the enemy answer](#)

[partitura de jesus alegria de los hombres de bach mundo](#)

[paulo freire s philosophy on contemporary education](#)

pathways 1 listening speaking and critical thinking pathways listening speaking critical thinking 1st first edition by chase rebecca tarver 2012

[pdf understanding business nickels mchugh mchugh mcgraw hill irwin 9th edition online](#)

[particle physics a very short introduction](#)

[partitions je vole louane accords et paroles](#)

[outlaw culture resisting representations bell hooks](#)

pandigital digital photo frame instruction manual

[oxford solutions intermediate workbook](#)

oxford bookworms library treasure island pdf wordpress

[pdf download signs of life in the usa 7th edition sonia maasik jack solomon](#)

Ieee Bus Test System Matlab Simulink Model :

feuerskälte berlin krimi band 3 ungekürzt caroline parker - May 11 2023

web feuerskälte berlin krimi band 3 ungekürzt nichts ist wie es scheint schon gar nicht das böse ein tödliches feuer weist

unheimliche parallelen

feuerskälte berlin krimi 3 kindle ausgabe amazon de - Aug 14 2023

web 0 00 gratis im audible probemonat nichts ist wie es scheint schon gar nicht das böse ein tödliches feuer weist

unheimliche parallelen zu einem fall auf der vor zehn jahren

feuerskälte berlin krimi 3 by caroline parker droplet1 ardupilot - Apr 29 2022

web this feuerskälte berlin krimi 3 by caroline parker as one of the majority working sellers here will entirely be paired with

by the best choices to review as established venture as

[feuerskälte berlin krimi band 3 ungekürzt caroline parker](#) - Mar 09 2023

web feuerskälte berlin krimi band 3 ungekürzt caroline parker hörbuch bookbeat nichts ist wie es scheint schon gar nicht das böse ein tödliches feuer weist

read free feuerskalte berlin krimi 3 - Nov 05 2022

web feuerskalte berlin krimi 3 vollständiges bücher lexicon dec 28 2019 berlin jan 21 2022 set in a devastated berlin one month after the close of the second world war

feuerskälte berlin krimi 3 german edition kindle edition - Jul 13 2023

web nov 29 2018 feuerskälte berlin krimi 3 german edition kindle edition by parker caroline download it once and read it on your kindle device pc phones or tablets use

feuerskälte berlin krimi 3 by caroline parker - Aug 02 2022

web 3 b z berlin berlin krimis buchshop ich träume deinen tod berlin krimi 3 deutsch by tatort berlin alle folgen bei tatort fans babylon berlin die fälle des berliner teams tatort ard

feuerskälte berlin krimi band 3 caroline parker - Jun 12 2023

web ein tödliches feuer weist unheimliche parallelen zu einem fall auf der vor zehn jahren die berliner mordkommission in ihren grundfesten erschüttert hatte doch der täter von

feuerskalte berlin krimi 3 wrbb neu edu - Oct 04 2022

web 2 feuerskalte berlin krimi 3 2022 05 15 murderous regimes of hitler and stalin unleashed the violence that scarred the twentieth century and shaped so much of the world we

feuerskälte berlin krimi band 3 ungekürzt overdrive - Apr 10 2023

web apr 7 2023 ein tödliches feuer weist unheimliche parallelen zu einem fall auf der vor zehn jahren die berliner mordkommission in ihren grundfesten erschüttert hatte doch

pdf feuerskälte berlin krimi 3 android yumpu - Jan 07 2023

web achtung ihr epaper wartet auf veröffentlichung durch aktivierung des dokuments werden die inhalte via ki optimal bei google indexiert und für über 500 mio epaper leser auf

caroline parker berlin krimi feuerskälte 3 - Feb 08 2023

web caroline parker berlin krimi feuerskälte 3 nichts ist wie es scheint schon gar nicht das böse ein tödliches feuer weist unheimliche parallelen zu einem fall auf der vor

kapitel 63 feuerskälte berlin krimi band 3 youtube - Sep 03 2022

web provided to youtube by zebra lution gmbh kapitel 63 feuerskälte berlin krimi band 3 caroline parker feuerskälte berlin krimi band 3 2023 hörbuchmanuf

feuerskälte berlin krimi 3 by caroline parker - Nov 24 2021

web krimis aller zeiten berlin krimis passende angebote jetzt bei weltbild de video der überläufer 3 4 der überläufer ard das erste krimibestenliste die 10 besten krimis

berlin krimi band 3 ungekürzt caroline parker qobuz - May 31 2022

web nov 29 2018 listen to unlimited or download feuerskälte berlin krimi band 3 ungekürzt by caroline parker in hi res quality on qobuz subscription from ca

300 spartalı türkçe İzlesene com - Mar 29 2022

web sep 17 2007 3 753 izlenme 01 57 maymun prens 2015 türkçe dublajlı 1 415 izlenme 05 00 ata demirer show kahkaha tufanı 2 4 275 izlenme 05 46 recep ve kara ambar

feuerskälte berlin krimi 3 by caroline parker - Dec 26 2021

web jul 15 2023 angebote jetzt bei weltbild de berlin krimis mit ermittlern aus der region büchertreff de krimis und thriller aus berlin krimis aus deutschen tatort berlin alle

pdf feuerskälte berlin krimi 3 android yumpu - Dec 06 2022

web aktuelle magazine über pdf feuerskälte berli lesen und zahlreiche weitere magazine auf yumpu com entdecken

feuerskälte berlin krimi 3 by caroline parker - Jan 27 2022

web feuerskälte berlin krimi 3 by caroline parker babylon berlin top 10 krimis und thriller aus berlin qiez die besten krimis aller zeiten bildergalerie tatort hamburg til schweiger

korku seansı 3 katil Şeytan full hd İzle site titlekorku seansı - Feb 25 2022

web korku seansı 3 katil Şeytan full İzle devamında geleceği söylenen yapımın 3 halkası bir kasabadaki cinayetin olduğundan daha farklı olmasını konu alıyor yönetmenliğini

audiobook feuerskälte berlin krimi band 3 audiobooks for - Jul 01 2022

web ein tödliches feuer weist unheimliche parallelen zu einem fall auf der vor zehn jahren die berliner mordkommission in ihren grundfesten erschüttert hatte doch der täter von

handbook of animal husbandry by manoj kumar rai overdrive ebooks - Mar 10 2023

web jun 30 2011 animal husbandry also called animal science stockbreeding or simple husbandry is the agricultural practice of breeding and raising livestock it has been practised for thousands of years since the first domestication of animals in more modern

enterbooknamehereanimalhusbandry - Feb 26 2022

web 1 enterbooknamehereanimalhusbandry if you ally infatuation such a referred enterbooknamehereanimalhusbandry books that will come up with the money for you worth get

enter book name here animal husbandry - Dec 07 2022

web enter book name here animal husbandry enter book name here animal husbandry animal husbandry amazon co uk laura zigman animal husbandry laura zigman 9780385319034 amazon com madurai animal husbandry recruitment 2018 apply for 47 adventist youth honors answer book outdoor industries animal husbandry big cat

20 animal husbandry books for free pdf infobooks org - May 12 2023

web take a look at our extensive collection of more than 20 books on animal husbandry in pdf format and discover the benefits of an essential economic activity today remember that these books are of free distribution public domain and free access

a textbook of animal husbandry g c banerjee google books - Jun 13 2023

web apr 30 2018 the revised edition is a real comprehensive integrated text to provide educational concepts and self study guide for students researchers teachers livestock extension specialists and administrators interested in the study of animal husbandry contents taxonomy domestication and animal husbandry in india an

enterbooknamehereanimalhusbandry pdf class neetprep - Sep 04 2022

web enterbooknamehereanimalhusbandry 1 enterbooknamehereanimalhusbandry enterbooknamehereanimalhusbandry downloaded from class neetprep com by guest pearson whitehead

enterbooknamehereanimalhusbandry 2022 shop pcianalytics - Jul 02 2022

web trust me i m a animal husbandry worker notebook animal husbandry worker funny gift oswaal ncert cbse question bank class 8 science book for 2022 exam a textbook of animal husbandry

enter book name here animal husbandry download only - Nov 06 2022

web enter book name here animal husbandry enter book name here animal husbandry 3 downloaded from bespoke cityam com on 2023 03 16 by guest watches and helps her grandpa max treat them max is a

enter book name here animal husbandry 2022 - Oct 05 2022

web enter book name here animal husbandry 3 3 wildlife and fisheries sciences camden house pub travel to a strange land and find out what it s like to be a piece in a chess game a variety of question styles ensure students stay engaged with the novel and better enjoy the story compare alice s movements in the mirror world to that of a pawn in

enter name here animal husbandry - Jan 08 2023

web enter name here animal husbandry as recognized adventure as competently as experience more or less lesson amusement as competently as concord can be gotten by just checking out a books enter name here animal husbandry afterward it is not directly done you could undertake even more roughly speaking this life roughly the world

animal husbandry and nutrition intechopen - Jul 14 2023

web jul 18 2018 this book focuses on the animal husbandry and nutrition based on significant evaluations by the authors of

the chapters many chapters contain general overviews on animal husbandry and nutrition from different countries

[İstanbul hayvanat bahçesi nerede İstanbul hayvanat hürriyet](#) - Dec 27 2021

web sep 10 2020 Özellikle çocuklu aileler tarafından İstanbul hayvanat bahçesi oldukça ilgi görmektedir Çoğu çocuklu aile hafta sonu etkinliği olarak İstanbul hayvanat bahçesini ziyaret etmektedir

[enter book name here animal husbandry liululu](#) - Aug 03 2022

web certain locations past era pleasure and a lot more solely expressed the enter book name here animal husbandry is internationally compatible with any devices to read you could quickly download this enter book name here animal husbandry after obtaining bargain it is your definitely own grow old to perform assessing tradition

[animal husbandry agricultural sciences books barnes noble](#) - Apr 11 2023

web explore our list of animal husbandry books at barnes noble get your order fast and stress free with free curbside pickup

[enterbooknamehereanimalhusbandry download only](#) - Feb 09 2023

web title enterbooknamehereanimalhusbandry download only atlassian eng sangoma com author cameron kenyon created date 8 26 2023 1 32 28 pm

[hp animal husbandry answer key 2022 check link to estimate](#) - Jan 28 2022

web step 1 download the hp animal husbandry answer key from the official page step 2 take a copy of omr answer sheet and marking scheme of exam step 3 add ½ marks for every correct answer step 5 there is no negative marking in the hp animal husbandry written exam step 6 sum up the correct answers to get tentative marks check the hp

[enterbooknamehereanimalhusbandry pdf kts weszlo](#) - Apr 30 2022

web gotten by just checking out a book enterbooknamehereanimalhusbandry pdf next it is not directly done you could put up with even more going on for this life approaching the world we manage to pay for you this proper as without

[animal husbandry books goodreads](#) - Aug 15 2023

web homesteading a backyard guide to growing your own food canning keeping chickens generating your own energy crafting herbal medicine and more hardcover by abigail r gehring editor shelved 3 times as animal husbandry avg rating 3 87 900 ratings published 2009 want to read

[iv welcome to agrilcareer com](#) - Jun 01 2022

web this handbook of animal husbandry is primarily mtended for the use of agricultural students and covers the syllabus prescribed by the universities in south india this will also hel p the general reader to get an idea of the general pnciples governing animal husbandry and dairying and the management of farm animals

[Çevirmen kararları doğrultusunda animal farm adlı romanın](#) - Mar 30 2022

web Çevirmen kararları doğrultusunda animal farm adlı romanın eleştiri amaçlı metinsel Çözümlemesi 58 alman okurunun

zihninde türk okuyucusunun zihnindeki gibi bir anlam sağlanabilmi midir

[old yeller 221 plays quizizz](#) - Aug 14 2023

web old yeller quiz for 8th grade students find other quizzes for english and more on quizizz for free

[old yeller novel study unit nothing but class](#) - May 31 2022

web remote learning style

old yeller journeys unit introduction to the test youtube - Mar 29 2022

web old yeller comprehension questions tammy teaches business courses at the post secondary and secondary level and has a master s of business administration in finance

[old yeller worksheets learny kids](#) - Dec 26 2021

web a bundle of old yeller mc quiz for chapters 1 8 a final quiz for old yeller featuring 34 multiple choice questions a short answer prompt and an essay question and

old yeller reading comprehension test teaching resources tpt - Feb 08 2023

web old yeller by fred gipson old yeller whole book test is a set of 50 multiple choice questions covers the whole book and checks for basic comprehension this test does

results for old yeller test tpt - Mar 09 2023

web use this online self grading spelling test using google forms to test your students spelling skills on the following words from the book old yeller 1 earth2 peer3 twirl4

old yeller lesson plans for teachers bookrags com - Aug 02 2022

web this novel study for old yeller by fred gipson contains 99 pages of resources including comprehension questions and vocabulary by chapter reading response activities

[unit test for old yeller pdf 2023](#) - Nov 24 2021

[old yeller quizzes and tests teaching resources tpt](#) - Apr 10 2023

web 15 results sort by relevance view list old yeller tests quizzes assessments printable and self grading google forms created by a plus literature

[results for old yeller study guides tpt](#) - Sep 03 2022

web what are they 3 what advice did travis father give to him with regard to hunting deer 4 what animals does travis see at the salt licks while waiting for deer 5 how does

old yeller questions and answers enotes com - Jun 12 2023

web what are travis character traits what four solutions does the family try in order to keep old yeller at home and which

solution works what is the name of the man that gave

[old yeller unit chandler unified school district](#) - Jul 01 2022

web this editable product contains multiple choice spelling tests for unit 2 lessons 6 10 for journeys 5th grade each test contains 16 multiple choice sentence questions 4

[quiz old yeller the bear proprofs quiz](#) - Feb 25 2022

web displaying top 8 worksheets found for old y eller some of the worksheets for this concept are old yeller unit objective tests thinkingwriting prompts for old yeller

results for free old yeller unit resources tpt - May 11 2023

web this novel study for old yeller by fred gipson contains 99 pages of resources including comprehension questions vocabulary activities tests and more focus standards

results for old yeller quiz tpt - Oct 24 2021

[old yeller 1 5 chapter test 2023](#) - Jul 13 2023

web old yeller 1 5 chapter test 2023 1 what is the setting of old yeller a texas in the 1860s b 1849 gold rush california c abilene kansas 1600s d 1902 oklahoma 2

old yeller study guide literature guide litcharts - Jan 07 2023

web full title old yeller when written 1950s where written texas when published 1956 literary period modernism genre children s novel setting texas hill country in the

old yeller tests quizzes assessments nothing - Dec 06 2022

web free old yeller study unit worksheets for teachers to print comprehension by chapter vocabulary challenges creative reading response activities and projects tests and

[results for old yeller journeys test tpt](#) - Apr 29 2022

web mar 21 2022 correct answer s a travis didn t recognize it because the whimpering was coming from a bear cub not arliss 9 in the story travis plans to a hit the bear with his

[old yeller worksheets and literature unit edhelper](#) - Oct 04 2022

web this lesson plan provides both full unit tests and mid unit tests you can choose from several tests that include differing combinations of multiple choice questions short

old yeller comprehension questions study com - Jan 27 2022

web mar 5 2023 novel unit for old yeller middle school novel units inc 2014 05 13 this is a combined literature and grammar unit that contains everything you need to teach the

old yeller whole book test by margaret whisnant tpt - Nov 05 2022

web gina kennedy no prep novel study for old yeller a standards based interactive notebook literature guide with follow up reading response questions for every chapter as