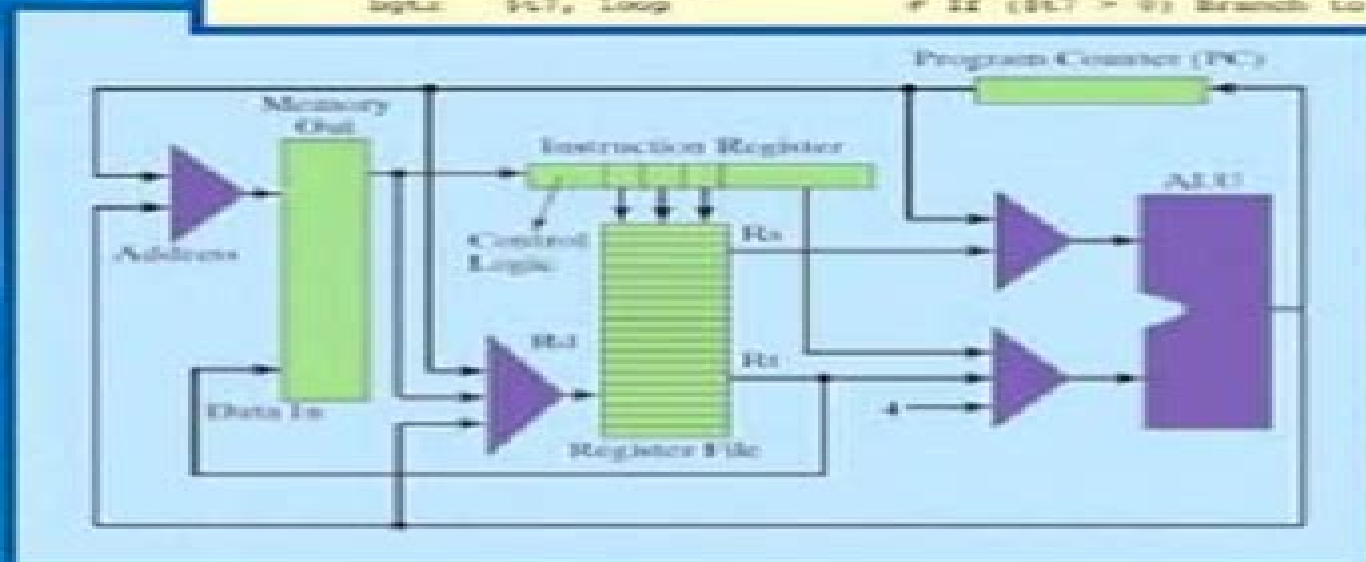


# MIPS

## Assembly Language Programming

```

li      $a2, 0           # Load immediate $a2 = 0
li      $t7, 25         # Initialize loop counter to 25
loop:   add     $a2, $a2, $t7    # $a2 = $a2 + $t7
        addi   $t7, $t7, -1    # Decrement loop counter
        bgtz  $t7, loop        # If ($t7 > 0) Branch to loop
    
```



**Robert L. Britton**

# Mips Assembly Language Programming Solutions

**JR Anderson**



## **Mips Assembly Language Programming Solutions:**

*MIPS Assembly Language Programming* Robert L. Britton, 2004 For freshman sophomore level courses in Assembly Language Programming Introduction to Computer Organization and Introduction to Computer Architecture Students using this text will gain an understanding of how the functional components of modern computers are put together and how a computer works at the machine language level MIPS architecture embodies the fundamental design principles of all contemporary RISC architectures By incorporating this text into their courses instructors will be able to prepare their undergraduate students to go on to upper division computer organization courses

**Computer Organization and Design ARM Edition** David A. Patterson, John L. Hennessy, 2016-05-06 The new ARM Edition of *Computer Organization and Design* features a subset of the ARMv8 A architecture which is used to present the fundamentals of hardware technologies assembly language computer arithmetic pipelining memory hierarchies and I O With the post PC era now upon us *Computer Organization and Design* moves forward to explore this generational change with examples exercises and material highlighting the emergence of mobile computing and the Cloud Updated content featuring tablet computers Cloud infrastructure and the ARM mobile computing devices and x86 cloud computing architectures is included An online companion Web site provides links to a free version of the DS 5 Community Edition a free professional quality tool chain developed by ARM as well as additional advanced content for further study appendices glossary references and recommended reading Covers parallelism in depth with examples and content highlighting parallel hardware and software topics Features the Intel Core i7 ARM Cortex A53 and NVIDIA Fermi GPU as real world examples throughout the book Adds a new concrete example Going Faster to demonstrate how understanding hardware can inspire software optimizations that improve performance by 200X Discusses and highlights the Eight Great Ideas of computer architecture Performance via Parallelism Performance via Pipelining Performance via Prediction Design for Moore's Law Hierarchy of Memories Abstraction to Simplify Design Make the Common Case Fast and Dependability via Redundancy Includes a full set of updated exercises

[Computer Organization and Design RISC-V Edition](#) David A. Patterson, John L. Hennessy, 2020-12-11 *Computer Organization and Design RISC V Edition The Hardware Software Interface Second Edition* the award winning textbook from Patterson and Hennessy that is used by more than 40 000 students per year continues to present the most comprehensive and readable introduction to this core computer science topic This version of the book features the RISC V open source instruction set architecture the first open source architecture designed for use in modern computing environments such as cloud computing mobile devices and other embedded systems Readers will enjoy an online companion website that provides advanced content for further study appendices glossary references links to software tools and more Covers parallelism in depth with examples and content highlighting parallel hardware and software topics Focuses on 64 bit address ISA to 32 bit address and ISA for RISC V because 32 bit RISC V ISA is simpler to explain and 32 bit address computers are still best for

applications like embedded computing and IoT Includes new sections in each chapter on Domain Specific Architectures DSA Provides updates on all the real world examples in the book Computer Organization and Design David A. Patterson, John L. Hennessy, 2012 Rev ed of Computer organization and design John L Hennessy David A Patterson 1998 □□□□□□□□□□/□□□ □ John L. Hennessy, □□□, David A. Patterson, 1999 *68000 Assembly Language Programming* J. Michael Bennett, 1987

Mastering the Art of MIPS Assembly Programming: Unlock the Secrets of Expert-Level Skills Larry Jones, 2025-02-26

Unlock the full potential of your programming expertise with Mastering the Art of MIPS Assembly Programming Unlock the Secrets of Expert Level Skills This comprehensive guide goes beyond the basics delving deep into the sophisticated landscapes of MIPS assembly language By exploring advanced architectural features intricate data handling and optimizing performance this book equips seasoned programmers with the essential skills to elevate their coding prowess and tackle complex computational challenges effectively Each meticulously crafted chapter offers a wealth of knowledge from mastering control flow instructions to harnessing the power of macros and pseudo instructions The book seamlessly integrates practical applications with theoretical insights providing readers with a balanced understanding of both the micro and macro aspects of MIPS programming With detailed explanations real world case studies and strategic debugging techniques it ensures a holistic learning experience that empowers you to develop optimized high performance solutions across various domains Whether you re interfacing MIPS with high level languages or exploring real world applications in embedded systems this book illuminates the endless possibilities of MIPS assembly programming Perfect for advanced programmers seeking to refine their skills and for professionals looking to solve cutting edge problems with efficiency and precision Mastering the Art of MIPS Assembly Programming is your definitive resource Embrace the challenge and unlock new horizons in your programming journey with this essential guide

**InfoWorld** ,1988-07-11 InfoWorld is targeted to Senior IT professionals Content is segmented into Channels and Topic Centers InfoWorld also celebrates people companies and projects ACM SIGPLAN Notices ,2004-05 **Tutorial, Microprogramming and Firmware Engineering** Veljko Milutinović, 1989

Byte ,1998 *Embedded Systems Programming* ,1999-07 **Dr. Dobb's Journal** ,1996 **Design based Research** Kirat Pal Singh, Author Impact **Novell's Guide to Netware 4.0 NLM Programming** Michael Day, Michael Koontz, Daniel Marshall, 1993 Here s a unique guide for developing NetWare server based applications filled with network programming methods techniques and theory The book contains extensive practical examples as well as sample code and thorough discussions regarding its use *ICASSP 93* ,1993 IT++ Computer Society of India. Annual Convention, Computer Society of India, Manohar Chandwani, 2005 *Proceedings* ,1982 **Introduction to MIPS Assembly Language Programming** Charles W. Kann (III.), 2015 This book was written to introduce students to assembly language programming in MIPS As with all assembly language programming texts it covers basic operators and instructions subprogram calling loading and storing memory program control and the conversion of the assembly language program into

machine code

**Datapro Directory of Microcomputer Software**, 1998

Thank you categorically much for downloading **Mips Assembly Language Programming Solutions**. Maybe you have knowledge that, people have seen numerous periods for their favorite books afterward this Mips Assembly Language Programming Solutions, but stop up in harmful downloads.

Rather than enjoying a fine book taking into consideration a mug of coffee in the afternoon, on the other hand they juggled next some harmful virus inside their computer. **Mips Assembly Language Programming Solutions** is manageable in our digital library with online access to it is set as public hence you can download it instantly. Our digital library saves in combined countries, allowing you to get the most less latency times to download any of our books subsequent to this one. Merely said, the Mips Assembly Language Programming Solutions is universally compatible later than any devices to read.

[https://py.bijouxmedusa.com/results/uploaded-files/default.aspx/wintercroft\\_fox\\_mask\\_pdf.pdf](https://py.bijouxmedusa.com/results/uploaded-files/default.aspx/wintercroft_fox_mask_pdf.pdf)

## **Table of Contents Mips Assembly Language Programming Solutions**

1. Understanding the eBook Mips Assembly Language Programming Solutions
  - The Rise of Digital Reading Mips Assembly Language Programming Solutions
  - Advantages of eBooks Over Traditional Books
2. Identifying Mips Assembly Language Programming Solutions
  - Exploring Different Genres
  - Considering Fiction vs. Non-Fiction
  - Determining Your Reading Goals
3. Choosing the Right eBook Platform
  - Popular eBook Platforms
  - Features to Look for in an Mips Assembly Language Programming Solutions
  - User-Friendly Interface
4. Exploring eBook Recommendations from Mips Assembly Language Programming Solutions
  - Personalized Recommendations
  - Mips Assembly Language Programming Solutions User Reviews and Ratings

- Mips Assembly Language Programming Solutions and Bestseller Lists
- 5. Accessing Mips Assembly Language Programming Solutions Free and Paid eBooks
  - Mips Assembly Language Programming Solutions Public Domain eBooks
  - Mips Assembly Language Programming Solutions eBook Subscription Services
  - Mips Assembly Language Programming Solutions Budget-Friendly Options
- 6. Navigating Mips Assembly Language Programming Solutions eBook Formats
  - ePub, PDF, MOBI, and More
  - Mips Assembly Language Programming Solutions Compatibility with Devices
  - Mips Assembly Language Programming Solutions Enhanced eBook Features
- 7. Enhancing Your Reading Experience
  - Adjustable Fonts and Text Sizes of Mips Assembly Language Programming Solutions
  - Highlighting and Note-Taking Mips Assembly Language Programming Solutions
  - Interactive Elements Mips Assembly Language Programming Solutions
- 8. Staying Engaged with Mips Assembly Language Programming Solutions
  - Joining Online Reading Communities
  - Participating in Virtual Book Clubs
  - Following Authors and Publishers Mips Assembly Language Programming Solutions
- 9. Balancing eBooks and Physical Books Mips Assembly Language Programming Solutions
  - Benefits of a Digital Library
  - Creating a Diverse Reading Collection Mips Assembly Language Programming Solutions
- 10. Overcoming Reading Challenges
  - Dealing with Digital Eye Strain
  - Minimizing Distractions
  - Managing Screen Time
- 11. Cultivating a Reading Routine Mips Assembly Language Programming Solutions
  - Setting Reading Goals Mips Assembly Language Programming Solutions
  - Carving Out Dedicated Reading Time
- 12. Sourcing Reliable Information of Mips Assembly Language Programming Solutions
  - Fact-Checking eBook Content of Mips Assembly Language Programming Solutions
  - Distinguishing Credible Sources

13. Promoting Lifelong Learning
  - Utilizing eBooks for Skill Development
  - Exploring Educational eBooks
14. Embracing eBook Trends
  - Integration of Multimedia Elements
  - Interactive and Gamified eBooks

### **Mips Assembly Language Programming Solutions Introduction**

In this digital age, the convenience of accessing information at our fingertips has become a necessity. Whether its research papers, eBooks, or user manuals, PDF files have become the preferred format for sharing and reading documents. However, the cost associated with purchasing PDF files can sometimes be a barrier for many individuals and organizations. Thankfully, there are numerous websites and platforms that allow users to download free PDF files legally. In this article, we will explore some of the best platforms to download free PDFs. One of the most popular platforms to download free PDF files is Project Gutenberg. This online library offers over 60,000 free eBooks that are in the public domain. From classic literature to historical documents, Project Gutenberg provides a wide range of PDF files that can be downloaded and enjoyed on various devices. The website is user-friendly and allows users to search for specific titles or browse through different categories. Another reliable platform for downloading Mips Assembly Language Programming Solutions free PDF files is Open Library. With its vast collection of over 1 million eBooks, Open Library has something for every reader. The website offers a seamless experience by providing options to borrow or download PDF files. Users simply need to create a free account to access this treasure trove of knowledge. Open Library also allows users to contribute by uploading and sharing their own PDF files, making it a collaborative platform for book enthusiasts. For those interested in academic resources, there are websites dedicated to providing free PDFs of research papers and scientific articles. One such website is Academia.edu, which allows researchers and scholars to share their work with a global audience. Users can download PDF files of research papers, theses, and dissertations covering a wide range of subjects. Academia.edu also provides a platform for discussions and networking within the academic community. When it comes to downloading Mips Assembly Language Programming Solutions free PDF files of magazines, brochures, and catalogs, Issuu is a popular choice. This digital publishing platform hosts a vast collection of publications from around the world. Users can search for specific titles or explore various categories and genres. Issuu offers a seamless reading experience with its user-friendly interface and allows users to download PDF files for offline reading. Apart from dedicated platforms, search engines also play a crucial role in finding free PDF files. Google, for instance, has an advanced search feature that allows users to filter results by file type. By specifying

the file type as "PDF," users can find websites that offer free PDF downloads on a specific topic. While downloading Mips Assembly Language Programming Solutions free PDF files is convenient, it's important to note that copyright laws must be respected. Always ensure that the PDF files you download are legally available for free. Many authors and publishers voluntarily provide free PDF versions of their work, but it's essential to be cautious and verify the authenticity of the source before downloading Mips Assembly Language Programming Solutions. In conclusion, the internet offers numerous platforms and websites that allow users to download free PDF files legally. Whether it's classic literature, research papers, or magazines, there is something for everyone. The platforms mentioned in this article, such as Project Gutenberg, Open Library, Academia.edu, and Issuu, provide access to a vast collection of PDF files. However, users should always be cautious and verify the legality of the source before downloading Mips Assembly Language Programming Solutions any PDF files. With these platforms, the world of PDF downloads is just a click away.

### FAQs About Mips Assembly Language Programming Solutions Books

**What is a Mips Assembly Language Programming Solutions PDF?** A PDF (Portable Document Format) is a file format developed by Adobe that preserves the layout and formatting of a document, regardless of the software, hardware, or operating system used to view or print it. **How do I create a Mips Assembly Language Programming Solutions PDF?** There are several ways to create a PDF: Use software like Adobe Acrobat, Microsoft Word, or Google Docs, which often have built-in PDF creation tools. Print to PDF: Many applications and operating systems have a "Print to PDF" option that allows you to save a document as a PDF file instead of printing it on paper. Online converters: There are various online tools that can convert different file types to PDF. **How do I edit a Mips Assembly Language Programming Solutions PDF?** Editing a PDF can be done with software like Adobe Acrobat, which allows direct editing of text, images, and other elements within the PDF. Some free tools, like PDFescape or Smallpdf, also offer basic editing capabilities. **How do I convert a Mips Assembly Language Programming Solutions PDF to another file format?** There are multiple ways to convert a PDF to another format: Use online converters like Smallpdf, Zamzar, or Adobe Acrobat's export feature to convert PDFs to formats like Word, Excel, JPEG, etc. Software like Adobe Acrobat, Microsoft Word, or other PDF editors may have options to export or save PDFs in different formats. **How do I password-protect a Mips Assembly Language Programming Solutions PDF?** Most PDF editing software allows you to add password protection. In Adobe Acrobat, for instance, you can go to "File" -> "Properties" -> "Security" to set a password to restrict access or editing capabilities. Are there any free alternatives to Adobe Acrobat for working with PDFs? Yes, there are many free alternatives for working with PDFs, such as: LibreOffice: Offers PDF editing features. PDFsam: Allows splitting, merging, and editing PDFs. Foxit Reader: Provides basic PDF viewing and

editing capabilities. How do I compress a PDF file? You can use online tools like Smallpdf, ILovePDF, or desktop software like Adobe Acrobat to compress PDF files without significant quality loss. Compression reduces the file size, making it easier to share and download. Can I fill out forms in a PDF file? Yes, most PDF viewers/editors like Adobe Acrobat, Preview (on Mac), or various online tools allow you to fill out forms in PDF files by selecting text fields and entering information. Are there any restrictions when working with PDFs? Some PDFs might have restrictions set by their creator, such as password protection, editing restrictions, or print restrictions. Breaking these restrictions might require specific software or tools, which may or may not be legal depending on the circumstances and local laws.

### **Find Mips Assembly Language Programming Solutions :**

[wintercroft fox mask pdf](#)

[yamaha vf250 outboard service repair manual pid range 6cbl 1002436 current supplement for motors mfg june 2011 and newer use with service manual lit 18616 03 21r](#)

**zapi eps ac**

[zora and nicky a novel in black and white](#)

*zeig mal scans*

[wing chun wikipedia](#)

[wings little mix piano sheet music pdfslibforyou](#)

[weight watchers punktabelle kostenlos en](#)

[when only love remains durjoy datta](#)

**wharton business and financial modeling capstone coursera**

**when worlds collide in manufacturing operations isa 95 best practices book 20 by gifford charlie 2011 paperback**

**wsn localization matlab code**

[wiring diagram engine 96 nissan hardbody](#)

[world history guided reading answers](#)

[what i know for sure](#)

### **Mips Assembly Language Programming Solutions :**

**foundations of genetics review sheet answer key e - May 16 2022**

web foundations of genetics review sheet answer key foundations of genetics review sheet answer key psychiatric mental

health nurse practitioner exam mcat topics

foundations of genetics genetic structure function and - Jan 24 2023

web the superstructure of genetics built upon the foundations of mendelism has many applications including cytogenetics

polyploidy human genetics eugenics plant

*welcome to ck 12 foundation ck 12 foundation* - Dec 11 2021

web aug 22 2023 pdf foundations of genetics review sheet answer key free read yeah reviewing a book foundations of genetics review sheet answer key could go

foundations of genetics review sheet answer key pdf - Oct 09 2021

**foundations of genetics worksheet by king s** - Mar 26 2023

web the slight variations among individuals that affect the chances of surviving and producing offspring proposed by darwin

what are the 3 propositions that darwin proposed an

*foundations of genetics review sheet answer key flora* - Oct 21 2022

web foundations of genetics re sheet answer key is available in our digital library an online access to it is set as public so you can download it instantly our books collection hosts

**foundations of genetics review sheet answer key** - Apr 14 2022

web sheet answer key below foundations of genetics review sheet answer key downloaded from monograf no by guest aguirre logan mendel and his peas

*foundations of genetics re sheet answer key 2023* - Jul 18 2022

web sep 17 2023 foundations of genetics review sheet answer key 1 1 downloaded from uniport edu ng on september 17 2023 by guest foundations of genetics review

*answer key fundamentals of genetics practice test* - Jul 30 2023

web oct 13 2014 answer key fundamentals of genetics practice test 13 10 2014 views share embed flag

**foundations of genetics re sheet answer key 2023** - Sep 19 2022

web apr 1 2023 foundations of genetics review sheet answer key 1 17 downloaded from uniport edu ng on april 1 2023 by guest foundations of genetics review sheet

foundations of genetics review sheet answer key pdf - Jun 16 2022

web 4 foundations of genetics review sheet answer key 2022 02 19 created date 11 21 2020 6 10 16 amfoundations of genetics review sheet answer

*foundations of genetics review sheet answer key 2022* - Mar 14 2022

web dec 18 2022 fundamentals of genetics skills worksheet answer key december 18 2022 by tamble fundamentals of genetics skills worksheet answer key functional

**foundations of genetics review sheet answer key pdf** - Jun 28 2023

web feb 20 2023 foundations of genetics review sheet answer key 1 1 downloaded from uniport edu ng on february 20 2023 by guest foundations of genetics review sheet

foundations of genetics skills worksheet answer key - Feb 10 2022

web foundations of genetics review sheet answer key foundations of genetics review sheet answer key 2 downloaded from bespoke cityam com on 2023 03 12 by guest in

*foundations of biology final exam flashcards quizlet* - Feb 22 2023

web molecular genetics provides the basis for understanding patterns of health and disease in people and is part of the scientific foundation on which acute and critical care nurses

**foundations of genetics review sheet answer key pdf** - Nov 21 2022

web diseases analysis of the genetics of cancer childhood vs adult inherited predisposition vs sporadic genome instability at telomeres evaluation of next generation dna

**foundations of genetics review sheet answer key pdf** - May 28 2023

web foundations of genetics review sheet answer key 1 1 downloaded from uniport edu ng on september 21 2023 by guest foundations of genetics review sheet answer key

*foundations of genetics review sheet answer key copy* - Apr 26 2023

web sep 13 2023 chapter 1 19 practice tests with answer key molecular biology mcqs book online pdf download includes revision guide for problem solving with hundreds

**foundations of genetics review sheet answer key uniport edu** - Aug 19 2022

web foundations of genetics re sheet answer key a literary masterpiece penned by a renowned author readers set about a transformative journey unlocking the secrets and

*foundations of genetics chapter exam study com* - Aug 31 2023

web test and improve your knowledge of foundations of genetics with fun multiple choice exams you can take online with study com

**foundations of genetics review sheet answer key** - Jan 12 2022

web sep 8 2014 check that students record the letter of the squash sheet on their human karyotype form sheet for additional research students can use the human genome

**pdf foundations of genetics review sheet answer key free** - Nov 09 2021

web sep 16 2023 answers pdf download a book to review practice questions and answers on chapters bioenergetics biological molecules cell biology coordination and control

**the foundations of genetics sciencedirect** - Dec 23 2022

web foundations of genetics review sheet answer key 1 1 downloaded from uniport edu ng on september 18 2023 by guest foundations of genetics review sheet answer key

**amazon com evan moor emc2798 a1 daily language review** - Sep 27 2022

web apr 24 2018 buy evan moor emc2798 a1 daily language review teacher s edition book grade 8 early childhood education materials amazon com free delivery

□□□□ □□□□ □□□□□ □□□ □□□□□□ □□□□ □□□□ □□□□□ □□□□□ - Jan 20 2022

web □□□ □□ □□□□ use patterns to multiply by 5 □□□ □□ □□□□□ □□□□ □□□□□□□□□□ solve problems involving equal groups □□□□□ □□□□ □□□□□□□□□□

daily language review emc 2798 answers pdf - Jun 24 2022

web daily language review emc 2798 answers medical aspects of biological warfare hazards associated with animal feed water quality characteristics of inflow to and

daily language review emc 2798 answer pdf pdf - Oct 29 2022

web daily language review emc 2798 answer pdf introduction daily language review emc 2798 answer pdf pdf title daily language review emc 2798 answer pdf pdf

**daily language review grade 8 week 2 answer key answers** - Aug 07 2023

web sample of my 36 week daily language review 8th grade daily language review answer key grade 8 grade 8 daily language review 8 emc 2798 emc 2798

*daily language review grade 8 emc2798* - Jun 05 2023

web reviews this bestselling 36 week program provides frequent focused practice of essential language skills and has been completely updated to support the common core state

daily language review emc 2798 answer uniport edu - Apr 22 2022

web daily language review emc 2798 answer yeah reviewing a book daily language review emc 2798 answer could add your close links listings this is just one of the solutions for

**daily language review emc 2798 answer api mobomo** - Aug 27 2022

web daily language review emc 2798 answer grade 8 correlated to state standards daily practice books daily language review grade 8 evan moor teaching daily

*daily language re emc 2798 answers download only* - Nov 29 2022

web daily language re emc 2798 answers download only created date 20220822020037pm

*daily language review grade 8 evan moor emc2798* - Sep 08 2023

web reviews this bestselling 36 week program provides frequent focused practice of essential language skills and has been completely updated to support the common core state

grammar and usage evan moor capitalization emc 2798 - Feb 01 2023

web 110 20 english language arts and reading grade 8 week 1 2 3 4 5 6 7 8 9 10 11 12 13 14 15 16 17 18 2 reading vocabulary development students understand new

**daily language review emc 2798 answer 2022 ai classmonitor** - Dec 19 2021

web daily language review emc 2798 answer 1 daily language review emc 2798 answer index of publications on biological effects of electromagnetic radiation 0 100 ghz

**daily language review grade 8 evan moor emc2798** - May 04 2023

web reviews this bestselling 36 week program provides frequent focused practice of essential language skills and has been completely updated to support the common core state

daily language review emc 2798 answer download only - Nov 17 2021

web daily language review emc 2798 answer downloaded from data northitalia com by guest reagan evelin daily language review grade 1 national academies press this four

*daily language review grade 8 teacher s edition e* - Jul 06 2023

web description emc number 2798i page count 136 ean 9781608237241 students practice language skills covering punctuation verb tense conjunctions word meaning and more

*daily language review emc 2798 answers read only* - Mar 02 2023

web daily language review emc 2798 answers 2010 05 31 4 17 daily language review emc 2798 answers daily language review 2010 01 01 daily language review presents

□□□□□ □□□□□□ **2022** □□□□□ □□□□ □□□□□ □□□□□ □□□□□□□□□ □□□□ □□ - Jul 26 2022

web aug 9 2021 □□□□ □□□□□ □□□□□ □□□□□ □□□□□□□□□ □□□□ □□ 1 21 8 9 □□□□□□ □□□□ □□□□□□□□ □□□□□□ □□□□

□□□□□□ 2022 □□□□□ □□□□ □□□□□ □□□□□ □□□□□□ □□□□ □□ □□□□□ □□□□□□□ 2022 □□□□□□

**2023 2022** □□□□□ □□□□□□ □□□□□ □□□□□ □□□□ □□□□□□ □□□□□ □□□□□ □□□□□ □□ - Feb 18 2022

web sep 6 2023 □□□□□□ □□□□□□ □□□□□□ 2023 2022 □□□□□ □□□□□□ □□□□□ □□□□□ □□□□ □□□□□□ □□□□□□ □□□□□ □□□□□ □□

□□□□ □□□□□□ □□□□□□ 2022 □□□ □□□ □□□□ □□ □□□□□□ □□□□□□ □□□□□□ □□ □□□□□ □□□□□□□□ 2022 □□□□□ □□□□□ □□□□□□ □□□□□

*daily language review grade 8 evan moor corporation* - Oct 09 2023



hall richard 9780893462703 abebooks

**humphrey the lost whale a true story canlearn com** - Oct 05 2022

web illustrator hanako wakiyama publisher heian international inc description in the story based on the journey of a california humpback whale humphrey the lost whale a true story follows the amazing journey of wrong way humphrey as he finds his way back to the sea with the help of some friends

**humphrey the lost whale a true story metacritic** - Jun 01 2022

web jane pauley narrates the true story of humphrey the lost whale all about a humpback whale who gets separated from his pod and gets stuck under a bridge over the sacramento river genre s kids season 7 episodes tbd s7 e10 sports pages air date march 30 1990 tbd s7 e9 bored nothing to do air date march 29 1990 tbd s7 e8

**humphrey the lost whale a true story imdb** - Jul 14 2023

web humphrey the lost whale a true story directed by dean parisot with levar burton jane pauley levar is sailing on the atlantic coast whale watching he and a team of scientists learn about how whales eat and how they live in their habitats in the ocean

humphrey the lost whale a true story barnes noble - Sep 04 2022

web oct 21 2014 in october 1985 a forty five foot long forty ton humpback whale wandered into san francisco bay and for twenty six days struggled mightily to find his way back to the ocean this true illustrated story of humphrey s adventure has been a children s favorite for more than twenty five years

**humphrey the lost whale read aloud youtube** - Mar 30 2022

web may 25 2020 7 share save 497 views 3 years ago ms block reads a true story about a whale named humphrey who gets lost in the san francisco bay more more try

**humphrey the lost whale by wendy tokuda goodreads** - Apr 30 2022

web jan 1 2001 humphrey the lost whale by wendy tokuda goodreads jump to ratings and reviews want to read kindle 3 49 rate this book humphrey the lost whale wendy tokuda richard hall hanako wakiyama illustrations 4 19 262 ratings31 reviews the true story of wrong way humphrey genres picture books animals nonfiction childrens

**humphrey the lost whale a true story reading rainbow wiki** - Jul 02 2022

web humphrey the lost whale a true story is episode 1 in season 7 it originally aired on july 3 1989 synopsis the episode begins with levar getting up early in the morning to join a whale watching crew they are going to search for one s of nature s exciting creatures the humpback whale

humphrey the lost whale a true story tokuda wendy free - Nov 06 2022

web may 6 2022 language english 34 p 27 cm describes how a migrating humpback whale mistakenly entered the san

francisco bay in 1985 and swam sixty four miles inland before being led back to the sea by people concerned for his welfare  
maps on lining papers access restricted item true addeddate

**humphrey the lost whale a true story worldcat org** - Feb 09 2023

web humphrey the lost whale a true story summary describes how a migrating humpback whale mistakenly entered the san francisco bay in 1985 and swam sixty four miles inland before being led back to the sea by people concerned for his welfare

*humphrey the lost whale a true story worldcat org* - Aug 03 2022

web humphrey the lost whale a true story authors lebar burton wendy tokuda great plains national instructional library wned  
tv television station buffalo n y summary describes how a migrating humpback whale mistakenly entered the san francisco bay in 1985 and swam sixty four miles inland before being led back to the sea by people

humphrey the lost whale a true story amazon com - Jun 13 2023

web jan 1 1986 humphrey the lost whale a true story 9 95 198 in stock describes how a migrating humpback whale mistakenly entered the san francisco bay in 1985 and swam sixty four miles inland before being led back to the sea by people concerned for his welfare reading age 5 9 years print length 32 pages language english

**reading rainbow humphrey the lost whale a true story tv** - Feb 26 2022

web he and a team of scientists learn about how whales eat and how they live in their habitats in the ocean jane pauley narrates the true story of humphrey the lost whale all about a humpback whale who gets separated from his pod and gets stuck under a bridge over the sacramento river

**humphrey the lost whale a true story amazon com** - May 12 2023

web oct 21 2014 in october 1985 a forty five foot long forty ton humpback whale wandered into san francisco bay and for twenty six days struggled mightily to find his way back to the ocean this true illustrated story of humphrey s adventure has been a children s favorite for more than twenty five years

*humphrey the lost whale a true story kağıt kapak* - Jan 08 2023

web humphrey the lost whale a true story tokuda wendy hall richard amazon com tr kitap

reading rainbow episode 56 humphrey the lost whale a true story - Dec 27 2021

web sep 9 2023 reading rainbow episode 56 humphrey the lost whale a true storyoriginal air date july 3rd 1989 if you like what we do you can support us on patreon at ht