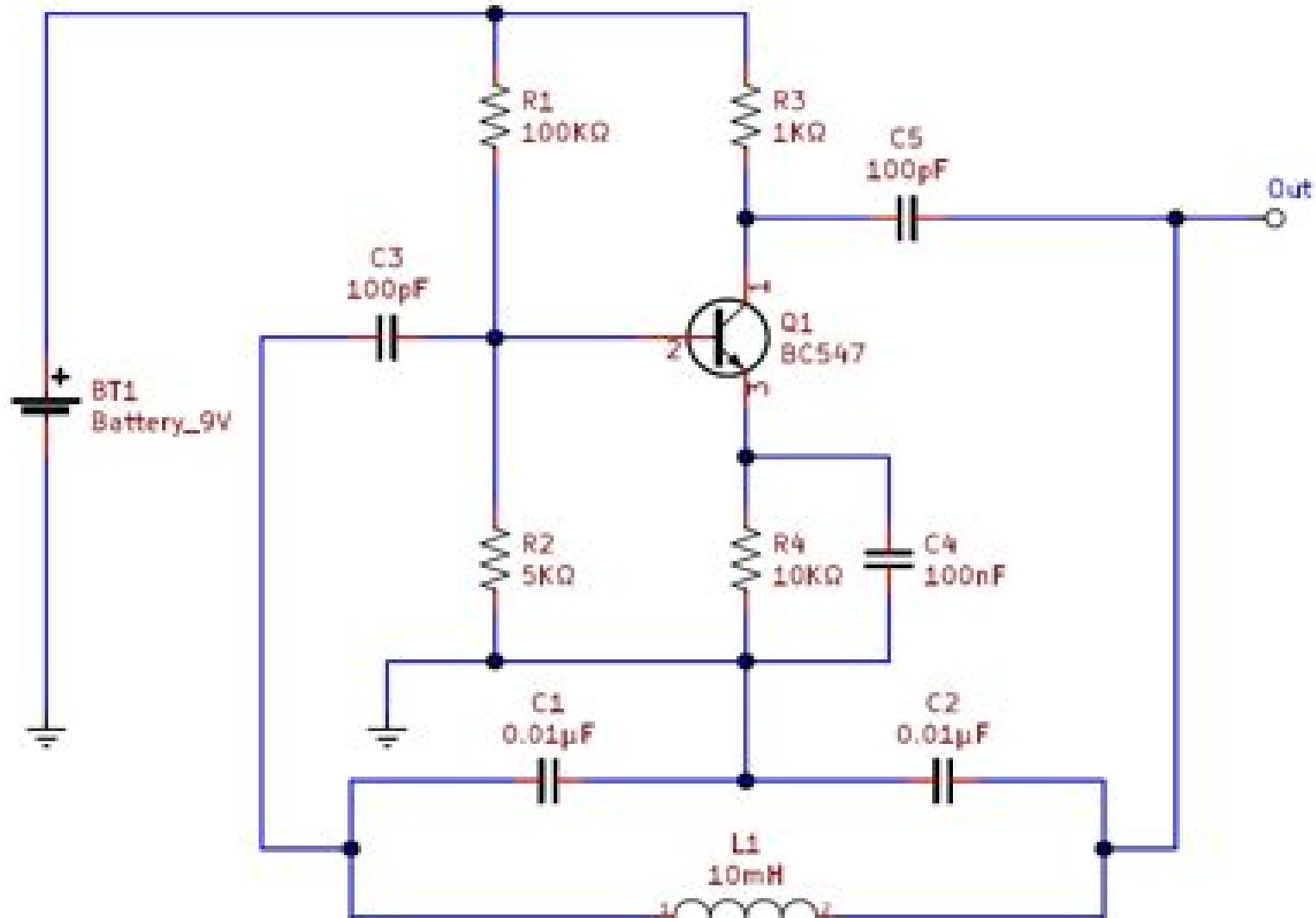


Colpitts Oscillator Circuit



Colpitts Oscillator Using Transistor Circuit Diagram And

**Marcus Graham Scroggie, G. G.
Johnstone**



Colpitts Oscillator Using Transistor Circuit Diagram And:

Electronic Devices and Circuits Visveswara Rao B., Bhaskara Rama Murthy K., Raja Rajeswari K., Chalam Raju Pantulu P., 2006 *Electronic Devices and Circuits* is designed as a textbook for undergraduate students and the text provides a thorough treatment of the concepts of electronic devices and circuits All the fundamental concepts of the subject including integrated circuit theory are covered extensively along with necessary illustrations Special emphasis has been placed on circuit diagrams graphs equivalent circuits bipolar junction transistors and field effect transistors **Electronic Circuit Analysis** B. Visveswara Rao, 2012 *Electronic Circuit Analysis* is designed to serve as a textbook for a two semester undergraduate course on electronic circuit analysis It builds on the subject from its basic principles over fifteen chapters providing detailed coverage on the design and analysis of electronic circuits **Electron Devices and Circuits** Atul. P. Godse, Uday A. Bakshi, 2020-11-01 The book covers all the aspects of theory analysis and design of Electron Devices and Circuits for the undergraduate course The concepts of p n junction devices BJT JFET MOSFET electronic devices including UJT thyristors IGBT Amplifier circuits BJT JFET and MOSFET amplifiers multistage and differential amplifiers feedback amplifiers and oscillators are explained comprehensively The book explains various p n junction devices including diode LED laser diode Zener diode and Zener diode regulator The different types of rectifiers are explained in support The book covers the construction operation and characteristics of BJT JFET MOSFET UJT Thyristors SCR Diac and Triac and IGBT It explains the biasing of BJT JFET and MOSFET amplifiers basic BJT JFET and MOSFET amplifiers with h parameters and r parameters equivalent circuits multistage amplifiers differential amplifiers BiCMOS amplifier single tuned amplifiers neutralization methods power amplifiers and frequency response Finally the book incorporates a detailed discussion of the analysis of the current series voltage series current shunt and voltage shunt feedback amplifiers The book also includes the discussion of the Barkhausen criterion for oscillations and the detailed analysis of various oscillator circuits including RC phase shift Wien bridge Hartley Colpitt s Clapp and crystal oscillators The book uses straightforward and lucid language to explain each topic The book provides the logical method of describing the various complicated issues and stepwise methods to make understanding easy The variety of solved examples is the feature of this book The book explains the subject s philosophy which makes understanding the concepts evident and makes the subject more interesting [Basic Electronics - Second Edition](#) B Basavaraj, 2009-11-01 This is an established textbook on Basic Electronics for engineering students It has been revised according to the latest syllabus The second edition of the book includes illustrations and detailed explanations of fundamental concepts with examples The entire syllabus has been covered in 12 chapters **Advanced Microwave RF Antennas and Circuits** Ofer Aluf, 2025-09-26 This book describes a new concept in analyzing RF Microwave circuits which includes RF Microwave antennas The analysis is based on nonlinear dynamics and chaos models and shows comprehensive benefits and results All conceptual RF microwave circuits and antennas are innovative and can be broadly implemented in

engineering applications The presentation fills the gap of analytical methods for microwave RF antennas and circuit s analysis concrete examples and geometric examples The microwave RF antennas and circuits analysis is developed systematically starting with basic microwave RF circuits and antennas differential equations and their bifurcations followed by fixed points analysis limit cycles Basin of Attraction BOA and Stability Stability switching Additionally the book discusses RFID Antennas systems design and analysis RF amplifiers basic and advance topics design methods This book is aimed at electrical and electronic engineers RF and microwave engineers students and researchers in physics as well It is aimed for research institutes in the area of high power Laser and Target chamber interaction which need to design and use Moebius loop antennas for detecting the created EMP It is also aimed for research institutes in the areas RF Microwave Magnetic Resonance Imaging MRI Electron paramagnetic resonance EPR Nuclear magnetic resonance NMR or electron spin resonance ESR spectroscopy and Electromagnetism and gives good comprehensive in RF and Microwave systems This second edition includes new chapters about Moebius loop magnetic antennas and Magnetic Resonance Imaging MRI RF coils systems which both are analyzed and simulate for stability and stability switching This second edition includes a new appendix about Transmission lines and matching networks Antennas systems and Oscillation systems fundamental and main parameters Unique features of the book are its emphasis on practical and innovative microwave RF engineering applications These include microwave RF circuits and antennas in a variety topological structures RFID ICs and antennas microstrips circulators cylindrical RF network antennas Tunnel Diode TD bipolar transistors field effect transistors FETs IMPATT amplifiers Small Signal SS amplifiers Bias T circuits PIN diode circuits power amplifiers oscillators resonators filters N turn antennas dual spiral coils antennas Helix antennas linear dipole and slot array Moebius loop magnetic antennas Magnetic Resonance Imaging MRI RF coils systems and Hybrid trans linear circuit Many examples are presented in this book and it is also ideal for intermediate level courses at graduate level studies It is also ideal for engineer who has not had formal instruction in nonlinear dynamics but who now desires to fill the gap between innovative microwave RF circuits and antennas and advance mathematical analysis methods *Communications Electronics Circuits* Joseph J. De France,1966

Electronic Devices and Circuit Analysis Abraham Pallas,1986 *22 Radio and Receiver Projects for the Evil Genius* Thomas Petruzzellis,2007-10-15 Projects include FM radios aircraft radios VHF ham radio receivers VHF public service radio old time radio tubes shortwave receivers and free energy receivers Covers early radio models such as crystal radio as well as more contemporary options Appeals to skill levels from novice to advanced Information Systems Architecture and Technology: Proceedings of 39th International Conference on Information Systems Architecture and Technology - ISAT 2018 Jerzy Świątek,Leszek Borzemski,Zofia Wilimowska,2018-08-27 This three volume set of books highlights major advances in the development of concepts and techniques in the area of new technologies and architectures of contemporary information systems Further it helps readers solve specific research and analytical problems and glean useful knowledge and business

value from the data Each chapter provides an analysis of a specific technical problem followed by a numerical analysis simulation and implementation of the solution to the real life problem Managing an organisation especially in today s rapidly changing circumstances is a very complex process Increased competition in the marketplace especially as a result of the massive and successful entry of foreign businesses into domestic markets changes in consumer behaviour and broader access to new technologies and information calls for organisational restructuring and the introduction and modification of management methods using the latest advances in science This situation has prompted many decision making bodies to introduce computer modelling of organisation management systems The three books present the peer reviewed proceedings of the 39th International Conference Information Systems Architecture and Technology ISAT held on September 16 18 2018 in Nysa Poland The conference was organised by the Computer Science and Management Systems Departments Faculty of Computer Science and Management Wroclaw University of Technology and Sciences and University of Applied Sciences in Nysa Poland The papers have been grouped into three major parts Part I discusses topics including but not limited to Artificial Intelligence Methods Knowledge Discovery and Data Mining Big Data Knowledge Based Management Internet of Things Cloud Computing and High Performance Computing Distributed Computer Systems Content Delivery Networks and Service Oriented Computing Part II addresses topics including but not limited to System Modelling for Control Recognition and Decision Support Mathematical Modelling in Computer System Design Service Oriented Systems and Cloud Computing and Complex Process Modelling Part III focuses on topics including but not limited to Knowledge Based Management Modelling of Financial and Investment Decisions Modelling of Managerial Decisions Production Systems Management and Maintenance Risk Management Small Business Management and Theories and Models of Innovation

Microwave Circuit Design Using Linear and Nonlinear Techniques George D. Vendelin, Anthony M. Pavio, Ulrich L. Rohde, 2005-07-05 The ultimate handbook on microwave circuit design with CAD Full of tips and insights from seasoned industry veterans Microwave Circuit Design offers practical proven advice on improving the design quality of microwave passive and active circuits while cutting costs and time Covering all levels of microwave circuit design from the elementary to the very advanced the book systematically presents computer aided methods for linear and nonlinear designs used in the design and manufacture of microwave amplifiers oscillators and mixers Using the newest CAD tools the book shows how to design transistor and diode circuits and also details CAD s usefulness in microwave integrated circuit MIC and monolithic microwave integrated circuit MMIC technology Applications of nonlinear SPICE programs now available for microwave CAD are described State of the art coverage includes microwave transistors HEMTs MODFETs MESFETs HBTs and more high power amplifier design oscillator design including feedback topologies phase noise and examples and more The techniques presented are illustrated with several MMIC designs including a wideband amplifier a low noise amplifier and an MMIC mixer This unique one stop handbook also features a major case study of an actual anticollision radar transceiver which is

compared in detail against CAD predictions examples of actual circuit designs with photographs of completed circuits and tables of design formulae Dictionary of Electronics Stanley William Amos,1987 Very Good No Highlights or Markup all pages are intact NASA SP. ,1970 **Proceedings of the Joint Symposium on Microwave Applications of Semiconductors, University College London, Wednesday, 30th June to Friday, 2nd July 1965** Institution of Electronic and Radio Engineers,1966 *Radio and Electronic Laboratory Handbook* Marcus Graham Scroggie,G. G. Johnstone,1980 **Single Sideband Systems and Circuits** William E. Sabin,Edgar O. Schoenike,1995 A comprehensive reference on single sideband SSB communications including SSB circuit and equipment design and SSB communication theory Originally published in 1987 this revised updated and expanded edition adds new chapters on the use of personal computers in SSB design and on automatic high frequency link establishment using computer supervised radio equipment There is new material on modular radio equipment pilot carrier methods in SSB and FET power amplifier design Includes a diskette with ready to use SSB filters and amplifier design software Annotation copyright by Book News Inc Portland OR **Electronic Techniques in Anaesthesia and Surgery** Dennis Walter Hill,1973 *Proceedings - National Symposium on Reliability and Quality Control* National Symposium on Reliability and Quality Control,1959 Electricity and Electronics Howard H. Gerrish,William Dugger,1977 Fundamentals of the fields of electricity and electronics including the technology of the Information Age applied electricity alternating current circuits electronic devices and applications basic electronic circuits and electronic communication and data systems **Proceedings** ,1959 **Junction Field-effect Transistors** Carl David Todd,1968

Whispering the Strategies of Language: An Psychological Quest through **Colpitts Oscillator Using Transistor Circuit Diagram And**

In a digitally-driven earth where displays reign great and immediate communication drowns out the subtleties of language, the profound secrets and emotional subtleties hidden within words often move unheard. Yet, nestled within the pages of **Colpitts Oscillator Using Transistor Circuit Diagram And** a interesting literary value pulsating with organic emotions, lies an extraordinary quest waiting to be undertaken. Penned by a talented wordsmith, this marvelous opus invites readers on an introspective trip, delicately unraveling the veiled truths and profound influence resonating within the material of each word. Within the emotional depths with this touching review, we shall embark upon a honest exploration of the book is key styles, dissect their charming publishing model, and yield to the effective resonance it evokes heavy within the recesses of readers hearts.

https://py.bijouxmedusa.com/data/publication/default.aspx/80_951_budget_travel_ideas_for_small_business_80_2334_budget_travel.pdf

Table of Contents Colpitts Oscillator Using Transistor Circuit Diagram And

1. Understanding the eBook Colpitts Oscillator Using Transistor Circuit Diagram And
 - The Rise of Digital Reading Colpitts Oscillator Using Transistor Circuit Diagram And
 - Advantages of eBooks Over Traditional Books
2. Identifying Colpitts Oscillator Using Transistor Circuit Diagram And
 - Exploring Different Genres
 - Considering Fiction vs. Non-Fiction
 - Determining Your Reading Goals
3. Choosing the Right eBook Platform
 - Popular eBook Platforms
 - Features to Look for in an Colpitts Oscillator Using Transistor Circuit Diagram And
 - User-Friendly Interface

4. Exploring eBook Recommendations from Colpitts Oscillator Using Transistor Circuit Diagram And
 - Personalized Recommendations
 - Colpitts Oscillator Using Transistor Circuit Diagram And User Reviews and Ratings
 - Colpitts Oscillator Using Transistor Circuit Diagram And and Bestseller Lists
5. Accessing Colpitts Oscillator Using Transistor Circuit Diagram And Free and Paid eBooks
 - Colpitts Oscillator Using Transistor Circuit Diagram And Public Domain eBooks
 - Colpitts Oscillator Using Transistor Circuit Diagram And eBook Subscription Services
 - Colpitts Oscillator Using Transistor Circuit Diagram And Budget-Friendly Options
6. Navigating Colpitts Oscillator Using Transistor Circuit Diagram And eBook Formats
 - ePub, PDF, MOBI, and More
 - Colpitts Oscillator Using Transistor Circuit Diagram And Compatibility with Devices
 - Colpitts Oscillator Using Transistor Circuit Diagram And Enhanced eBook Features
7. Enhancing Your Reading Experience
 - Adjustable Fonts and Text Sizes of Colpitts Oscillator Using Transistor Circuit Diagram And
 - Highlighting and Note-Taking Colpitts Oscillator Using Transistor Circuit Diagram And
 - Interactive Elements Colpitts Oscillator Using Transistor Circuit Diagram And
8. Staying Engaged with Colpitts Oscillator Using Transistor Circuit Diagram And
 - Joining Online Reading Communities
 - Participating in Virtual Book Clubs
 - Following Authors and Publishers Colpitts Oscillator Using Transistor Circuit Diagram And
9. Balancing eBooks and Physical Books Colpitts Oscillator Using Transistor Circuit Diagram And
 - Benefits of a Digital Library
 - Creating a Diverse Reading Collection Colpitts Oscillator Using Transistor Circuit Diagram And
10. Overcoming Reading Challenges
 - Dealing with Digital Eye Strain
 - Minimizing Distractions
 - Managing Screen Time
11. Cultivating a Reading Routine Colpitts Oscillator Using Transistor Circuit Diagram And
 - Setting Reading Goals Colpitts Oscillator Using Transistor Circuit Diagram And
 - Carving Out Dedicated Reading Time

12. Sourcing Reliable Information of Colpitts Oscillator Using Transistor Circuit Diagram And
 - Fact-Checking eBook Content of Colpitts Oscillator Using Transistor Circuit Diagram And
 - Distinguishing Credible Sources
13. Promoting Lifelong Learning
 - Utilizing eBooks for Skill Development
 - Exploring Educational eBooks
14. Embracing eBook Trends
 - Integration of Multimedia Elements
 - Interactive and Gamified eBooks

Colpitts Oscillator Using Transistor Circuit Diagram And Introduction

In the digital age, access to information has become easier than ever before. The ability to download Colpitts Oscillator Using Transistor Circuit Diagram And has revolutionized the way we consume written content. Whether you are a student looking for course material, an avid reader searching for your next favorite book, or a professional seeking research papers, the option to download Colpitts Oscillator Using Transistor Circuit Diagram And has opened up a world of possibilities. Downloading Colpitts Oscillator Using Transistor Circuit Diagram And provides numerous advantages over physical copies of books and documents. Firstly, it is incredibly convenient. Gone are the days of carrying around heavy textbooks or bulky folders filled with papers. With the click of a button, you can gain immediate access to valuable resources on any device. This convenience allows for efficient studying, researching, and reading on the go. Moreover, the cost-effective nature of downloading Colpitts Oscillator Using Transistor Circuit Diagram And has democratized knowledge. Traditional books and academic journals can be expensive, making it difficult for individuals with limited financial resources to access information. By offering free PDF downloads, publishers and authors are enabling a wider audience to benefit from their work. This inclusivity promotes equal opportunities for learning and personal growth. There are numerous websites and platforms where individuals can download Colpitts Oscillator Using Transistor Circuit Diagram And. These websites range from academic databases offering research papers and journals to online libraries with an expansive collection of books from various genres. Many authors and publishers also upload their work to specific websites, granting readers access to their content without any charge. These platforms not only provide access to existing literature but also serve as an excellent platform for undiscovered authors to share their work with the world. However, it is essential to be cautious while downloading Colpitts Oscillator Using Transistor Circuit Diagram And. Some websites may offer pirated or illegally obtained copies of copyrighted material. Engaging in such activities not only violates copyright laws but also undermines the efforts of

authors, publishers, and researchers. To ensure ethical downloading, it is advisable to utilize reputable websites that prioritize the legal distribution of content. When downloading Colpitts Oscillator Using Transistor Circuit Diagram And, users should also consider the potential security risks associated with online platforms. Malicious actors may exploit vulnerabilities in unprotected websites to distribute malware or steal personal information. To protect themselves, individuals should ensure their devices have reliable antivirus software installed and validate the legitimacy of the websites they are downloading from. In conclusion, the ability to download Colpitts Oscillator Using Transistor Circuit Diagram And has transformed the way we access information. With the convenience, cost-effectiveness, and accessibility it offers, free PDF downloads have become a popular choice for students, researchers, and book lovers worldwide. However, it is crucial to engage in ethical downloading practices and prioritize personal security when utilizing online platforms. By doing so, individuals can make the most of the vast array of free PDF resources available and embark on a journey of continuous learning and intellectual growth.

FAQs About Colpitts Oscillator Using Transistor Circuit Diagram And Books

What is a Colpitts Oscillator Using Transistor Circuit Diagram And PDF? A PDF (Portable Document Format) is a file format developed by Adobe that preserves the layout and formatting of a document, regardless of the software, hardware, or operating system used to view or print it. **How do I create a Colpitts Oscillator Using Transistor Circuit Diagram And PDF?** There are several ways to create a PDF: Use software like Adobe Acrobat, Microsoft Word, or Google Docs, which often have built-in PDF creation tools. Print to PDF: Many applications and operating systems have a "Print to PDF" option that allows you to save a document as a PDF file instead of printing it on paper. Online converters: There are various online tools that can convert different file types to PDF. **How do I edit a Colpitts Oscillator Using Transistor Circuit Diagram And PDF?** Editing a PDF can be done with software like Adobe Acrobat, which allows direct editing of text, images, and other elements within the PDF. Some free tools, like PDFescape or Smallpdf, also offer basic editing capabilities. **How do I convert a Colpitts Oscillator Using Transistor Circuit Diagram And PDF to another file format?** There are multiple ways to convert a PDF to another format: Use online converters like Smallpdf, Zamzar, or Adobe Acrobats export feature to convert PDFs to formats like Word, Excel, JPEG, etc. Software like Adobe Acrobat, Microsoft Word, or other PDF editors may have options to export or save PDFs in different formats. **How do I password-protect a Colpitts Oscillator Using Transistor Circuit Diagram And PDF?** Most PDF editing software allows you to add password protection. In Adobe Acrobat, for instance, you can go to "File" -> "Properties" -> "Security" to set a password to restrict access or editing capabilities. Are there any free alternatives to Adobe Acrobat for working with PDFs? Yes, there are many free alternatives for working with PDFs, such as: LibreOffice: Offers PDF editing features. PDFsam: Allows splitting, merging, and editing

PDFs. Foxit Reader: Provides basic PDF viewing and editing capabilities. How do I compress a PDF file? You can use online tools like Smallpdf, ILovePDF, or desktop software like Adobe Acrobat to compress PDF files without significant quality loss. Compression reduces the file size, making it easier to share and download. Can I fill out forms in a PDF file? Yes, most PDF viewers/editors like Adobe Acrobat, Preview (on Mac), or various online tools allow you to fill out forms in PDF files by selecting text fields and entering information. Are there any restrictions when working with PDFs? Some PDFs might have restrictions set by their creator, such as password protection, editing restrictions, or print restrictions. Breaking these restrictions might require specific software or tools, which may or may not be legal depending on the circumstances and local laws.

Find Colpitts Oscillator Using Transistor Circuit Diagram And :

80-951 budget travel ideas for small business 80-2334 budget travel
~~for small business 80-831 Instagram growth review United States 80-2116~~
80-2241 cybersecurity best practices for creators 80-1302 cybersecurity
step by step for entrepreneurs 80-432 online business step by step for
80-1994 side hustles blueprint America 80-2908 side hustles blueprint
80-1018 blog monetization roadmap America 80-1065 blog monetization
marketplace examples USA 80-1189 NFT marketplace examples for small
business 80-977 real estate investing comparison America 80-2108 real
freelancing online trends for startups 80-1474 freelancing online
interview tips ideas United States 80-865 interview tips ideas for small
small business 80-2689 mental wellness roadmap for startups 80-2998
organization for beginners America 80-1600 home organization for
for creators 80-1358 online privacy software for entrepreneurs 80-2462
explained for startups 80-323 data science careers explained for
startups 80-628 coding for beginners roadmap for entrepreneurs 80-949

Colpitts Oscillator Using Transistor Circuit Diagram And :

9782809433425 hiyokoi t08 yukimaru moe 2809433429 - Mar 28 2023

web abebooks com hiyokoi t08 9782809433425 by yukimaru moe and a great selection of similar new used and collectible

books available now at great prices

[hiyokoi dizi 2010 sinemalar com](#) - Jan 26 2023

web hiyokoi hiyokoi dizisi konusu oyunculari fragmanlari fotoğraflari yorumlari ve daha fazlası sinemalar com da hiyokoi 30 temmuz 2010 Üye girişı bildirimlerim yeni bildirim yok platformlar vizyondaki filmler yakında salonlar tüm filmler

[hiyokoi t08 by moe yukimaru alibris](#) - Jun 30 2023

web buy hiyokoi t08 by moe yukimaru online at alibris we have new and used copies available in 1 editions starting at 13 74 shop now

hiyokoi t08 pan shojo yukimaru moe amazon com tr - Oct 03 2023

web hiyokoi t08 pan shojo yukimaru moe amazon com tr Çerez tercihlerinizi seçin alışveriş deneyiminizi geliştirmek hizmetlerimizi sunmak müşterilerin hizmetlerimizi nasıl kullandığını anlayarak iyileştirmeler yapabilmek ve ilgi alanlarına göre özelleştirilmiş reklamlar da dahil olmak üzere reklamları gösterebilmek için

hiyokoi t08 ebooks rakuten - Oct 23 2022

web hiyokoi t08 pas cher retrouvez tous les produits disponibles à l achat dans notre catégorie ebooks

hiyokoi hiyokoi wiki fandom - Aug 21 2022

web hiyokoi 恋恋 lit cute chick is a romantic comedy manga published by shueisha in the monthly shoujo manga magazine ribbon there are 14 volumes and 61 chapters in the manga the first volume was released in december 2009 nishiyama hiyori is a 15 year old girl who is extremely shy and short with a height of 140 centimeters after being

hiyokoi wikipedia - Aug 01 2023

web hiyokoi japanese 恋恋 is a shōjo manga series written and illustrated by moe yukimaru it is serialized in shueisha s monthly shōjo manga magazine ribbon and had been published into fourteen tankōbon volumes the name of the series is a pun between hiyoko 恋恋 which means chick and koi 恋 which means love

[amazon fr hiyokoi t08 yukimaru moe livres](#) - Jun 18 2022

web noté 5 retrouvez hiyokoi t08 et des millions de livres en stock sur amazon fr achetez neuf ou d occasion

hiyokoi t08 amazon com br - Jul 20 2022

web compre online hiyokoi t08 de yukimaru moe na amazon frete grÁtis em milhares de produtos com o amazon prime encontre diversos livros escritos por yukimaru moe com ótimos preços

hiyokoi t08 pan shojo yukimaru moe amazon es libros - Mar 16 2022

web selecciona el departamento que quieras buscar

[hiyokoi t08 pan shojo pocket book amazon co uk](#) - Feb 24 2023

web buy hiyokoi t08 pan shojo by isbn 9782809433425 from amazon s book store everyday low prices and free delivery on

eligible orders

hiyokoi t08 moe yukimaru 9782809442748 cultura - Sep 02 2023

web [hiyokoi t08 par moe yukimaru aux éditions panini c est l anniversaire de yushin voilà une occasion unique de faire plaisir à celui que l on aime hiyori aurait adoré fêter le jour de la naissance de son amour](#)

hiyokoi - Sep 21 2022

web [hiyokoi 7 88 10 Üzerinden oylamaya 1421 kişi katıldı hiyori utangaç ufak tefek bir kızdır geçirdiği trafik kazasından 1 yıl sonra ilk kez okula gidecektir ve biraz da korkmaktadır arkadaş edinmek için çabalayan hiyori yoksa daha](#)

hiyokoi t08 yukimaru moe takahashi arnaud amazon de - May 18 2022

web [wähle die kategorie aus in der du suchen möchtest](#)

hiyokoi t08 ebook au format epub fixed layout moe yukimaru - Feb 12 2022

web [jan 10 2023 obtenez le livre hiyokoi t08 de moe yukimaru au format epub fixed layout sur e leclerc](#)

amazon co uk customer reviews hiyokoi t08 pan shojo - May 30 2023

web [find helpful customer reviews and review ratings for hiyokoi t08 pan shojo at amazon com read honest and unbiased product reviews from our users](#)

hiyokoi t08 ebook au format epub fixed layout à télécharger - Apr 16 2022

web [téléchargez le livre hiyokoi t08 de moe yukimaru en ebook au format epub fixed layout sur vivlio et retrouvez le sur votre liseuse préférée](#)

hiyokoi t08 pan shojo books amazon ae - Apr 28 2023

web [amazon ae hiyokoi t08 pan shojo panini books select the department you want to search in](#)

hiyokoi myanimelist net - Dec 25 2022

web [jul 30 2010 looking for information on the anime hiyokoi find out more with myanimelist the world s most active online anime and manga community and database hiyori a small and timid girl goes to school for the first time in a year since an accident left her hospitalized follow her as she struggles with her social skills tries to make friends](#)

hiyokoi t08 french edition kindle edition amazon com - Nov 23 2022

web [may 21 2014 hiyokoi t08 french edition kindle edition by yukimaru moe download it once and read it on your kindle device pc phones or tablets use features like bookmarks note taking and highlighting while reading hiyokoi t08 french edition](#)

god s special day god s little guidebooks by hazel scrimshire - Nov 24 2021

web [apr 6 2023 god s special day god s little guidebooks is available in our digital library an online access to it is set as public so you can download it instantly our book servers](#)

god s special day god s little guidebooks open library - Aug 14 2023

web may 1 1999 god s special day god s little guidebooks by scrimshire hazel may 1 1999 christian focus edition paperback in english

god s special day god s little guidebooks uniport edu - Mar 29 2022

web god s special day god s little guidebooks hazel scrimshire 1 reading is fun reading is food for the soul read books and enrich yourself read books online to save

god s special day 04 in god s little guidebooks series - Dec 06 2022

web 15 stores and counting find trading hours for your local koorong store

god s special day god s little guidebooks kelliemay - May 31 2022

web note we worship on god s sabbath day from sunset on friday to sunset on saturday according to god a day begins with evening and ends with the last of daylight 6 what

god s special day liftingupjesus net - Apr 29 2022

web books as soon as this one merely said the god s special day god s little guidebooks is universally compatible afterward any devices to read god s little children leon

bible customs special days middletown bible church - Jan 27 2022

web pregnant awaitng mothers programme 12th september 2023 stay connected and be blessed
zionprayermovementoutreach zpmom

god s special day god s little guidebooks allbookstores com - Apr 10 2023

web the title of this book is god s special day god s little guidebooks this particular edition is in a mass market paperback format this books publish date is unknown it

god s special day god s little guidebooks copy uniport edu - Oct 24 2021

web may 19 2023 god s special day god s little guidebooks is available in our digital library an online access to it is set as public so you can get it instantly our book servers spans

god s special day god s little guidebooks 9781857923544 - Feb 08 2023

web god s special day god s little guidebooks on amazon com free shipping on qualifying offers god s special day god s little guidebooks

god s special day god s little guidebooks 2022 jmseniorliving - Jun 12 2023

web god s special day god s little guidebooks 1 god s special day god s little guidebooks guide magazine presents sabbath action blast gospel principles

god s special day god s little guidebooks copy uniport edu - Sep 03 2022

web feb 26 2023 right here we have countless book god s special day god s little guidebooks and collections to check out we

additionally allow variant types and with

god s special day god s little guidebooks hazel scrimshire - Oct 04 2022

web oct 13 2021 god s special day god s little guidebooks hazel scrimshire 2022 call for proposals is open grey eyes and white lies albert shaw 1 of 5 stars 2 of 5 stars 3

god s special day god s little guidebooks pdf wrbb neu - Jan 07 2023

web and install god s special day god s little guidebooks fittingly simple god s special day god s little guidebooks 2020 01 25 shaniya preston day by day with

god s special day god s little guidebooks uniport edu - Sep 22 2021

web god s little instruction book for dad special gift edition honor books on amazon com free shipping on qualifying offers god s little instruction book for dad special gift

god s special day 04 in god s little guidebooks series - May 11 2023

web buy god s special day 04 in god s little guidebooks series by hazel scrimshire in paperback format at koorong 1857923545 all our stores are open trading hours may

god s special day god s little guidebooks paperback - Jul 13 2023

web feb 25 2019 god s special day god s little guidebooks scrimshire hazel on amazon com free shipping on qualifying offers god s special day god s little

god s little instruction book for dad special gift edition - Aug 22 2021

god s special day god s little guidebooks hazel scrimshire - Feb 25 2022

web god himself established these special days and commanded his people to observe them see leviticus chapter 23 especially verses 2 and 4 moses did not originate the idea to

god s little instruction book for kids amazon com - Jul 01 2022

web dec 4 2022 god s little book of big bible promises katherine j butler 2021 02 09 each day brings its challenges but if you embrace god s promises for your life you will

god s special day god s little guidebooks copy uniport edu - Aug 02 2022

web jun 2 2023 right here we have countless books god s special day god s little guidebooks and collections to check out we additionally manage to pay for variant

pregnant awaitng mothers programme 12th - Dec 26 2021

web god s special day god s little guidebooks by hazel scrimshire called children of god what an honor it is that god calls us his children and gives us the assurance that as his

god s special day god s little guidebooks by hazel scrimshire - Nov 05 2022

web god s special day god s little guidebooks by hazel scrimshire god s special day god s little guidebooks by hazel scrimshire blessings from the heart birthday prayers

god s special day god s little guidebooks by hazel scrimshire - Mar 09 2023

web god s special day god s little guidebooks by hazel scrimshire 60 step by step techniques for expressing your faith creatively god s little ones matthew 18 1 14 may

t2 returnable uments all tenders eskom - Feb 25 2022

web nov 22 2022 *t2 returnable uments all tenders eskom* is available in our book collection an online access to it is set as public so you can get it instantly our digital

transfer fiyatlandırması kontrol edilen yabancı kurum ve örtülü - Dec 26 2021

web 1 kurumlar vergisi mükelleflerince ek 2 formu doldurma zorunluluğu tüm kurumlar vergisi mükelleflerinin serbest bölgelerde ve teknoloji geliştirme bölgelerinde kurulup faaliyette

t2 returnable documents all tenders eskom - Jan 27 2022

web t2 returnable documents all tenders eskom t2 returnable documents all tenders eskom 2 downloaded from bespoke cityam com on 2023 06 12 by guest more inclusive

t1 1a tender schedules general tenderbulletin eskom co za - Nov 24 2021

web part t2 returnable documents 2 t2 2 tender schedules general declaration of fair bidding practices tender schedule t2 2a no 2 the essence of

6502 sayılı tkhk Çerçevesinde tüketicî İşlemi - Oct 04 2022

web 3164 a olcuvedet yavuz a armağan keywords work work delivery contracts obligations due to defects con sumer contracter i genel olarak gerek 4077

t2 returnable documents all tenders eskom domainlookup - Sep 22 2021

web apr 4 2023 *t2 returnable documents all tenders eskom* is available in our book collection an online access to it is set as public so you can get it instantly our books

t2 returnable documents all tenders eskom download only - Sep 03 2022

web t2 returnable documents all tenders eskom downloaded from ci kubesail com by guest kennedy compton electrical times world bank publications the kenya gazette is

t2 returnable documents all tenders tenderbulletin eskom co za - Jul 13 2023

web t1 1a tender schedules general note t2 2a tender schedules may be used irrespective of the chosen conditions of contract whereas t2 2b tender schedules will

eskom holdings soc ltd s standard rev 6 conditions of tender - Mar 09 2023

web mandatory or other tender returnable the tenderer must ensure that eskom is in possession of a valid and where stated an original certificate or proof of registration for

t2 returnable documents all tenders tenderbulletin eskom co za - Aug 14 2023

web t2 1 list of returnable documents t2 2a tender schedules general t2 2b tender schedules contract t2 1 list of returnable documents the tenderer must complete

t2 returnable documents all tenders eskom - Jul 01 2022

web this online pronouncement t2 returnable documents all tenders eskom can be one of the options to accompany you similar to having supplementary time it will not waste your

t1 1a tender schedules general etenders portal - May 11 2023

web part t2 returnable documents 2 t2 2 tender schedules general declaration of fair bidding practices tender schedule t2 2a no 2 the essence of

t1 1a tender schedules general etenders portal - Oct 24 2021

web part t2 returnable documents 2 t2 2 tender schedules general declaration of fair bidding practices tender schedule t2 2a no 2 the essence of

t2 returnable documents all tenders eskom sibole online - Dec 06 2022

web to get started finding t2 returnable documents all tenders eskom you are right to find our website which has a comprehensive collection of manuals listed our library is the

get the free t2 returnable documents all tenders eskom pdffiller - Apr 10 2023

web do whatever you want with a t2 returnable documents all tenders eskom fill sign print and send online instantly securely download your document with other editable

t2 returnable documents all tenders eskom pdf kelliemay - Apr 29 2022

web t2 returnable documents all tenders eskom is available in our book collection an online access to it is set as public so you can get it instantly our digital library saves in multiple

t2 returnable documents all tenders eskom pdf uniport edu - Mar 29 2022

web jul 14 2023 t2 returnable documents all tenders eskom 2 9 downloaded from uniport edu ng on july 14 2023 by guest computer science software theory and

t2 2 returnable schedules transnet national ports - Jan 07 2023

web tender part t2 returnable documents form pro fat 0167 rev03 page 8 of 66 t2 2 returnable schedules management cv s of key persons ecc31 returnable

[t2 returnable documents all tenders tenderbulletin eskom co za](#) - Jun 12 2023

web reference is made from the tender dated 11 august 2021 that was issued to the market kindly note that eskom rotek industries made some adjustment on the functionality

t2 returnable documents all tenders eskom copy - Aug 02 2022

web 2 t2 returnable documents all tenders eskom 2021 08 19 construction industry development board cidb postgraduate research conference held on 28 30 july 2019

part t2 returnable documents spoornet co za - Feb 08 2023

web the tenderer must complete the following returnable documents 1 returnable schedules required for tender evaluation purposes returnable schedules to be incorporated in

[saĖlik market tibbi sarf ÜrÜnleri lİstesİ ek2b](#) - May 31 2022

web saĖlik market tibbi sarf ÜrÜnleri lİstesİ ek2b sıra no teknik Şartname kodu teknik Şartname adı malzeme kodu malzeme adı malzeme cinsi sut listesi sut kodu

t2 returnable documents all tenders eskom pdf download - Nov 05 2022

web t2 returnable documents all tenders eskom pdf introduction t2 returnable documents all tenders eskom pdf download only management and mitigation of