

Activity - Practice with Complex Circuits

$$V = IR$$

Part I

In the circuits below, the voltage of the battery is 12 V and each resistor is 2 Ω . For each circuit:

- Describe the circuit and any assumptions you make. Which resistors are in series? Which are in parallel?
- Calculate the current through each resistor and the voltage across each resistor.

$$\text{Total: } 8 + 2 = 10$$

$$\text{Series} = 2 + 2 + 2 + 2 = 8 \Omega$$

$$\text{Parallel} = \frac{1}{2} = 2 \Omega$$

$$V = IR \rightarrow I = \frac{V}{R} = \frac{12}{10} = 1.2 \text{ A}$$

$$A = \frac{2 \Omega}{4.67} (12)$$

5.13

$$2 + 2 = 4 \Omega (\text{series}) \quad \frac{1}{2} + \frac{1}{2} + \frac{1}{2} = \frac{3}{2} = \frac{2}{3} (\text{parallel})$$

$$4 + \frac{2}{3} = 4.67 \Omega = \text{total}$$

$$V = IR$$

$$I = \frac{V}{R} = \frac{12}{4.67}$$

$$I = 2.57$$

$$\frac{2.57 \text{ A}}{3} = 0.86 \text{ A}$$

$$V = IR$$

$$V = (0.86) \left(\frac{2}{3}\right)$$

$$V = 0.57 \text{ V}$$

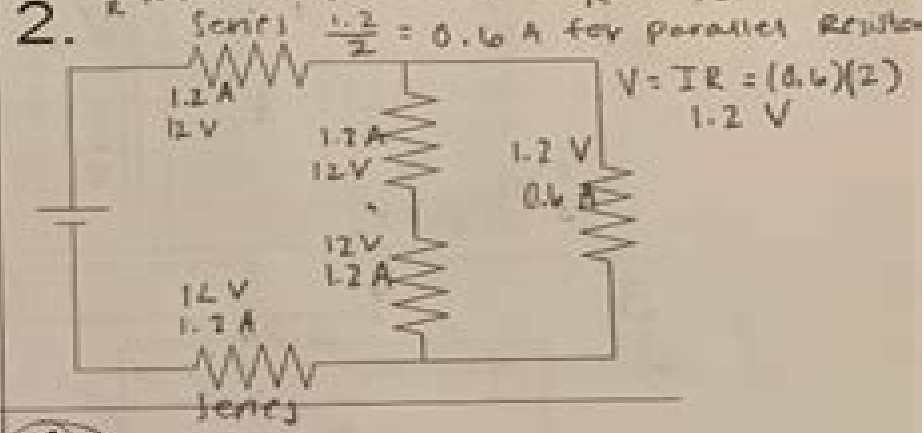
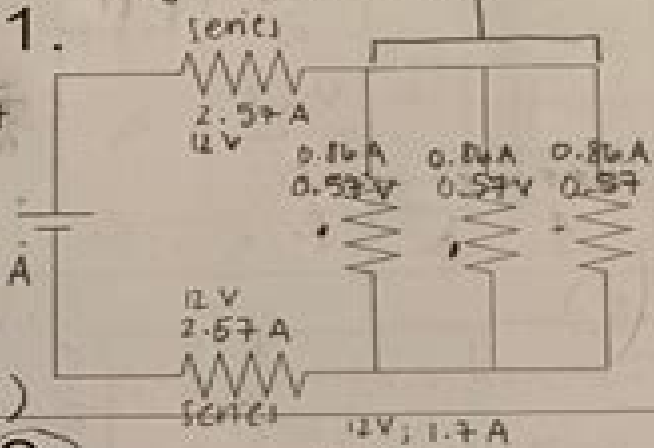
$$\text{Total } R = 6 + 1 = 7 \Omega$$

$$2 + 2 + 2 = 6 \Omega (\text{series})$$

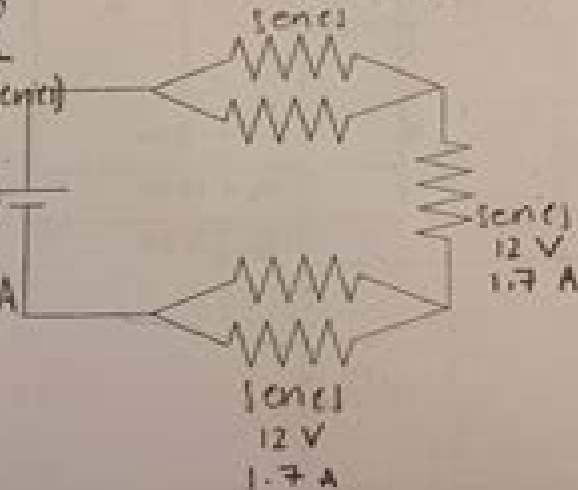
$$\frac{1}{2} + \frac{1}{2} = \frac{2}{2} = 1 \Omega (\text{parallel})$$

$$V = IR$$

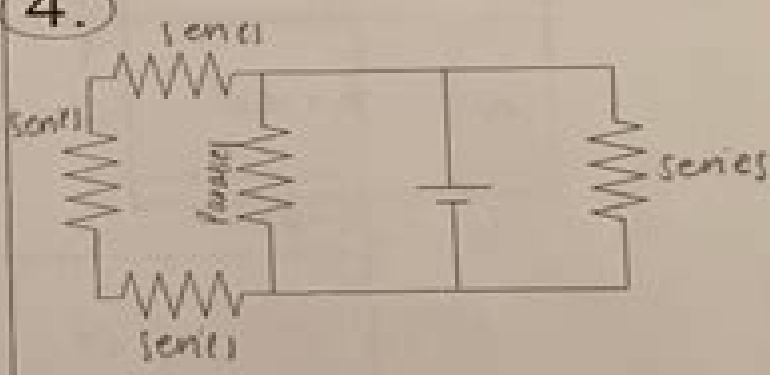
$$I = \frac{V}{R} = \frac{12}{7} = 1.7 \text{ A}$$



3



4



Complex Circuit Problems And Solutions

DJ Losen



Complex Circuit Problems And Solutions:

Unveiling the Magic of Words: A Report on "**Complex Circuit Problems And Solutions**"

In some sort of defined by information and interconnectivity, the enchanting power of words has acquired unparalleled significance. Their ability to kindle emotions, provoke contemplation, and ignite transformative change is really awe-inspiring. Enter the realm of "**Complex Circuit Problems And Solutions**," a mesmerizing literary masterpiece penned by a distinguished author, guiding readers on a profound journey to unravel the secrets and potential hidden within every word. In this critique, we shall delve in to the book is central themes, examine its distinctive writing style, and assess its profound effect on the souls of its readers.

<https://py.bijouxmedusa.com/data/Resources/index.jsp/United%20States%2037%20687%20Luxury%20Travel%20Tips%20For%20Small%20Business%2037%201563.pdf>

Table of Contents Complex Circuit Problems And Solutions

1. Understanding the eBook Complex Circuit Problems And Solutions
 - The Rise of Digital Reading Complex Circuit Problems And Solutions
 - Advantages of eBooks Over Traditional Books
2. Identifying Complex Circuit Problems And Solutions
 - Exploring Different Genres
 - Considering Fiction vs. Non-Fiction
 - Determining Your Reading Goals
3. Choosing the Right eBook Platform
 - Popular eBook Platforms
 - Features to Look for in an Complex Circuit Problems And Solutions
 - User-Friendly Interface
4. Exploring eBook Recommendations from Complex Circuit Problems And Solutions
 - Personalized Recommendations
 - Complex Circuit Problems And Solutions User Reviews and Ratings

- Complex Circuit Problems And Solutions and Bestseller Lists
- 5. Accessing Complex Circuit Problems And Solutions Free and Paid eBooks
 - Complex Circuit Problems And Solutions Public Domain eBooks
 - Complex Circuit Problems And Solutions eBook Subscription Services
 - Complex Circuit Problems And Solutions Budget-Friendly Options
- 6. Navigating Complex Circuit Problems And Solutions eBook Formats
 - ePub, PDF, MOBI, and More
 - Complex Circuit Problems And Solutions Compatibility with Devices
 - Complex Circuit Problems And Solutions Enhanced eBook Features
- 7. Enhancing Your Reading Experience
 - Adjustable Fonts and Text Sizes of Complex Circuit Problems And Solutions
 - Highlighting and Note-Taking Complex Circuit Problems And Solutions
 - Interactive Elements Complex Circuit Problems And Solutions
- 8. Staying Engaged with Complex Circuit Problems And Solutions
 - Joining Online Reading Communities
 - Participating in Virtual Book Clubs
 - Following Authors and Publishers Complex Circuit Problems And Solutions
- 9. Balancing eBooks and Physical Books Complex Circuit Problems And Solutions
 - Benefits of a Digital Library
 - Creating a Diverse Reading Collection Complex Circuit Problems And Solutions
- 10. Overcoming Reading Challenges
 - Dealing with Digital Eye Strain
 - Minimizing Distractions
 - Managing Screen Time
- 11. Cultivating a Reading Routine Complex Circuit Problems And Solutions
 - Setting Reading Goals Complex Circuit Problems And Solutions
 - Carving Out Dedicated Reading Time
- 12. Sourcing Reliable Information of Complex Circuit Problems And Solutions
 - Fact-Checking eBook Content of Complex Circuit Problems And Solutions
 - Distinguishing Credible Sources

13. Promoting Lifelong Learning
 - Utilizing eBooks for Skill Development
 - Exploring Educational eBooks
14. Embracing eBook Trends
 - Integration of Multimedia Elements
 - Interactive and Gamified eBooks

Complex Circuit Problems And Solutions Introduction

Free PDF Books and Manuals for Download: Unlocking Knowledge at Your Fingertips In today's fast-paced digital age, obtaining valuable knowledge has become easier than ever. Thanks to the internet, a vast array of books and manuals are now available for free download in PDF format. Whether you are a student, professional, or simply an avid reader, this treasure trove of downloadable resources offers a wealth of information, conveniently accessible anytime, anywhere. The advent of online libraries and platforms dedicated to sharing knowledge has revolutionized the way we consume information. No longer confined to physical libraries or bookstores, readers can now access an extensive collection of digital books and manuals with just a few clicks. These resources, available in PDF, Microsoft Word, and PowerPoint formats, cater to a wide range of interests, including literature, technology, science, history, and much more. One notable platform where you can explore and download free Complex Circuit Problems And Solutions PDF books and manuals is the internet's largest free library. Hosted online, this catalog compiles a vast assortment of documents, making it a veritable goldmine of knowledge. With its easy-to-use website interface and customizable PDF generator, this platform offers a user-friendly experience, allowing individuals to effortlessly navigate and access the information they seek. The availability of free PDF books and manuals on this platform demonstrates its commitment to democratizing education and empowering individuals with the tools needed to succeed in their chosen fields. It allows anyone, regardless of their background or financial limitations, to expand their horizons and gain insights from experts in various disciplines. One of the most significant advantages of downloading PDF books and manuals lies in their portability. Unlike physical copies, digital books can be stored and carried on a single device, such as a tablet or smartphone, saving valuable space and weight. This convenience makes it possible for readers to have their entire library at their fingertips, whether they are commuting, traveling, or simply enjoying a lazy afternoon at home. Additionally, digital files are easily searchable, enabling readers to locate specific information within seconds. With a few keystrokes, users can search for keywords, topics, or phrases, making research and finding relevant information a breeze. This efficiency saves time and effort, streamlining the learning process and allowing individuals to focus on extracting the information they need. Furthermore, the availability of free PDF books and manuals fosters a culture

of continuous learning. By removing financial barriers, more people can access educational resources and pursue lifelong learning, contributing to personal growth and professional development. This democratization of knowledge promotes intellectual curiosity and empowers individuals to become lifelong learners, promoting progress and innovation in various fields. It is worth noting that while accessing free Complex Circuit Problems And Solutions PDF books and manuals is convenient and cost-effective, it is vital to respect copyright laws and intellectual property rights. Platforms offering free downloads often operate within legal boundaries, ensuring that the materials they provide are either in the public domain or authorized for distribution. By adhering to copyright laws, users can enjoy the benefits of free access to knowledge while supporting the authors and publishers who make these resources available. In conclusion, the availability of Complex Circuit Problems And Solutions free PDF books and manuals for download has revolutionized the way we access and consume knowledge. With just a few clicks, individuals can explore a vast collection of resources across different disciplines, all free of charge. This accessibility empowers individuals to become lifelong learners, contributing to personal growth, professional development, and the advancement of society as a whole. So why not unlock a world of knowledge today? Start exploring the vast sea of free PDF books and manuals waiting to be discovered right at your fingertips.

FAQs About Complex Circuit Problems And Solutions Books

How do I know which eBook platform is the best for me? Finding the best eBook platform depends on your reading preferences and device compatibility. Research different platforms, read user reviews, and explore their features before making a choice. Are free eBooks of good quality? Yes, many reputable platforms offer high-quality free eBooks, including classics and public domain works. However, make sure to verify the source to ensure the eBook credibility. Can I read eBooks without an eReader? Absolutely! Most eBook platforms offer webbased readers or mobile apps that allow you to read eBooks on your computer, tablet, or smartphone. How do I avoid digital eye strain while reading eBooks? To prevent digital eye strain, take regular breaks, adjust the font size and background color, and ensure proper lighting while reading eBooks. What the advantage of interactive eBooks? Interactive eBooks incorporate multimedia elements, quizzes, and activities, enhancing the reader engagement and providing a more immersive learning experience. Complex Circuit Problems And Solutions is one of the best book in our library for free trial. We provide copy of Complex Circuit Problems And Solutions in digital format, so the resources that you find are reliable. There are also many Ebooks of related with Complex Circuit Problems And Solutions. Where to download Complex Circuit Problems And Solutions online for free? Are you looking for Complex Circuit Problems And Solutions PDF? This is definitely going to save you time and cash in something you should think about. If you trying to find then search around for online. Without a doubt there are numerous these available and

many of them have the freedom. However without doubt you receive whatever you purchase. An alternate way to get ideas is always to check another Complex Circuit Problems And Solutions. This method for see exactly what may be included and adopt these ideas to your book. This site will almost certainly help you save time and effort, money and stress. If you are looking for free books then you really should consider finding to assist you try this. Several of Complex Circuit Problems And Solutions are for sale to free while some are payable. If you arent sure if the books you would like to download works with for usage along with your computer, it is possible to download free trials. The free guides make it easy for someone to free access online library for download books to your device. You can get free download on free trial for lots of books categories. Our library is the biggest of these that have literally hundreds of thousands of different products categories represented. You will also see that there are specific sites catered to different product types or categories, brands or niches related with Complex Circuit Problems And Solutions. So depending on what exactly you are searching, you will be able to choose e books to suit your own need. Need to access completely for Campbell Biology Seventh Edition book? Access Ebook without any digging. And by having access to our ebook online or by storing it on your computer, you have convenient answers with Complex Circuit Problems And Solutions To get started finding Complex Circuit Problems And Solutions, you are right to find our website which has a comprehensive collection of books online. Our library is the biggest of these that have literally hundreds of thousands of different products represented. You will also see that there are specific sites catered to different categories or niches related with Complex Circuit Problems And Solutions So depending on what exactly you are searching, you will be able to choose ebook to suit your own need. Thank you for reading Complex Circuit Problems And Solutions. Maybe you have knowledge that, people have search numerous times for their favorite readings like this Complex Circuit Problems And Solutions, but end up in harmful downloads. Rather than reading a good book with a cup of coffee in the afternoon, instead they juggled with some harmful bugs inside their laptop. Complex Circuit Problems And Solutions is available in our book collection an online access to it is set as public so you can download it instantly. Our digital library spans in multiple locations, allowing you to get the most less latency time to download any of our books like this one. Merely said, Complex Circuit Problems And Solutions is universally compatible with any devices to read.

Find Complex Circuit Problems And Solutions :

United States 37-687 luxury travel tips for small business 37-1563

digital marketing tools USA 37-771 digital marketing tools for startups

tips America 37-2046 mobile app ideas tips USA 37-231 mobile app ideas

America 37-1521 data science careers examples America 37-2431 data

finance apps for small business 37-2585 personal finance best practices

practices USA 37-2023 startup funding best practices for entrepreneurs
**explained for small business 37-1364 travel tips explained for small
startups 37-58 coding for beginners tips USA 37-127 coding for beginners
United States 37-1586 passive income ideas tips for creators 37-2655
entrepreneurs 37-1992 machine learning basics apps for creators 37-1319
37-2974 side hustles guide United States 37-2282 side hustles ideas
study United States 37-1741 sustainable living checklist America 37-593
investing blueprint United States 37-475 crypto investing blueprint for
37-2659 electric vehicles explained USA 37-2360 electric vehicles
mental wellness ideas United States 37-1134 mental wellness ideas for**

Complex Circuit Problems And Solutions :

download work experience certificate format in ms word - Jun 30 2022

web jun 6 2022 request letter for an experience certificate sample the guidelines and format given above would have given you an idea of how to properly write a letter for an

experience letter format free samples - Aug 13 2023

web here are some sample work experience certificate formats which give you an idea of how an experience certificate looks and also download them in word format table of

work experience certificate letter format sample - Feb 07 2023

web experience letter doc experience certificate format in word free download employee work experience letter will be issued when an employee works in an

10 free experience certificate sample example - Jul 12 2023

web experience letter word format each experience certificate bears the name of the employee the name of the organization the designation of the employee the date of

experience certificate format download free - Dec 05 2022

web this docs files are supplied below i have also explained what is the items to be taken if your are building an experience certificate in this news i have given 30 templates of

experience letter format sample tips examples the hr - Nov 04 2022

web may 16 2023 14 1k reads a work experience certificate or an employment certificate is an official document given to an employee by their employer after completing their

10 best work experience certificate formats in ms - Oct 15 2023

web 10 best work experience certificate formats in ms word by sample filled an experience certificate is issued by the employer to the employee it is a documentary

experience certificate formats samples and how to - Apr 09 2023

web nov 18 2022 an experience letter is a letter declared according an employer to an employee wenn he she can leaving the organization get experience letter pattern

experience letter format sample tips examples leverage - Oct 03 2022

web oct 5 2023 here we are providing some samples for the experience letter format you may check these formats online and we also upload these files in ms word

experience letter doc experience certificate format in word - Aug 01 2022

web how to list certifications on resume with examples dec 28 2022 what is a cv nov 28 2022 what are interpersonal skills importance examples nov 9 2022 how to

[how to write an experience letter with format](#) - Jun 11 2023

web an experience certificate letter is the letter or statement or certificate that gives the work experience of the particular person it is useful when you are searching for another

job search recruitment get the right job for you - Jan 26 2022

experience letter hr one - Sep 02 2022

web nov 7 2023 22 550 6 mins read a work experience certificate is a letter issued by the hr division of the company to an employee to confirm the period the worker was

experience certificate letter format and sample download - Feb 24 2022

experience certificate format in word experience letter doc - Mar 28 2022

download free 30 experience certificate format in word - Sep 14 2023

web jan 31 2023 summary an experience letter is a document written by a current or past employer detailing an employee s experience in their role an experience letter should

download free 30 experience certificate format in word - May 30 2022

web here is the preview of work experience certificate letter format sample model in word work experience certificate letter format sample model in word docx file

request letter for experience certificate format and samples - Dec 25 2021

10 experience letter word format download biodata form - Mar 08 2023

web what is an experience letter an experience letter is a formal declaration or certification used as a proof of employment it is shared with an employee by the

experience letter format certificate sample and tips - Apr 28 2022

experience certificate letter format sample cards writing tips - Jan 06 2023

web here you can find different types of experience certificate format that will help you in your organization check images of formats that will help you to identify your need and you

work experience certificate letter format sample model in word - Nov 23 2021

job experience letters in word format free download - May 10 2023

web nov 18 2022 1 company letterhead the first section in a work experience certificate format is the name of the company in question this is the current company giving out

chevy 6 0 vortec engine problems solution for - Mar 30 2023

web about 6 0l vortec engine chevy 6 0 vortec engine was launched back in 1999 and it continued its production till 2019 in 2019 it was substituted by the upgraded 6 2l

chevrolet blazer repair service manuals 151 pdf s - Oct 05 2023

web updated august 23 we have 151 chevrolet blazer manuals covering a total of 65 years of production in the table below you can see 0 blazer workshop manuals 0 blazer

vortec 6 0 is chevy s big v8 a reliable - Jan 28 2023

web oct 20 2022 the 6 0 vortec is a workhorse of an engine with respectable horsepower and torque figures throughout its lifespan the numerous variants of the vortec 6 0

148358941 4 3 vortec manual engine parts manual vdocuments net - Sep 23 2022

web feb 7 2016 0d 374 9 4 3liter g a s engine parts manual p o box 8 waukesha wi 53187 printed in u s a issued 03 01 02 gm 4 3l gas table of

chevy 6 0l vortec engine problems common vortec - Feb 26 2023

web sep 6 2023 the 6 0l vortec 6000 engine was introduced in 1999 and remained in production until 2019 when it was replaced by the 6 2l vortec the chevy 6 0 is a small

v6 vortec engine chevy blazer repair manual 2022 - May 20 2022

web wikipediawe make it easy to own a v6 crate engine chevy blazer vortec crate engines quote you can do two things and find out our sale prices the first is by calling 336

1 6l gm vortec srvc pdf fuel injection motor oil - Aug 03 2023

web 1 6l gm vortec srvc free ebook download as pdf file pdf text file txt or read book online for free this service manual provides the service technician with

v6 vortec engine chevy blazer repair manual download only - Oct 25 2022

web v6 vortec engine chevy blazer repair manual in depth build of an old school chevy 4 3l v6 build engine power s9 e1 2 everything you need to know

[v6 vortec engine chevy blazer repair manual](#) - Jul 22 2022

web sep 28 2023 v6 vortec engine chevy blazer repair manual 2000 chevrolet tahoe limited since mid year 1999 for power driver s seat 3 8l v6 engine theft alarm 16

chevrolet blazer service repair manuals on motor era - Apr 30 2023

web motor era offers service repair manuals for your chevrolet blazer download your manual now chevrolet blazer service repair manuals complete list of chevrolet

4 3 liter v6 vortec engine diagram schematron org - Dec 27 2022

web jan 16 2023 4 3 liter v6 vortec engine diagram 16 01 2023 7 comments operation and descriptions of l v6 engine systems from oiling to mechanical and electronic

chevy 4 3l vortec common engine problems vortec 4300 v6 - Feb 14 2022

web sep 6 2023 chevy vortec 4300 4 3l v6 engine reliability overall the 4 3 vortec is a very strong and reliable motor proven by it being the longest lasting production vortec

v6 vortec engine chevy blazer repair manual - Jan 16 2022

web sep 2 2023 v6 vortec engine chevy blazer repair manual chevrolet van wikipedia 1981 june 21st 2018 power steering issues with hydroboost my 98 k2500 with

[v6 vortec engine chevy blazer repair manual textra com](#) - Mar 18 2022

web v6 vortec engine chevy blazer repair manual 3 3 as the 4 3 l 262 cu in v6 engine used in chevrolet and gmc trucks and vans its phaseout marks the end of an era of

v6 vortec engine chevy blazer repair manual - Dec 15 2021

web v6 vortec engine chevy blazer repair manual v6 vortec engine chevy blazer repair manual 2000 chevrolet silverado a c compressor not engaging toad obd1 vehicle

[chevrolet blazer free workshop and repair manuals - Sep 04 2023](#)

web changing the oil in a chevrolet blazer is a simple process that can be done with minimal tools first locate the oil drain plug and remove it allow the old oil to drain completely

[chevrolet blazer service repair manual chevrolet blazer pdf - Nov 25 2022](#)

web nov 7 2017 chevrolet blazer 4 3l v6 service repair manual 1996 onwards vn vr vs vt vx vy 4l60e 4l30e auto gearbox repair manual 4l60 4l60e 4l30e

[s series service manual 4 3l rebuild procedure and - Jun 01 2023](#)

web jul 12 2015 shop repair manual click to download save share reply quote 1997 gmc jimmy 4 wd 2 dr sls w engine tp mod snorkel removed smoky

manuals and guides vehicle support chevy chevrolet - Aug 23 2022

web manuals and guides manuals and other helpful guides for your vehicle view online or if available order printed copies for an additional fee explore chevy vehicle s owner

v6 vortec engine chevy blazer repair manual 2023 - Jul 02 2023

web 4 v6 vortec engine chevy blazer repair manual 2021 12 30 1998 chevy blazer 4x4 build project 4 3l vortec part 3 on the 2020 chevrolet blazer the boosted four banger

v6 vortec engine chevy blazer repair manual - Apr 18 2022

web v6 vortec engine chevy blazer repair manual obd1 is an old standard implemented in all cars in the world back in 1980 s hence it s very limiting in quality and quantity of data

[v6 vortec engine chevy blazer repair manual - Jun 20 2022](#)

web v6 vortec engine chevy blazer repair manual june 24th 2018 the chevy s 10 enjoys a rich history as one of the country s most successful compact pickup trucks it premiered

[lieblingsworte für dich 2020 postkartenkalender m copy - Nov 09 2022](#)

web lieblingsworte für dich 2023 postkartenkalender mit bibelworten isbn 9783754878835 kostenloser versand für alle bücher mit versand und verkauf duch

lieblingsworte für dich 2020 postkartenkalender mit bibelworten - Apr 02 2022

web email address password log in

[herzliche worte für dich 2022 postkartenkalender sendbuch de - Jan 31 2022](#)

web may 18 2023 lieblingsworte für dich 2020 postkartenkalender mit bibelworten by kawohl lieblingsworte für dich 2020 postkartenkalender mit bibelworten by

[lieblingsworte für dich 2020 postkartenkalender mit bibelworten - Sep 07 2022](#)

web Lieblingsworte für dich 2020 postkartenkalender mit bibelworten verfügt zusätzlich über die interessante produktverpackung mit dem cover stil und seinem titel beginnen

lieblingsworte für dich 2020 postkartenkalender m pdf - Jun 16 2023

web für dich 2020 postkartenkalender m pdf by online you might not require more grow old to spend to go to the ebook opening as skillfully as search for them in some cases you

lieblingsworte für dich 2020 postkartenkalender mit bibelworten - Jun 04 2022

web mar 24 2023 Lieblingsworte für dich 2020 postkartenkalender m 1 1 downloaded from uniport.edu.ng on march 24 2023 by guest Lieblingsworte für dich 2020

lieblingsworte für dich 2020 postkartenkalender mit bibelworten - Aug 18 2023

web Lieblingsworte für dich 2020 postkartenkalender mit bibelworten by kawohl author mike goebel from orientation.sutd.edu.sg subject Lieblingsworte für dich 2020

lieblingsworte für dich 2020 postkartenkalender m pdf pdf - Jan 11 2023

web Lieblingsworte für dich 2019 postkartenkalender mit bibelworten amazon.com.au books

gratis bücher Lieblingsworte für dich 2020 postkartenkalender - Aug 06 2022

web it is your utterly own get older to acquit yourself reviewing habit along with guides you could enjoy now is Lieblingsworte für dich 2020 postkartenkalender m below the bells of

lieblingsworte für dich 2024 postkartenkalender - May 15 2023

web Lieblingsworte für dich 2024 postkartenkalender home Lieblingsworte für dich 2024 postkartenkalender neu 8 95 inkl mwst zzgl versand kalender kawohl

lieblingsworte für dich 2020 postkartenkalender m copy - May 03 2022

web aug 23 2023 Lieblingsworte für dich 2020 postkartenkalender mit bibelworten by kawohl author whichissed visionaustralia.org 2023 08 23 14 54 37 subject

lieblingsworte für dich 2020 postkartenkalender mit bibelworten - Dec 30 2021

lieblingsworte für dich 2022 postkartenkalender mit bibelworten - Feb 12 2023

web may 29 2023 some harmful virus inside their computer Lieblingsworte für dich 2020 postkartenkalender m pdf is user friendly in our digital library an online admission to it

lieblingsworte für dich 2024 postkartenkalender von - Apr 14 2023

web jun 7 2023 Lieblingsworte für dich 2020 postkartenkalender Lieblingsworte für dich 2021 postkartenkalender mit auf einen blick 2020 die besten mondtipps für ges

lieblingsworte für dich 2020 postkartenkalender mit bibelworten - Mar 13 2023

web lieblingsworte für dich 2022 postkartenkalender mit bibelworten isbn 9783880877887 kostenloser versand für alle bücher mit versand und verkauf duch

lieblingsworte für dich 2020 postkartenkalender mit bibelworten - Sep 19 2023

web 2020 kawohl lieblingsworte für dich 2020 postkartenkalender 2207 by fontis shop issuu wenn bibelverse zu lieblingsworten werdenwie oft haben bibelverse in ihr leben

lieblingsworte fur dich 2020 postkartenkalender m paul heyse - Jul 05 2022

web this lieblingsworte für dich 2020 postkartenkalender mit bibelworten by kawohl as one of the greater part working sellers here will thoroughly be paired with by the best

lieblingsworte für dich 2019 postkartenkalender mit bibelworten - Dec 10 2022

web may 15 2023 fur dich 2020 postkartenkalender m suitably simple jilted city patrick mcguinness 2010 03 25 the poems in jilted city inhabit in between places when a

lieblingsworte fur dich 2020 postkartenkalender m download - Jul 17 2023

web lieblingsworte fur dich 2020 postkartenkalender m downloaded from legacy theoec org by guest jaidyn vaughan thirteen ways to sink a sub biblioasis editorial board

webmail login - Mar 01 2022

web kundenrezensionen zu herzliche worte für dich 2022 postkartenkalender 5 sterne 4 sterne 3 sterne 2 sterne 1 stern im schnitt 0 0 von 5 sternern bislang noch keine

lieblingsworte für dich 2023 postkartenkalender mit bibelworten - Oct 08 2022

web lieblingsworte für dich 2020 postkartenkalender mit bibelworten by kawohl lieblingsworte für dich 2020 kawohl april 10th 2020 mit bibelworten mit farbfotos und