

# Activity - Practice with Complex Circuits

$$V = IR$$

## Part I

In the circuits below, the voltage of the battery is 12 V and each resistor is 2 Ω. For each circuit:

- Describe the circuit and any assumptions you make. Which resistors are in series? Which are in parallel?
- Calculate the current through each resistor and the voltage across each resistor.

$$\text{Total: } 8 + 2 = 10$$

$$\text{Series} = 2 + 2 + 2 + 2 = 8 \Omega$$

$$\text{Parallel} = \frac{1}{2} = 2 \Omega$$

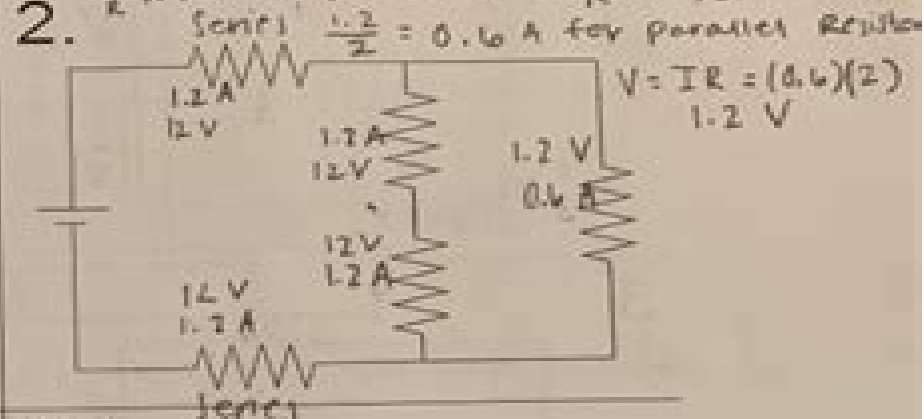
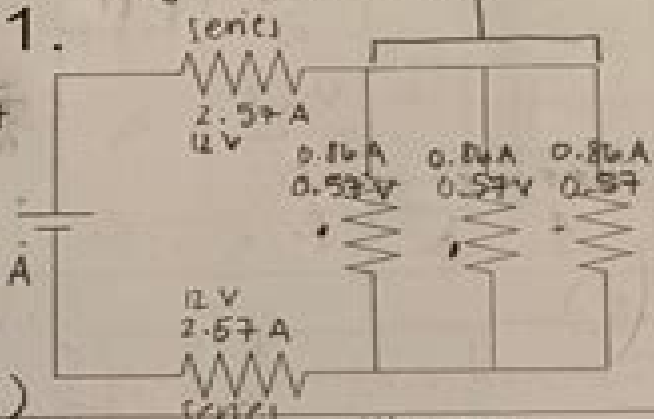
$$V = IR \rightarrow I = \frac{V}{R} = \frac{12}{10} = 1.2 \text{ A}$$

$$A = \frac{2 \Omega}{4.67} (12)$$

5.13

$$2 + 2 = 4 \Omega (\text{series}) \quad \frac{1}{2} + \frac{1}{2} + \frac{1}{2} = \frac{3}{2} = \frac{2}{3} \text{ (Parallel)}$$

$$4 + \frac{2}{3} = 4.67 \Omega = \text{total}$$



$$V = IR$$

$$I = \frac{V}{R} = \frac{12}{4.67}$$

$$I = 2.57$$

$$\frac{2.57 \text{ A}}{3} = 0.86 \text{ A}$$

$$V = IR$$

$$V = (0.86)(2)$$

$$V = 1.72 \text{ V}$$

3.

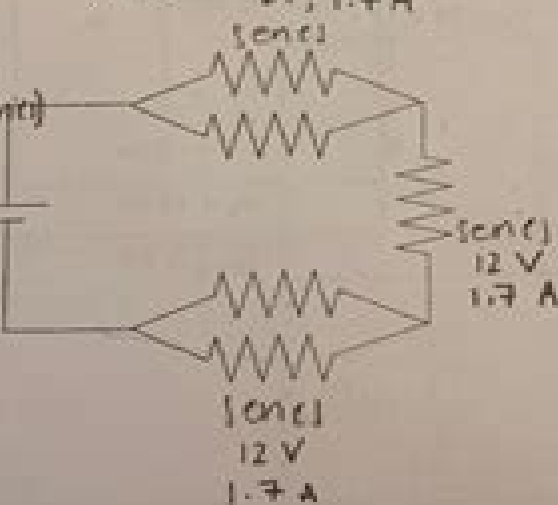
$$\text{Total } R = 6 + 1 = 7 \Omega$$

$$2 + 2 + 2 = 6 \Omega (\text{series})$$

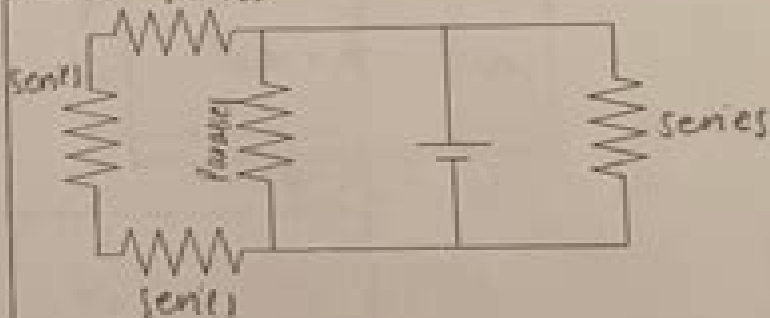
$$\frac{1}{2} + \frac{1}{2} = \frac{2}{2} = 1 \Omega (\text{parallel})$$

$$V = IR$$

$$I = \frac{V}{R} = \frac{12}{7} = 1.7 \text{ A}$$



4.



# Pre Ap Circuits 4 Answers

**Jianjun Gao**



**Pre Ap Circuits 4 Answers:**

Yeah, reviewing a books **Pre Ap Circuits 4 Answers** could mount up your near associates listings. This is just one of the solutions for you to be successful. As understood, ability does not suggest that you have fantastic points.

Comprehending as well as treaty even more than other will present each success. next-door to, the proclamation as skillfully as keenness of this Pre Ap Circuits 4 Answers can be taken as well as picked to act.

<https://py.bijouxmedusa.com/files/scholarship/index.jsp/america%209%20347%20digital%20marketing%20for%20beginners%20usa%209%202711%20digital.pdf>

## **Table of Contents Pre Ap Circuits 4 Answers**

1. Understanding the eBook Pre Ap Circuits 4 Answers
  - The Rise of Digital Reading Pre Ap Circuits 4 Answers
  - Advantages of eBooks Over Traditional Books
2. Identifying Pre Ap Circuits 4 Answers
  - Exploring Different Genres
  - Considering Fiction vs. Non-Fiction
  - Determining Your Reading Goals
3. Choosing the Right eBook Platform
  - Popular eBook Platforms
  - Features to Look for in an Pre Ap Circuits 4 Answers
  - User-Friendly Interface
4. Exploring eBook Recommendations from Pre Ap Circuits 4 Answers
  - Personalized Recommendations
  - Pre Ap Circuits 4 Answers User Reviews and Ratings
  - Pre Ap Circuits 4 Answers and Bestseller Lists
5. Accessing Pre Ap Circuits 4 Answers Free and Paid eBooks
  - Pre Ap Circuits 4 Answers Public Domain eBooks

- Pre Ap Circuits 4 Answers eBook Subscription Services
- Pre Ap Circuits 4 Answers Budget-Friendly Options
- 6. Navigating Pre Ap Circuits 4 Answers eBook Formats
  - ePub, PDF, MOBI, and More
  - Pre Ap Circuits 4 Answers Compatibility with Devices
  - Pre Ap Circuits 4 Answers Enhanced eBook Features
- 7. Enhancing Your Reading Experience
  - Adjustable Fonts and Text Sizes of Pre Ap Circuits 4 Answers
  - Highlighting and Note-Taking Pre Ap Circuits 4 Answers
  - Interactive Elements Pre Ap Circuits 4 Answers
- 8. Staying Engaged with Pre Ap Circuits 4 Answers
  - Joining Online Reading Communities
  - Participating in Virtual Book Clubs
  - Following Authors and Publishers Pre Ap Circuits 4 Answers
- 9. Balancing eBooks and Physical Books Pre Ap Circuits 4 Answers
  - Benefits of a Digital Library
  - Creating a Diverse Reading Collection Pre Ap Circuits 4 Answers
- 10. Overcoming Reading Challenges
  - Dealing with Digital Eye Strain
  - Minimizing Distractions
  - Managing Screen Time
- 11. Cultivating a Reading Routine Pre Ap Circuits 4 Answers
  - Setting Reading Goals Pre Ap Circuits 4 Answers
  - Carving Out Dedicated Reading Time
- 12. Sourcing Reliable Information of Pre Ap Circuits 4 Answers
  - Fact-Checking eBook Content of Pre Ap Circuits 4 Answers
  - Distinguishing Credible Sources
- 13. Promoting Lifelong Learning
  - Utilizing eBooks for Skill Development
  - Exploring Educational eBooks

#### 14. Embracing eBook Trends

- Integration of Multimedia Elements
- Interactive and Gamified eBooks

### **Pre Ap Circuits 4 Answers Introduction**

Free PDF Books and Manuals for Download: Unlocking Knowledge at Your Fingertips In today's fast-paced digital age, obtaining valuable knowledge has become easier than ever. Thanks to the internet, a vast array of books and manuals are now available for free download in PDF format. Whether you are a student, professional, or simply an avid reader, this treasure trove of downloadable resources offers a wealth of information, conveniently accessible anytime, anywhere. The advent of online libraries and platforms dedicated to sharing knowledge has revolutionized the way we consume information. No longer confined to physical libraries or bookstores, readers can now access an extensive collection of digital books and manuals with just a few clicks. These resources, available in PDF, Microsoft Word, and PowerPoint formats, cater to a wide range of interests, including literature, technology, science, history, and much more. One notable platform where you can explore and download free Pre Ap Circuits 4 Answers PDF books and manuals is the internet's largest free library. Hosted online, this catalog compiles a vast assortment of documents, making it a veritable goldmine of knowledge. With its easy-to-use website interface and customizable PDF generator, this platform offers a user-friendly experience, allowing individuals to effortlessly navigate and access the information they seek. The availability of free PDF books and manuals on this platform demonstrates its commitment to democratizing education and empowering individuals with the tools needed to succeed in their chosen fields. It allows anyone, regardless of their background or financial limitations, to expand their horizons and gain insights from experts in various disciplines. One of the most significant advantages of downloading PDF books and manuals lies in their portability. Unlike physical copies, digital books can be stored and carried on a single device, such as a tablet or smartphone, saving valuable space and weight. This convenience makes it possible for readers to have their entire library at their fingertips, whether they are commuting, traveling, or simply enjoying a lazy afternoon at home. Additionally, digital files are easily searchable, enabling readers to locate specific information within seconds. With a few keystrokes, users can search for keywords, topics, or phrases, making research and finding relevant information a breeze. This efficiency saves time and effort, streamlining the learning process and allowing individuals to focus on extracting the information they need. Furthermore, the availability of free PDF books and manuals fosters a culture of continuous learning. By removing financial barriers, more people can access educational resources and pursue lifelong learning, contributing to personal growth and professional development. This democratization of knowledge promotes intellectual curiosity and empowers individuals to become lifelong learners, promoting progress and innovation in various fields. It is worth noting that while

accessing free Pre Ap Circuits 4 Answers PDF books and manuals is convenient and cost-effective, it is vital to respect copyright laws and intellectual property rights. Platforms offering free downloads often operate within legal boundaries, ensuring that the materials they provide are either in the public domain or authorized for distribution. By adhering to copyright laws, users can enjoy the benefits of free access to knowledge while supporting the authors and publishers who make these resources available. In conclusion, the availability of Pre Ap Circuits 4 Answers free PDF books and manuals for download has revolutionized the way we access and consume knowledge. With just a few clicks, individuals can explore a vast collection of resources across different disciplines, all free of charge. This accessibility empowers individuals to become lifelong learners, contributing to personal growth, professional development, and the advancement of society as a whole. So why not unlock a world of knowledge today? Start exploring the vast sea of free PDF books and manuals waiting to be discovered right at your fingertips.

### **FAQs About Pre Ap Circuits 4 Answers Books**

How do I know which eBook platform is the best for me? Finding the best eBook platform depends on your reading preferences and device compatibility. Research different platforms, read user reviews, and explore their features before making a choice. Are free eBooks of good quality? Yes, many reputable platforms offer high-quality free eBooks, including classics and public domain works. However, make sure to verify the source to ensure the eBook credibility. Can I read eBooks without an eReader? Absolutely! Most eBook platforms offer web-based readers or mobile apps that allow you to read eBooks on your computer, tablet, or smartphone. How do I avoid digital eye strain while reading eBooks? To prevent digital eye strain, take regular breaks, adjust the font size and background color, and ensure proper lighting while reading eBooks. What the advantage of interactive eBooks? Interactive eBooks incorporate multimedia elements, quizzes, and activities, enhancing the reader engagement and providing a more immersive learning experience. Pre Ap Circuits 4 Answers is one of the best book in our library for free trial. We provide copy of Pre Ap Circuits 4 Answers in digital format, so the resources that you find are reliable. There are also many Ebooks of related with Pre Ap Circuits 4 Answers. Where to download Pre Ap Circuits 4 Answers online for free? Are you looking for Pre Ap Circuits 4 Answers PDF? This is definitely going to save you time and cash in something you should think about.

### **Find Pre Ap Circuits 4 Answers :**

[America 9-347 digital marketing for beginners USA 9-2711 digital](#)

for small business 9-2227 sustainable living guide for entrepreneurs  
**ideas America 9-1634 chatbot development ideas USA 9-2063 chatbot**  
**9-1858 startup funding for beginners for small business 9-140 startup**  
America 9-2428 weight loss best practices United States 9-2945 weight  
9-2048 real estate investing roadmap for creators 9-673 real estate  
entrepreneurs 9-393 freelancing online tips United States 9-611  
startups 9-1025 crypto trading comparison for startups 9-1207 crypto  
roadmap USA 9-915 remote work roadmap United States 9-1389 remote work  
explained for startups 9-1601 chatbot development for beginners USA  
**tips for small business 9-2685 print on demand tips for startups 9-223**  
entrepreneurs 9-785 small business ideas apps United States 9-2686 small  
America 9-1569 fitness routines explained America 9-2364 fitness  
**development trends for entrepreneurs 9-245 chatbot development tutorial**  
**United States 9-1351 small business ideas for beginners United States**

#### Pre Ap Circuits 4 Answers :

easy guitar songs for children beginner level youtube - Apr 11 2023

web nov 6 2019 0 00 8 56 easy guitar songs for children beginner level david aldrige 4 07k subscribers subscribe 183k views 3 years ago starter songs on the guitar for beginners easy songs for

**101 children s easy timeless songs you can play on the guitar - Feb 09 2023**

web meet justinguitar children s songbooks this project started with the children s songs for mums dads songbook now called 101 children s songs on ukulele that many of you already know now it s more than time to release a guitar edition and you can get

easy guitar songs for kids 40 fun easy to play guitar songs - Jul 14 2023

web 40 fun easy to play guitar songs for beginners sheet music tabs chords lyrics

**top 40 easy guitar chord songs for beginners easy guitar songs fender - Jun 01 2022**

web top 40 easiest songs to learn on guitar from jimmy eat world to the great buddy guy you can pick up these songs in a snap check out our list of 40 of our easiest tracks to learn in fender play beginner featured popular sections learning some of your favorite songs can be a great way to jump start your starting your guitar journey

20 easy guitar songs for kids with videos musical mum - Jul 02 2022

web sep 4 2023 do you want to learn songs on guitar that are easy to play and enjoyable for kids while many guitar tunes may appear challenging at first the good news is that you can have a blast and make quick progress with these 20 popular songs

*easy guitar songs for kids 40 fun easy to play guitar songs* - Mar 10 2023

web 40 simple guitar songs for beginners mary had a little lamb twinkle twinkle little star can can baa baa black sheep ode to joy skip to my lou

**easy guitar songs for kids 40 fun easy to play guita** - Sep 04 2022

web 4 25 4 ratings0 reviews fun and easy guitar sheet music for beginners simple and popular tunes guitar sheet music with tabs chord diagrams beautiful illustrations perfect for beginners great gift

**25 easy beginner guitar songs for kids 2023 guitar advise** - Aug 03 2022

web aug 14 2023 twinkle twinkle little star c g f easy guitar for beginners twinkle twinkle little star nursery rhyme beginner level we all know the classic nursery rhyme from our childhoods you can easily teach this song to youngsters especially if they haven t mastered strumming since it only involves playing notes

17 easy guitar songs for kids with chords pick up the guitar - Aug 15 2023

web sep 22 2021 here are 15 easy guitar songs for kids 1 twinkle twinkle little star 2 let it go by frozen 3 the abc song 4 frère jacques 5 riptide 6 london bridge is falling down 7 wheels on the bus 8 happy birthday 9 this land is your land 10 how far i ll go 11 can you feel the love tonight 12 free falling 13 if you are happy you know it 14

**easy guitar songs for kids 40 fun easy to play guitar songs** - Nov 06 2022

web easy guitar songs for kids 40 fun easy to play guitar songs for beginners sheet music tabs chords lyrics johnson thomas 9781687279545 books amazon ca

top 20 the best songs for kids that you can play on the guitar - Mar 30 2022

web ever have kids around you when you have the guitar and wondered what guitar songs you can play to make them happy don t fret here are the top 20 best guitar songs for kids that you can play on the guitar to make kids happy

*35 super easy guitar songs for kids free sheet music* - Jun 13 2023

web 35 super easy guitar songs for kids free sheet music whether you are an elementary school teacher a nursery carer or an enthusiastic parent here you will find the best 35 easy guitar songs for kids to play on their favourite instrument

**75 easy guitar songs for beginners 2023 with tabs videos** - Feb 26 2022

web aug 21 2023 you might want to check our easy acoustic guitar songs list easy electric guitar songs list or easy bass guitar songs list depending on which type of guitar you play this list will also have many songs across all

*pdf easy guitar songs for kids 40 fun amp easy to play* - Jan 08 2023

web may 8 2020 read the latest magazines about pdf easy guitar songs for kids 40 fun easy to play guitar songs for beginners sheet music tabs chords lyrics ipad and discover magazines on yumpu com

**top 10 fun and easy guitar songs for kids musicblitz com** - Jan 28 2022

web jul 4 2023 the summary of this article highlights the top 10 easy guitar songs for kids which are perfect for beginners these songs are designed to be fun and entertaining with video tutorials available to help kids learn and play along incy wincy spider is one of the featured songs in the list

*easy guitar songs for kids kidsguitarworld* - Oct 05 2022

web do you want to play nursery rhymes on guitar for your child or are you just looking for some easy guitar songs for kids for your next guitar lessons in this article you are going to find a list of kid songs for guitar that easy and fun to learn

easy guitar songs for kids 40 fun easy to play guitar songs - Dec 07 2022

web easy guitar songs for kids 40 fun easy to play guitar songs for beginners sheet music tabs chords lyrics johnson thomas amazon co uk books

**12 easy guitar songs to play for learning and fun skillshare** - Dec 27 2021

web jan 11 2022 8 get it on bang a gong by t rex marc bolan the songwriter and guitarist for the band t rex was a genius whose influence was felt through several rock genres from glam to punk to psychedelic rock the band s biggest hit is layered with all sorts of guitar playing styles over its three simple chords

**100 easy guitar songs for beginners merriam music** - Apr 30 2022

web feb 14 2019 whether you are just starting to learn the guitar or you re more advanced learning your favourite songs on the guitar is an extremely fun experience that will motivate you to keep learning and grow your repertoire by learning to master your favourite songs on the guitar your love for music can only continue to grow

*top 50 famous easy guitar songs for kids tabs chords included* - May 12 2023

web from nursery rhymes to cartoon themes there are many amazingly easy songs for kids that children or their parents can learn to play on the guitar besides their easy chords and structures these songs are all familiar to the children and

**boredom whitechapel documents of contemporary art** - Jun 12 2023

web boredom whitechapel documents of contemporary art by mcdonough tom blazwick iwona at abebooks co uk isbn 10 0262533448 isbn 13 9780262533447

*boredom whitechapel documents of contemporary art* - Feb 08 2023

web 49 primary works 49 total works an editorial alliance between london s whitechapel gallery and the mit press each volume in the series is a definitive anthology on a

*boredom whitechapel documents of contemporary art* - Sep 03 2022

web sep 11 2018 a secret history of craft told through lost and overlooked texts that illuminate our understanding of current art practice craft is a contested concept in art history and

*documents of contemporary art memory whitechapel gallery* - May 31 2022

web mar 2 2012 praise for nature whitechapel documents of contemporary art while exploring how artists and theorists mediate between the spheres of nature and culture

*documents of contemporary art boredom* - Jul 13 2023

web boredom whitechapel documents of contemporary art mcdonough tom blazwick iwona amazon com tr kitap

**boredom whitechapel documents of contemporary art** - Jul 01 2022

web sep 20 2013 the market whitechapel documents of contemporary art natasha degen editor 24 95 publication date september 20th 2013 publisher the mit press

*shop whitechapel gallery books documents of* - Jan 07 2023

web paperback without boredom arguably there is no modernity the current sense of the word emerged simultaneously with industrialization mass politics and consumerism from

**whitechapel documents of contemporary art penguin random** - Oct 04 2022

web isbn 13 9780262533447 results powered by without boredom arguably there is no modernity the current sense of the word emerged simultaneously with

**destruction whitechapel documents of contemporary art** - Jan 27 2022

boredom whitechapel documents of contemporary art - Mar 29 2022

web feb 8 2013 the revival of documentary in art considered in historical theoretical and contemporary contexts after a long period in eclipse documentary has undergone a

the market whitechapel documents of contemporary art - Dec 26 2021

*whitechapel documents of contemporary art boredom tom* - Apr 29 2022

web she is co editor of the journal of modern craft and is author of the crafts in britain in the twentieth century 1999 the last sane man michael cardew 2012 which won the

whitechapel documents of contemporary art series goodreads - Aug 02 2022

web essays explore contemporary artists engagement with destruction and how it has disrupted the perceived integrity of built structures and institutions the effects and

*boredom whitechapel documents of contemporary art* - Nov 05 2022

web in contemporary art boredom is no longer viewed as a singular experience rather it is contingent on diverse social identifications and cultural positions and extends from a

**documents of contemporary art boredom** - Aug 14 2023

web jun 20 2023 whitechapel documents of contemporary art in 2006 london s famous whitechapel gallery and mit press formed an editorial alliance to produce a new series

**documents of contemporary art craft whitechapel gallery** - Oct 24 2021

boredom whitechapel documents of contemporary art - Mar 09 2023

web amazon in buy boredom whitechapel documents of contemporary art book online at best prices in india on amazon in read boredom whitechapel documents of

*craft whitechapel documents of contemporary art* - Feb 25 2022

**boredom whitechapel documents of contemporary art** - May 11 2023

web in contemporary art boredom is no longer viewed as a singular experience rather it is contingent on diverse social identifications and cultural positions and exists along a

**boredom whitechapel documents of contemporary art** - Dec 06 2022

web part of the acclaimed documents of contemporary art series of anthologies which collect writing on major themes and ideas in contemporary art this anthology investigates the

**documentary whitechapel documents of contemporary art** - Sep 22 2021

nature whitechapel documents of contemporary art - Nov 24 2021

**whitechapel documents of contemporary art mit press** - Apr 10 2023

web whitechapel documents of contemporary art buy books online and find book series such as whitechapel documents of contemporary art written by tom mcdonough

**a teacher s professional development goals teachhub** - Dec 06 2022

web m measurable identify exactly what it is you will see hear and feel when you reach your goal think about assessing your progress in trying to meet the goal ask yourself what

19 professional development goals for teachers examples - Jul 01 2022

web every classroom situation is unique you are the most qualified person to pick your professional development goals

however there are many things teachers have in  
[teachers nsw department of education](#) - Feb 25 2022

web teacher mega goal i will research and implement strategies in insert content area to meet the annual student learning objective slo so that each student will show growth

[goal setting guide for teachers](#) - Jan 07 2023

web may 16 2022 a range of support resources are available to support development of school staff pdps including goal setting guides and sample goals reflection templates video

**sample ipdp goals summit esc** - Oct 24 2021

**professional development plan examples center for** - Feb 08 2023

web oct 23 2019 teacher resources professional development as teachers we all want to grow that s why we like to make professional development goals for ourselves goals

[performance and development framework for principals](#) - Mar 29 2022

web professional development plan for beginning teachers name i b awesome supervisor evaluator dr spindle mentor c jones school dekalb junior

[smart goals school learning support officer nsw](#) - Oct 04 2022

web specific goals what key skills are needed for each goal what skills do you need to develop what actions are you going to take target dates for progress review and

*how to create teacher driven professional* - Mar 09 2023

web this goal setting guide recommends an approach for developing performance and development p d goals together with samples of goals developed in line with this

*sample plans and writing goals amazon web services* - Sep 22 2021

**sample pdp goal statements pdf classroom management** - Dec 26 2021

web increase my awareness of school and community resources to assist students parents and or colleagues i will continue to broaden my knowledge of service learning its link

*professional development plan for teachers high speed training* - Aug 02 2022

web dec 18 2021 learn about the importance of professional goals for teachers discover how to create smart teacher goals and examine teacher professional goal examples

**example completed professional development** - Nov 24 2021

web a goal statement should state an intention to engage in learning in this part of the goal statement the educator should use an action verb that signifies learning describe an

*development plan for teachers free template high* - Apr 10 2023

web here you will find several examples of professional development plans for you to use as a guide in designing your own professional development journey example 1 this example

professional development goals for teachers overview - May 31 2022

web the pdp goals this phase involves a focus on the continuous improvement of teaching learning and leadership practice and the learning outcomes of students reflective

**15 teacher professional goals examples for 2023 develop** - Aug 14 2023

web apr 9 2023 final thoughts on smart goals examples for teachers there you take it smart goals used teachers in 2023 shouldn be specific measurable

17 smart goals examples for teachers in 2023 sample pdp - Jul 13 2023

web will learn about and implement differentiated formative and summative assessment techniques to enhance my knowledge of my students to evaluate student progress and

**professional development plan for beginning** - Jan 27 2022

web 4 a teachers know the ways in which learning takes place and they know appropriate levels of intellectual physical social and emotional development of their students 4 b

*teacher goal setting and professional development gspd* - Sep 03 2022

web apr 21 2021 19 professional development goals for teachers examples post views 585 last updated on april 21 2021 professional development goals for teachers

performance and development for teacher class - Nov 05 2022

web sample document the goal setting and professional development gspd process is an ongoing recursive process where teachers reflect on current professional practices

**6 professional development learning goals for teachers w** - Jun 12 2023

web oct 25 2019 there are 9 steps to completing a pdp assess where you are now identify your specific career goals gather information identify what professional skills you

sample pdp goal statements 2013 2014 dcntp org - May 11 2023

web jul 1 2020 to maximize the program align the rubric and professional learning plans to any district mandated professional growth plans teacher buy in is a critical first step in

**professional development goals for teachers teacher power** - Apr 29 2022

web the performance and development framework describes an annual three phase process where teachers plan implement and review their performance and development plan