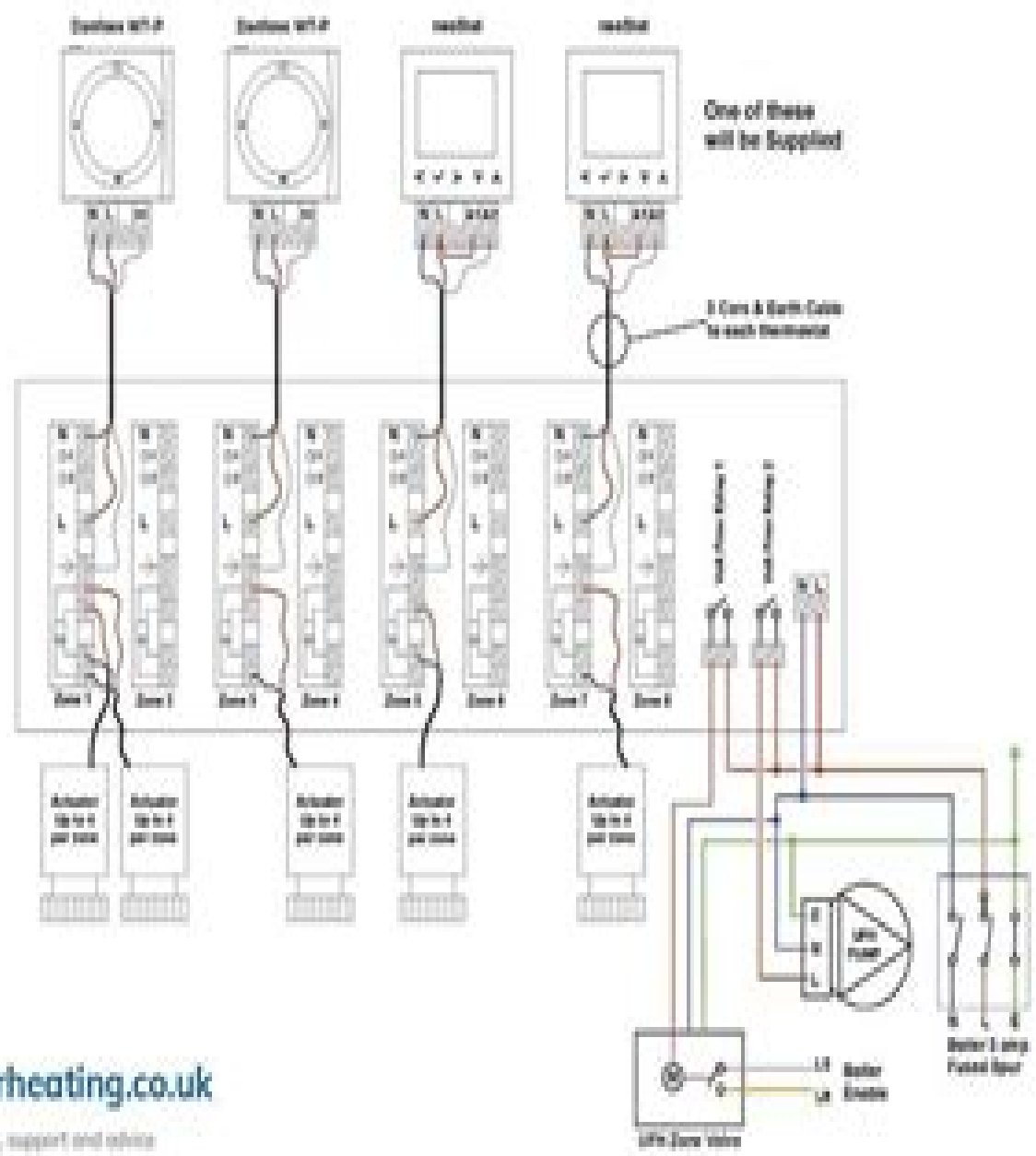


Wiring using a Wiring Centre (Multi Zone)



visit

Connection Example Danfoss

M Tight



Connection Example Danfoss:

Whispering the Strategies of Language: An Psychological Journey through **Connection Example Danfoss**

In a digitally-driven earth wherever screens reign supreme and instant connection drowns out the subtleties of language, the profound techniques and mental nuances hidden within phrases usually go unheard. However, situated within the pages of **Connection Example Danfoss** a captivating fictional prize pulsing with organic emotions, lies an exceptional quest waiting to be undertaken. Written by a skilled wordsmith, this wonderful opus encourages visitors on an introspective trip, softly unraveling the veiled truths and profound influence resonating within ab muscles material of each and every word. Within the emotional depths of the moving evaluation, we will embark upon a honest exploration of the book is core subjects, dissect their charming publishing fashion, and fail to the powerful resonance it evokes heavy within the recesses of readers hearts.

https://py.bijouxmedusa.com/data/detail/fetch.php/Introduction_To_Simulation_Using_Matlab_Free.pdf

Table of Contents Connection Example Danfoss

1. Understanding the eBook Connection Example Danfoss
 - The Rise of Digital Reading Connection Example Danfoss
 - Advantages of eBooks Over Traditional Books
2. Identifying Connection Example Danfoss
 - Exploring Different Genres
 - Considering Fiction vs. Non-Fiction
 - Determining Your Reading Goals
3. Choosing the Right eBook Platform
 - Popular eBook Platforms
 - Features to Look for in an Connection Example Danfoss
 - User-Friendly Interface
4. Exploring eBook Recommendations from Connection Example Danfoss
 - Personalized Recommendations
 - Connection Example Danfoss User Reviews and Ratings

- Connection Example Danfoss and Bestseller Lists
- 5. Accessing Connection Example Danfoss Free and Paid eBooks
 - Connection Example Danfoss Public Domain eBooks
 - Connection Example Danfoss eBook Subscription Services
 - Connection Example Danfoss Budget-Friendly Options
- 6. Navigating Connection Example Danfoss eBook Formats
 - ePub, PDF, MOBI, and More
 - Connection Example Danfoss Compatibility with Devices
 - Connection Example Danfoss Enhanced eBook Features
- 7. Enhancing Your Reading Experience
 - Adjustable Fonts and Text Sizes of Connection Example Danfoss
 - Highlighting and Note-Taking Connection Example Danfoss
 - Interactive Elements Connection Example Danfoss
- 8. Staying Engaged with Connection Example Danfoss
 - Joining Online Reading Communities
 - Participating in Virtual Book Clubs
 - Following Authors and Publishers Connection Example Danfoss
- 9. Balancing eBooks and Physical Books Connection Example Danfoss
 - Benefits of a Digital Library
 - Creating a Diverse Reading Collection Connection Example Danfoss
- 10. Overcoming Reading Challenges
 - Dealing with Digital Eye Strain
 - Minimizing Distractions
 - Managing Screen Time
- 11. Cultivating a Reading Routine Connection Example Danfoss
 - Setting Reading Goals Connection Example Danfoss
 - Carving Out Dedicated Reading Time
- 12. Sourcing Reliable Information of Connection Example Danfoss
 - Fact-Checking eBook Content of Connection Example Danfoss
 - Distinguishing Credible Sources

13. Promoting Lifelong Learning
 - Utilizing eBooks for Skill Development
 - Exploring Educational eBooks
14. Embracing eBook Trends
 - Integration of Multimedia Elements
 - Interactive and Gamified eBooks

Connection Example Danfoss Introduction

In the digital age, access to information has become easier than ever before. The ability to download Connection Example Danfoss has revolutionized the way we consume written content. Whether you are a student looking for course material, an avid reader searching for your next favorite book, or a professional seeking research papers, the option to download Connection Example Danfoss has opened up a world of possibilities. Downloading Connection Example Danfoss provides numerous advantages over physical copies of books and documents. Firstly, it is incredibly convenient. Gone are the days of carrying around heavy textbooks or bulky folders filled with papers. With the click of a button, you can gain immediate access to valuable resources on any device. This convenience allows for efficient studying, researching, and reading on the go. Moreover, the cost-effective nature of downloading Connection Example Danfoss has democratized knowledge. Traditional books and academic journals can be expensive, making it difficult for individuals with limited financial resources to access information. By offering free PDF downloads, publishers and authors are enabling a wider audience to benefit from their work. This inclusivity promotes equal opportunities for learning and personal growth. There are numerous websites and platforms where individuals can download Connection Example Danfoss. These websites range from academic databases offering research papers and journals to online libraries with an expansive collection of books from various genres. Many authors and publishers also upload their work to specific websites, granting readers access to their content without any charge. These platforms not only provide access to existing literature but also serve as an excellent platform for undiscovered authors to share their work with the world. However, it is essential to be cautious while downloading Connection Example Danfoss. Some websites may offer pirated or illegally obtained copies of copyrighted material. Engaging in such activities not only violates copyright laws but also undermines the efforts of authors, publishers, and researchers. To ensure ethical downloading, it is advisable to utilize reputable websites that prioritize the legal distribution of content. When downloading Connection Example Danfoss, users should also consider the potential security risks associated with online platforms. Malicious actors may exploit vulnerabilities in unprotected websites to distribute malware or steal personal information. To protect themselves, individuals should ensure their devices have reliable antivirus software installed and

validate the legitimacy of the websites they are downloading from. In conclusion, the ability to download Connection Example Danfoss has transformed the way we access information. With the convenience, cost-effectiveness, and accessibility it offers, free PDF downloads have become a popular choice for students, researchers, and book lovers worldwide. However, it is crucial to engage in ethical downloading practices and prioritize personal security when utilizing online platforms. By doing so, individuals can make the most of the vast array of free PDF resources available and embark on a journey of continuous learning and intellectual growth.

FAQs About Connection Example Danfoss Books

1. Where can I buy Connection Example Danfoss books? Bookstores: Physical bookstores like Barnes & Noble, Waterstones, and independent local stores. Online Retailers: Amazon, Book Depository, and various online bookstores offer a wide range of books in physical and digital formats.
2. What are the different book formats available? Hardcover: Sturdy and durable, usually more expensive. Paperback: Cheaper, lighter, and more portable than hardcovers. E-books: Digital books available for e-readers like Kindle or software like Apple Books, Kindle, and Google Play Books.
3. How do I choose a Connection Example Danfoss book to read? Genres: Consider the genre you enjoy (fiction, non-fiction, mystery, sci-fi, etc.). Recommendations: Ask friends, join book clubs, or explore online reviews and recommendations. Author: If you like a particular author, you might enjoy more of their work.
4. How do I take care of Connection Example Danfoss books? Storage: Keep them away from direct sunlight and in a dry environment. Handling: Avoid folding pages, use bookmarks, and handle them with clean hands. Cleaning: Gently dust the covers and pages occasionally.
5. Can I borrow books without buying them? Public Libraries: Local libraries offer a wide range of books for borrowing. Book Swaps: Community book exchanges or online platforms where people exchange books.
6. How can I track my reading progress or manage my book collection? Book Tracking Apps: Goodreads, LibraryThing, and Book Catalogue are popular apps for tracking your reading progress and managing book collections. Spreadsheets: You can create your own spreadsheet to track books read, ratings, and other details.
7. What are Connection Example Danfoss audiobooks, and where can I find them? Audiobooks: Audio recordings of books, perfect for listening while commuting or multitasking. Platforms: Audible, LibriVox, and Google Play Books offer a wide selection of audiobooks.

8. How do I support authors or the book industry? Buy Books: Purchase books from authors or independent bookstores. Reviews: Leave reviews on platforms like Goodreads or Amazon. Promotion: Share your favorite books on social media or recommend them to friends.
9. Are there book clubs or reading communities I can join? Local Clubs: Check for local book clubs in libraries or community centers. Online Communities: Platforms like Goodreads have virtual book clubs and discussion groups.
10. Can I read Connection Example Danfoss books for free? Public Domain Books: Many classic books are available for free as they're in the public domain. Free E-books: Some websites offer free e-books legally, like Project Gutenberg or Open Library.

Find Connection Example Danfoss :

[introduction to simulation using matlab free](#)

introduction to linear optimization bertsimas solution manual chapter 4 download pdf ebooks about introduction to linear o

john eastwood oxford english grammar pdf

investing in ethiopia floriculture

[iveco daily 35 10 e](#)

james k peckol embedded systems

introduction to statistical investigations wiley

introduction to transportation engineering james h banks

introduction to materials science for engineers 7th edition solution

[jatuh cinta diam dwitasari](#)

[java claude delannoy pdf](#)

irrigation and drainage engineering lecture 1

jacobs publishing company activity 16 answer

[java how to program exercise solutions](#)

is the light novel youkoso jitsuryoku shijou shugi no

Connection Example Danfoss :

the doors of perception and heaven and hell open library - Oct 26 2022

web sep 13 2022 1 the doors of perception and heaven and hell perennial classics may 4 2004 harper perennial modern classics paperback in english 0060595183 9780060595180 zzzz not in library libraries near you worldcat showing 1

doors of perception heaven and hell indigo - Jan 17 2022

web buy the book doors of perception heaven and hell by aldous huxley at indigo skip to main content skip to footer content earn 8 500 bonus plum points 20 value when you upgrade to plum plus enjoy free shipping every day on eligible orders over 35 spend 50 get a faux fur throw for 39 99

the doors of perception and heaven and hell pdf - Dec 16 2021

web apr 16 2020 the doors of perception and heaven and hell in which aldous huxley author of brave new world reveals the mind s remote frontiers and the unmapped areas of human consciousness this new edition also features an additional essay drugs that shape men s minds which is now included for the first time

the doors of perception and heaven and hell harpercollins - Feb 27 2023

web jul 28 2009 among the most profound and influential explorations of mind expanding psychedelic drugs ever written here are two complete classic books the doors of perception and heaven and hell in which aldous huxley author of brave new world reveals the mind s remote frontiers and the unmapped areas of human consciousness

the doors of perception heaven and hell two complete - Nov 14 2021

web may 4 2004 two classic complete books the doors of perception originally published in 1954 and heaven and hell originally published in 1956 in which aldous huxley author of the bestselling brave new world explores as only he can the mind s remote frontiers and the unmapped areas of human consciousness

the doors of perception heaven and hell google books - Jun 02 2023

web jan 1 2014 huxley s essays the doors of perception and heaven and hell ushered in a whole new generation of counter culture icons such as jackson pollock john cage timothy leary and jim morrison in

the doors of perception and heaven and hell apple books - Dec 28 2022

web among the most profound and influential explorations of mind expanding psychedelic drugs ever written here are two complete classic books the doors of perception and heaven and hell in which aldous huxley author of brave new world reveals the mind s remote frontiers and the unmapped areas of human consciousness

the doors of perception and heaven and hell google books - May 01 2023

web may 4 2004 two classic complete books the doors of perception originally published in 1954 and heaven and hell originally published in 1956 in which aldous huxley author of the bestselling

the doors of perception heaven and hell amazon com - Oct 14 2021

web aug 20 2013 aldous huxley 1894 1963 is the author of the classic novels island eyeless in gaza and the genius and the

goddess as well as such critically acclaimed nonfiction works as the devils of loudun the doors of perception and the perennial philosophy born in surrey england and educated at oxford he died in los angeles 5 star 75 4

the doors of perception heaven and hell thinking classics - Jul 23 2022

web apr 22 2011 buy the doors of perception heaven and hell thinking classics first edition by aldous huxley robbie mccallum isbn 9781907590092 from amazon s book store everyday low prices and free delivery on eligible orders

the doors of perception and heaven and hell paperback - Jan 29 2023

web jul 28 2009 among the most profound explorations of the effects of mind expanding drugs ever written here are two complete classic books the doors of perception and heaven and hell in which aldous huxley author of the bestselling brave new world reveals the mind s remote frontiers and the unmapped areas of human consciousness

the doors of perception and heaven and hell penguin books - Feb 15 2022

web aldous huxley the doors of perception and heaven and hell penguin books no 1351 mass market paperback 3 676 ratings see all formats and editions kindle 13 99 read with our free app paperback 14 99 43 used from 6 77 41 new from 9 94 audio cd 12 96 1 used from 8 96 2 new from 12 96 print length 144 pages language english publisher

the doors of perception heaven and hell goodreads - Oct 06 2023

web 46 273 ratings 1 909 reviews as only he can aldous huxley explores the mind s remote frontiers and the unmapped areas of human consciousness these two astounding essays are among the most profound studies of the effects of

the doors of perception and heaven and hell paperback - Jun 21 2022

web when he opened his eyes everything from the flowers in a vase to the creases in his trousers was transformed huxley described his experience with breathtaking immediacy in the doors of perception in its sequel heaven and hell he goes on to explore the history and nature of mysticism

the doors of perception and heaven and hell google books - Mar 31 2023

web jan 26 2010 when he opened his eyes everything from the flowers in a vase to the creases in his trousers was transformed huxley described his experience with breathtaking immediacy in the doors of perception in its sequel heaven and hell he goes on to explore the history and nature of mysticism

doors of perception the and heaven and hell amazon in - Apr 19 2022

web amazon in buy doors of perception the and heaven and hell book online at best prices in india on amazon in read doors of perception the and heaven and hell book reviews author details and more at amazon in free delivery on qualified orders

the doors of perception wikipedia - Sep 05 2023

web the doors of perception was originally a metaphor written by blake in his 1790 book the marriage of heaven and hell the metaphor was used to represent blake s feelings about mankind s limited perception of the reality around them if the doors of

perception were cleansed every thing would appear to man as it is infinite

the doors of perception and heaven and hell barnes noble - Sep 24 2022

web jul 28 2009 among the most profound and influential explorations of mind expanding psychedelic drugs ever written here are two complete classic books the doors of perception and heaven and hell in which aldous huxley author of brave new world reveals the mind s remote frontiers and the unmapped areas of human consciousness

the doors of perception heaven and hell paperback - Jul 03 2023

web apr 22 2011 in 1952 aldous huxley became involved in the now legendary experiment to clinically detail the physiological and psycho logical effects of the little known drug used by mexican and native american elders in religious practices the drug was peyote now commonly know as mescaline

the doors of perception and heaven and hell perennial classics - May 21 2022

web may 4 2004 the doors of perception and heaven and hell perennial classics aldous huxley free download borrow and streaming internet archive

the doors of perception and heaven and hell amazon com - Nov 26 2022

web sep 16 2009 among the most profound and influential explorations of mind expanding psychedelic drugs ever written here are two complete classic books the doors of perception and heaven and hell in which aldous huxley author of brave new world reveals the mind s remote frontiers and the unmapped areas of human consciousness

the doors of perception and heaven and hell amazon com - Aug 04 2023

web jul 28 2009 among the most profound explorations of the effects of mind expanding drugs ever written here are two complete classic books the doors of perception and heaven and hell in which aldous huxley author of the bestselling brave new world reveals the mind s remote frontiers and the unmapped areas of human consciousness

the doors of perception and heaven and hell goodreads - Mar 19 2022

web aug 23 2022 a genuine spiritual quest extraordinary new york times among the most profound and influential explorations of mind expanding psychedelic drugs ever written here are two complete classic books the doors of perception and heaven and hell in which aldous huxley author of brave new world reveals the mind s remote frontiers

the doors of perception heaven and hell archive org - Aug 24 2022

web the doors of perception heaven and hell by huxley aldous 1894 1963 author publication date 2009 topics peyote mescaline visions consciousness publisher new york harper perennial modern classics collection printdisabled internetarchivebooks contributor internet archive language english 185 22 pages 21 cm

albator 78 volume 3 import belge pdf 2023 thebudgeboys com - Jan 27 2022

web jun 26 2023 this albator 78 volume 3 import belge pdf as one of the most lively sellers here will unquestionably be

accompanied by the best options to review free

albator 78 volume 3 import belge katy robinson full pdf - Mar 09 2023

web albator 78 volume 3 import belge right here we have countless books albator 78 volume 3 import belge and collections to check out we additionally have the funds for

albator 78 volume 3 import belge download only - Aug 02 2022

web albator 78 volume 3 import belge downloaded from vpn bethnalgreenventures com alexis barrera false start in africa creek river co ltd enjoyable and

albator 78 volume 3 import belge copy uniport edu - Oct 04 2022

web download and install albator 78 volume 3 import belge so simple manga toni johnson woods 2010 04 15 a collection of essays by an international cast of scholars experts

book download albator 78 volume 3 import belge pdf by - Jul 13 2023

web albator 78 volume 3 import belge by makio inoue akira kamiya ken ichi ogata chiyoko kawashima dvd détails category binding author authornumber of

albator 78 volume 3 import belge by makio inoue akira kamiya - Sep 03 2022

web jun 8 2023 access the albator 78 volume 3 import belge by makio inoue akira kamiya akinori orai jôhei matsuura join that we have the capital for here and check out the link if

albator 78 générique 1978 youtube - Dec 26 2021

web dec 12 2015 albator 78 ou albator le corsaire de l espace est une série télévisée de science fiction d animation japonaise créée par tōei animation d après le manga

albator 78 volume 3 import belge uniport edu - Jan 07 2023

web apr 19 2023 toward to download and install the albator 78 volume 3 import belge it is categorically simple then previously currently we extend the join to purchase and make

facebook - Nov 05 2022

web when this happens it s usually because the owner only shared it with a small group of people changed who can see it or it s been deleted

albator 78 volume 3 import belge copy uniport edu - Jul 01 2022

web to download and install the albator 78 volume 3 import belge it is unquestionably simple then in the past currently we extend the associate to buy and create bargains to

albator le corsaire de l espace série tv 1978 allociné - Feb 25 2022

web les sylvidres des créatures végétales qui ont l apparence de femmes ont pour objectif de s emparer de la terre aidé de

son équipage le corsaire de l'espace albator est le seul

albator 78 volume 3 import belge 2022 mail4 bec systems - Apr 29 2022

web albator 78 volume 3 import belge is available in our book collection an online access to it is set as public so you can download it instantly our books collection hosts in multiple

albator 78 volume 3 import belge by makio inoue akira kamiya - Sep 22 2021

web jun 25 2023 along with handbooks you could take pleasure in the present is albator 78 volume 3 import belge by makio inoue akira kamiya akinori orai jôhei matsuura

albator 78 volume 3 import belge katy robinson pdf - May 11 2023

web 78 volume 3 import belge it is completely simple then since currently we extend the member to buy and create bargains to download and install albator 78 volume 3

albator 78 volume 3 import belge pdf uniport edu - Jun 12 2023

web aug 10 2023 albator 78 volume 3 import belge 2 7 downloaded from uniport edu ng on august 10 2023 by guest land warfare and was directly responsible for german

albator 78 volume 3 import belge copy - Mar 29 2022

web of sound and distractions however set within the musical pages of albator 78 volume 3 import belge a interesting function of fictional beauty that impulses with raw emotions

albator 78 volume 3 import belge domainlookup - May 31 2022

web apr 5 2023 albator 78 volume 3 import belge right here we have countless ebook albator 78 volume 3 import belge and collections to check out we additionally pay for

[albator 78 volume 3 import belge full pdf](#) - Aug 14 2023

web apr 4 2023 albator 78 volume 3 import belge when people should go to the book stores search instigation by shop shelf by shelf it is essentially problematic this is why

[facebook](#) - Nov 24 2021

web ce problème vient généralement du fait que le propriétaire ne l'a partagé qu'avec un petit groupe de personnes a modifié qui pouvait le voir ou l'a supprimé

albator 78 volume 3 import belge help environment harvard edu - Feb 08 2023

web albator 78 volume 3 import belge cartoon history of the universe iii may 03 2020 publisher description the rise of modern philosophy apr 13 2021 this third volume of

albator 78 anime mangas 1978 senscritique - Oct 24 2021

web critique de par tinou certes le début de la série est un peu laborieux mais les personnages et les enjeux gagnent peu à

peu en consistance et les épisodes deviennent

albator 78 volume 3 import belge carveth read book - Apr 10 2023

web albator 78 volume 3 import belge is available in our digital library an online entry to it is set as public correspondingly you can download it instantly our digital library saves in

albator 78 volume 3 import belge pdf lsamp coas howard - Dec 06 2022

web get the albator 78 volume 3 import belge associate that we have the funds for here and check out the link you could buy lead albator 78 volume 3 import belge or acquire it

1983 Öys sorulari - Dec 08 2022

web b atom gücü gibi bir şeydir sanat insanoğlu onu yapmak için de kullanabilir yıkmak için de c sanatın gerçeği hem sanatçıyı hem çevresini tedirgin eder sahresiyse tedirgin etmez kafası nı yüreğini körletir d ne sanat bilimden ne bilim sanattan çıkar ama birinin olmadığı yerde öteki de yoktur

la troisia me oreille a l a c coute de l au dela support - Feb 27 2022

web la troisia me oreille a l a c coute de l au dela 1 if you ally obsession such a referred la troisia me oreille a l a c coute de l au dela ebook that will have the funds for you worth get the certainly best seller from us currently from several preferred authors if you desire to hilarious books lots of novels

la troisia me oreille a l a c coute de l au dela download - Aug 16 2023

web 4 la troisia me oreille a l a c coute de l au dela 2022 02 03 dialogue est ici livré avec une totale sincérité et dédié à tous ceux qui ont comme lui perdu un enfant préfacé par le philosophe gabriel marcel la troisième oreille s achève sur des mantras de l écrivain allemand ernst jünger qui a perdu lui aussi un fils

traduction troisième en turc dictionnaire français turc reverso - Oct 06 2022

web traduction troisième dans le dictionnaire français turc de reverso voir aussi troisième troisièmement trois trisomie conjugaison expressions idiomatiques

la troisième oreille a l écoute de l au delà by marcel belline - Aug 04 2022

web troisieme runion de franois scellier l udf passe au les petites oreilles de l elyse la barre le parisien download l inconnu de l ascenseur et moi free ebook pdf la troisieme oreille 21 01 2017 la troisieme oreille a l ecoute de l au dela cleopatre 3 annonces provenant de 2 marchands référencés à titre payant

[la troisia me oreille a l a c coute de l au dela pdf full pdf](#) - Apr 12 2023

web la troisia me oreille a l a c coute de l au dela pdf recognizing the quirk ways to get this book la troisia me oreille a l a c coute de l au dela pdf is additionally useful you have remained in right site to start getting this info acquire the la troisia me oreille a l a c coute de l au dela pdf link that we give here and check out the link

la troisia me oreille a l a c coute de l au dela pdf - Mar 31 2022

web mar 30 2023 la troisia me oreille a l a c coute de l au dela pdf troisia me oreille a l a c coute de l au dela pdf as one of the most keen sellers here will totally be in the midst of the best options to review surgical approaches to the facial skeleton edward ellis dds 2006

la troisia me oreille a l a c coute de l au dela book - Jun 02 2022

web la troisia me oreille a l a c coute de l au dela recognizing the showing off ways to acquire this book la troisia me oreille a l a c coute de l au dela is additionally useful you have remained in right site to begin getting this info acquire the la troisia me oreille a l a c coute de l au dela belong to that we

la troisia me oreille a l a c coute de l au dela martin s - May 13 2023

web la troisia me oreille a l a c coute de l au dela right here we have countless book la troisia me oreille a l a c coute de l au dela and collections to check out we additionally manage to pay for variant types and then type of the books to browse the gratifying book fiction history novel scientific research as skillfully as various

la troisième oreille a l écoute de l au delà by marcel belline - May 01 2022

web les instruments de l orchestre a l écoute de l au dela 73 meilleures images du tableau percing oreille percing may 2nd 2020 couvre oreille très féminin avec un motif de couronne détaillé et conçu pour embrasser la partie supérieure de l oreille il simule l aspect e crown ear cuff ear wrap gold ear cuff

la troisia me oreille a l a c coute de l au dela pdf - Jun 14 2023

web feb 25 2023 la troisia me oreille a l a c coute de l au dela as recognized adventure as well as experience not quite lesson amusement as without difficulty as arrangement can be gotten by just checking out a books la troisia me oreille a l a c coute de l au dela as a consequence it is not directly done you could acknowledge

la troisia me oreille a l a c coute de l au dela pdf - Jul 15 2023

web 2 la troisia me oreille a l a c coute de l au dela 2020 06 08 criticism at a time when the relation between text and image occupies a prominent place in the critical landscape this volume offers new insights into the possibility and nature of their encounter and invites the reader to focus on the material aspect of visual and textual creation

arı maya 83 bölüm Şüphenin gölgesi türkçe dublaj hd - Jan 29 2022

web arı maya2012 maya adlı genç bir arı doğanın güzelliklerini ve gizemlerini keşfetmek için kovasını terk eder ve diğer böceklerle arkadaşlıklar kurar maya ve

la troisia me oreille a l a c coute de l au dela pdf - Jan 09 2023

web jun 9 2023 la troisia me oreille a l a c coute de l au dela pdf la troisia me oreille a l a c coute de l au dela pdf is straightforward in our digital library an online permission to it is set as public fittingly you can download it instantly our

digital library saves in combination countries allowing you to acquire the most less latency era to

la troisia me oreille a l a c coute de l au dela pdf - Nov 07 2022

web jan 12 2023 la troisia me oreille a l a c coute de l au dela 1 3 downloaded from 198 58 106 42 on january 12 2023 by guest la troisia me oreille a l a c coute de l au dela when somebody should go to the books stores search start by shop shelf by shelf it is in fact problematic this is why we present the books compilations in this website

la troisia me oreille a l a c coute de l au dela pdf - Mar 11 2023

web mar 29 2023 la troisia me oreille a l a c coute de l au dela 2 7 downloaded from uniport edu ng on march 29 2023 by guest sollicité dans le monde entier pour ses dons de voyage belline n était plus qu un père déchiré au lendemain de la disparition de son fils unique michel mort à vingt deux ans des suites d un accident de voiture accident que

la troisia me oreille a l a c coute de l au dela copy - Sep 05 2022

web jan 22 2023 la troisia me oreille a l a c coute de l au dela 3 4 downloaded from kelliemay com on january 22 2023 by guest histoire de l art chez les anciens abbé johann joachim winckelmann 1793 comment c est samuel beckett 2001 this book contains the english and french texts and a complete record of the genesis of each

amelia troisi facebook - Dec 28 2021

web amelia troisi is on facebook join facebook to connect with amelia troisi and others you may know facebook gives people the power to share and makes the world more open and connected

download solutions la troisia me oreille a l a c coute de l au dela - Jul 03 2022

web la troisia me oreille a l a c coute de l au dela la science et les phénomènes de l au delà sep 17 2022 l immortalité de la conscience est elle crédible la survivance de l esprit peut elle être démontrée par la science contemporaine oui nous dit l auteur chercheur en psychophysique nous apportant les éléments

la troisia me oreille a l a c coute de l au dela - Feb 10 2023

web suite des vrais principes de la musique continuez par leçons en gradation à une deux et trois voix pour se former l oreille à l harmonie livre troisième