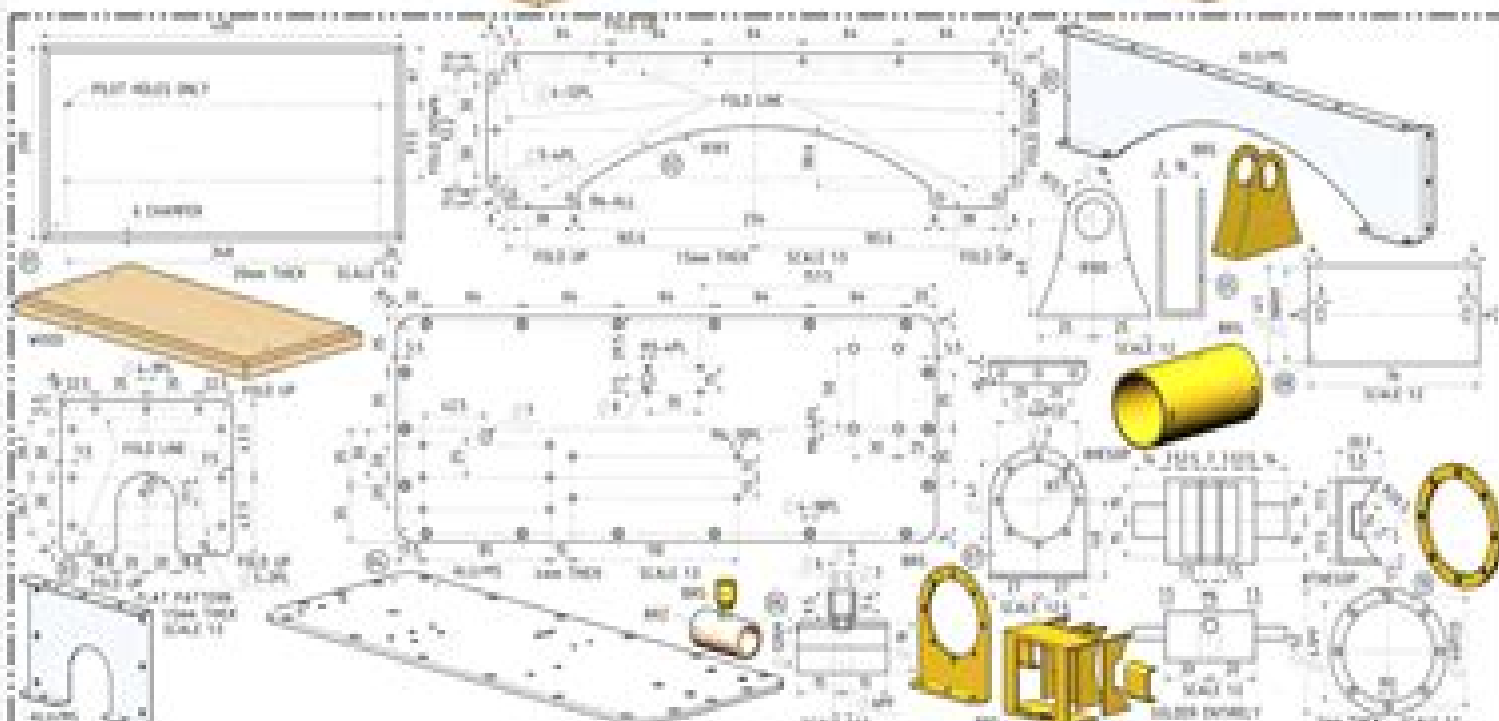
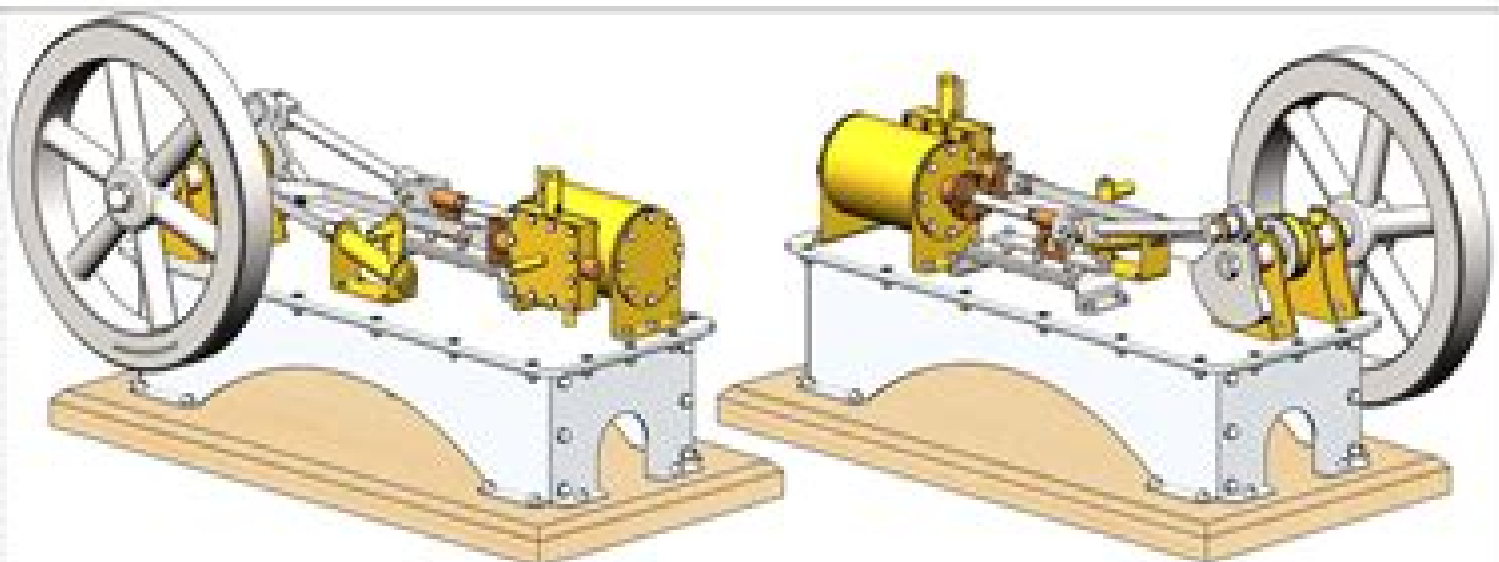


- 100244-01-000000 BASE 17" DIA
- 100244-02-000000 PLATE 100
- 100244-03-000000 PLATE 100
- 100244-04-000000 PLATE 100
- 100244-05-000000 PLATE 100
- 100244-06-000000 PLATE 100
- 100244-07-000000 PLATE 100
- 100244-08-000000 PLATE 100
- 100244-09-000000 PLATE 100
- 100244-10-000000 PLATE 100
- 100244-11-000000 PLATE 100
- 100244-12-000000 PLATE 100
- 100244-13-000000 PLATE 100
- 100244-14-000000 PLATE 100
- 100244-15-000000 PLATE 100
- 100244-16-000000 PLATE 100
- 100244-17-000000 PLATE 100
- 100244-18-000000 PLATE 100
- 100244-19-000000 PLATE 100
- 100244-20-000000 PLATE 100
- 100244-21-000000 PLATE 100
- 100244-22-000000 PLATE 100
- 100244-23-000000 PLATE 100
- 100244-24-000000 PLATE 100
- 100244-25-000000 PLATE 100
- 100244-26-000000 PLATE 100
- 100244-27-000000 PLATE 100
- 100244-28-000000 PLATE 100
- 100244-29-000000 PLATE 100
- 100244-30-000000 PLATE 100
- 100244-31-000000 PLATE 100
- 100244-32-000000 PLATE 100
- 100244-33-000000 PLATE 100
- 100244-34-000000 PLATE 100
- 100244-35-000000 PLATE 100
- 100244-36-000000 PLATE 100
- 100244-37-000000 PLATE 100
- 100244-38-000000 PLATE 100
- 100244-39-000000 PLATE 100
- 100244-40-000000 PLATE 100
- 100244-41-000000 PLATE 100
- 100244-42-000000 PLATE 100
- 100244-43-000000 PLATE 100
- 100244-44-000000 PLATE 100
- 100244-45-000000 PLATE 100
- 100244-46-000000 PLATE 100
- 100244-47-000000 PLATE 100
- 100244-48-000000 PLATE 100
- 100244-49-000000 PLATE 100
- 100244-50-000000 PLATE 100
- 100244-51-000000 PLATE 100
- 100244-52-000000 PLATE 100
- 100244-53-000000 PLATE 100
- 100244-54-000000 PLATE 100
- 100244-55-000000 PLATE 100
- 100244-56-000000 PLATE 100
- 100244-57-000000 PLATE 100
- 100244-58-000000 PLATE 100
- 100244-59-000000 PLATE 100
- 100244-60-000000 PLATE 100
- 100244-61-000000 PLATE 100
- 100244-62-000000 PLATE 100
- 100244-63-000000 PLATE 100
- 100244-64-000000 PLATE 100
- 100244-65-000000 PLATE 100
- 100244-66-000000 PLATE 100
- 100244-67-000000 PLATE 100
- 100244-68-000000 PLATE 100
- 100244-69-000000 PLATE 100
- 100244-70-000000 PLATE 100
- 100244-71-000000 PLATE 100
- 100244-72-000000 PLATE 100
- 100244-73-000000 PLATE 100
- 100244-74-000000 PLATE 100
- 100244-75-000000 PLATE 100
- 100244-76-000000 PLATE 100
- 100244-77-000000 PLATE 100
- 100244-78-000000 PLATE 100
- 100244-79-000000 PLATE 100
- 100244-80-000000 PLATE 100
- 100244-81-000000 PLATE 100
- 100244-82-000000 PLATE 100
- 100244-83-000000 PLATE 100
- 100244-84-000000 PLATE 100
- 100244-85-000000 PLATE 100
- 100244-86-000000 PLATE 100
- 100244-87-000000 PLATE 100
- 100244-88-000000 PLATE 100
- 100244-89-000000 PLATE 100
- 100244-90-000000 PLATE 100
- 100244-91-000000 PLATE 100
- 100244-92-000000 PLATE 100
- 100244-93-000000 PLATE 100
- 100244-94-000000 PLATE 100
- 100244-95-000000 PLATE 100
- 100244-96-000000 PLATE 100
- 100244-97-000000 PLATE 100
- 100244-98-000000 PLATE 100
- 100244-99-000000 PLATE 100
- 100244-100-000000 PLATE 100



# Model Steam Engine Plans For Everything

**John T. Henthorn, Charles D. Thurber**



## **Model Steam Engine Plans For Everything:**

*Wonderful Models* Percival Marshall,1928    *Motorboating - ND* ,1928-07    *Popular Mechanics* ,1948-05 Popular Mechanics inspires instructs and influences readers to help them master the modern world Whether it s practical DIY home improvement tips gadgets and digital technology information on the newest cars or the latest breakthroughs in science PM is the ultimate guide to our high tech lifestyle    **Popular Science** ,1950-08 Popular Science gives our readers the information and tools to improve their technology and their world The core belief that Popular Science and our readers share The future is going to be better and science and technology are the driving forces that will help make it better    **Popular Science** ,1973-05 Popular Science gives our readers the information and tools to improve their technology and their world The core belief that Popular Science and our readers share The future is going to be better and science and technology are the driving forces that will help make it better    *The Corliss Engine* John T. Henthorn,Charles D. Thurber,1900

**Popular Mechanics** ,1953-10 Popular Mechanics inspires instructs and influences readers to help them master the modern world Whether it s practical DIY home improvement tips gadgets and digital technology information on the newest cars or the latest breakthroughs in science PM is the ultimate guide to our high tech lifestyle    *Popular Science* ,1975-01 Popular Science gives our readers the information and tools to improve their technology and their world The core belief that Popular Science and our readers share The future is going to be better and science and technology are the driving forces that will help make it better    **Model Railroader** ,1939    *Irish Engineering* ,1923    *Popular Science* ,1947-06 Popular Science gives our readers the information and tools to improve their technology and their world The core belief that Popular Science and our readers share The future is going to be better and science and technology are the driving forces that will help make it better    *Popular Mechanics* ,1947-11 Popular Mechanics inspires instructs and influences readers to help them master the modern world Whether it s practical DIY home improvement tips gadgets and digital technology information on the newest cars or the latest breakthroughs in science PM is the ultimate guide to our high tech lifestyle    *Mechanical World* ,1922    *Popular Mechanics* ,1963-11 Popular Mechanics inspires instructs and influences readers to help them master the modern world Whether it s practical DIY home improvement tips gadgets and digital technology information on the newest cars or the latest breakthroughs in science PM is the ultimate guide to our high tech lifestyle    *Popular Mechanics Magazine* ,1914    *Science and Invention* ,1929    **Railway Review** ,1920    *The Railway and Engineering Review* ,1920    *The United Service* ,1894    *The Model Engineer and Amateur Electrician* ,1902

Immerse yourself in heartwarming tales of love and emotion with Crafted by is touching creation, **Model Steam Engine Plans For Everything** . This emotionally charged ebook, available for download in a PDF format ( PDF Size: \*), is a celebration of love in all its forms. Download now and let the warmth of these stories envelop your heart.

<https://py.bijouxmedusa.com/results/scholarship/default.aspx/states%2082%20447%20seo%20strategy%20explained%20for%20entrepreneurs%2082%202486%20seo.pdf>

## **Table of Contents Model Steam Engine Plans For Everything**

1. Understanding the eBook Model Steam Engine Plans For Everything
  - The Rise of Digital Reading Model Steam Engine Plans For Everything
  - Advantages of eBooks Over Traditional Books
2. Identifying Model Steam Engine Plans For Everything
  - Exploring Different Genres
  - Considering Fiction vs. Non-Fiction
  - Determining Your Reading Goals
3. Choosing the Right eBook Platform
  - Popular eBook Platforms
  - Features to Look for in an Model Steam Engine Plans For Everything
  - User-Friendly Interface
4. Exploring eBook Recommendations from Model Steam Engine Plans For Everything
  - Personalized Recommendations
  - Model Steam Engine Plans For Everything User Reviews and Ratings
  - Model Steam Engine Plans For Everything and Bestseller Lists
5. Accessing Model Steam Engine Plans For Everything Free and Paid eBooks
  - Model Steam Engine Plans For Everything Public Domain eBooks
  - Model Steam Engine Plans For Everything eBook Subscription Services
  - Model Steam Engine Plans For Everything Budget-Friendly Options

6. Navigating Model Steam Engine Plans For Everything eBook Formats
  - ePub, PDF, MOBI, and More
  - Model Steam Engine Plans For Everything Compatibility with Devices
  - Model Steam Engine Plans For Everything Enhanced eBook Features
7. Enhancing Your Reading Experience
  - Adjustable Fonts and Text Sizes of Model Steam Engine Plans For Everything
  - Highlighting and Note-Taking Model Steam Engine Plans For Everything
  - Interactive Elements Model Steam Engine Plans For Everything
8. Staying Engaged with Model Steam Engine Plans For Everything
  - Joining Online Reading Communities
  - Participating in Virtual Book Clubs
  - Following Authors and Publishers Model Steam Engine Plans For Everything
9. Balancing eBooks and Physical Books Model Steam Engine Plans For Everything
  - Benefits of a Digital Library
  - Creating a Diverse Reading Collection Model Steam Engine Plans For Everything
10. Overcoming Reading Challenges
  - Dealing with Digital Eye Strain
  - Minimizing Distractions
  - Managing Screen Time
11. Cultivating a Reading Routine Model Steam Engine Plans For Everything
  - Setting Reading Goals Model Steam Engine Plans For Everything
  - Carving Out Dedicated Reading Time
12. Sourcing Reliable Information of Model Steam Engine Plans For Everything
  - Fact-Checking eBook Content of Model Steam Engine Plans For Everything
  - Distinguishing Credible Sources
13. Promoting Lifelong Learning
  - Utilizing eBooks for Skill Development
  - Exploring Educational eBooks
14. Embracing eBook Trends
  - Integration of Multimedia Elements

- Interactive and Gamified eBooks

## **Model Steam Engine Plans For Everything Introduction**

In the digital age, access to information has become easier than ever before. The ability to download Model Steam Engine Plans For Everything has revolutionized the way we consume written content. Whether you are a student looking for course material, an avid reader searching for your next favorite book, or a professional seeking research papers, the option to download Model Steam Engine Plans For Everything has opened up a world of possibilities. Downloading Model Steam Engine Plans For Everything provides numerous advantages over physical copies of books and documents. Firstly, it is incredibly convenient. Gone are the days of carrying around heavy textbooks or bulky folders filled with papers. With the click of a button, you can gain immediate access to valuable resources on any device. This convenience allows for efficient studying, researching, and reading on the go. Moreover, the cost-effective nature of downloading Model Steam Engine Plans For Everything has democratized knowledge. Traditional books and academic journals can be expensive, making it difficult for individuals with limited financial resources to access information. By offering free PDF downloads, publishers and authors are enabling a wider audience to benefit from their work. This inclusivity promotes equal opportunities for learning and personal growth. There are numerous websites and platforms where individuals can download Model Steam Engine Plans For Everything. These websites range from academic databases offering research papers and journals to online libraries with an expansive collection of books from various genres. Many authors and publishers also upload their work to specific websites, granting readers access to their content without any charge. These platforms not only provide access to existing literature but also serve as an excellent platform for undiscovered authors to share their work with the world. However, it is essential to be cautious while downloading Model Steam Engine Plans For Everything. Some websites may offer pirated or illegally obtained copies of copyrighted material. Engaging in such activities not only violates copyright laws but also undermines the efforts of authors, publishers, and researchers. To ensure ethical downloading, it is advisable to utilize reputable websites that prioritize the legal distribution of content. When downloading Model Steam Engine Plans For Everything, users should also consider the potential security risks associated with online platforms. Malicious actors may exploit vulnerabilities in unprotected websites to distribute malware or steal personal information. To protect themselves, individuals should ensure their devices have reliable antivirus software installed and validate the legitimacy of the websites they are downloading from. In conclusion, the ability to download Model Steam Engine Plans For Everything has transformed the way we access information. With the convenience, cost-effectiveness, and accessibility it offers, free PDF downloads have become a popular choice for students, researchers, and book lovers worldwide. However, it is crucial to engage in ethical downloading practices and prioritize personal security when utilizing online platforms. By doing so, individuals can make the

most of the vast array of free PDF resources available and embark on a journey of continuous learning and intellectual growth.

## **FAQs About Model Steam Engine Plans For Everything Books**

1. Where can I buy Model Steam Engine Plans For Everything books? Bookstores: Physical bookstores like Barnes & Noble, Waterstones, and independent local stores. Online Retailers: Amazon, Book Depository, and various online bookstores offer a wide range of books in physical and digital formats.
2. What are the different book formats available? Hardcover: Sturdy and durable, usually more expensive. Paperback: Cheaper, lighter, and more portable than hardcovers. E-books: Digital books available for e-readers like Kindle or software like Apple Books, Kindle, and Google Play Books.
3. How do I choose a Model Steam Engine Plans For Everything book to read? Genres: Consider the genre you enjoy (fiction, non-fiction, mystery, sci-fi, etc.). Recommendations: Ask friends, join book clubs, or explore online reviews and recommendations. Author: If you like a particular author, you might enjoy more of their work.
4. How do I take care of Model Steam Engine Plans For Everything books? Storage: Keep them away from direct sunlight and in a dry environment. Handling: Avoid folding pages, use bookmarks, and handle them with clean hands. Cleaning: Gently dust the covers and pages occasionally.
5. Can I borrow books without buying them? Public Libraries: Local libraries offer a wide range of books for borrowing. Book Swaps: Community book exchanges or online platforms where people exchange books.
6. How can I track my reading progress or manage my book collection? Book Tracking Apps: Goodreads, LibraryThing, and Book Catalogue are popular apps for tracking your reading progress and managing book collections. Spreadsheets: You can create your own spreadsheet to track books read, ratings, and other details.
7. What are Model Steam Engine Plans For Everything audiobooks, and where can I find them? Audiobooks: Audio recordings of books, perfect for listening while commuting or multitasking. Platforms: Audible, LibriVox, and Google Play Books offer a wide selection of audiobooks.
8. How do I support authors or the book industry? Buy Books: Purchase books from authors or independent bookstores. Reviews: Leave reviews on platforms like Goodreads or Amazon. Promotion: Share your favorite books on social media or recommend them to friends.
9. Are there book clubs or reading communities I can join? Local Clubs: Check for local book clubs in libraries or

community centers. Online Communities: Platforms like Goodreads have virtual book clubs and discussion groups.

10. Can I read Model Steam Engine Plans For Everything books for free? Public Domain Books: Many classic books are available for free as they're in the public domain. Free E-books: Some websites offer free e-books legally, like Project Gutenberg or Open Library.

### **Find Model Steam Engine Plans For Everything :**

[States 82-447 SEO strategy explained for entrepreneurs 82-2486 SEO](#)

[step for startups 82-2980 smart home tech strategies for entrepreneurs](#)

**82-2603 credit score improvement guide for entrepreneurs 82-578 credit**

[America 82-1917 crypto investing comparison America 82-264 crypto](#)

[marketing comparison United States 82-2149 TikTok marketing comparison](#)

[trading guide USA 82-2911 crypto trading guide for creators 82-1142](#)

[step for entrepreneurs 82-898 VPN services step by step for small](#)

**personal finance review United States 82-439 personal finance review for**

[small business 82-622 remote jobs tutorial for startups 82-1727 remote](#)

[science careers roadmap United States 82-1655 data science careers](#)

[strategies USA 82-2959 data science careers strategies USA 82-933 data](#)

[YouTube growth software United States 82-518 YouTube growth software for](#)

[routines examples United States 82-1772 fitness routines examples United](#)

[82-244 Instagram growth ideas for startups 82-1126 Instagram growth](#)

**States 82-304 minimalist lifestyle software United States 82-711**

### **Model Steam Engine Plans For Everything :**

[montfort sne collage 2013 intake pdf wrbb neu - May 31 2022](#)

web of this montfort sne collage 2013 intake can be taken as well as picked to act montfort sne collage 2013 intake 2022 06 01 rivers tessa building communities routledge

**montfort sne collage 2013 intake pdf pdf gccca eu - Aug 14 2023**

web mar 24 2023 this montfort sne collage 2013 intake pdf as one of the most on the go sellers here will totally be in the course of the best options to review education equality

*montfort sne collage 2013 intake pdf copy* - Apr 10 2023

web acquire those all we present montfort sne collage 2013 intake pdf and numerous books collections from fictions to scientific research in any way in the middle of them is this

*montfort sne collage 2013 intake pdf pdf prelaunch schuilcoffee* - Sep 03 2022

web montfort sne collage 2013 intake pdf introduction montfort sne collage 2013 intake pdf pdf the african regional human rights system manisuli ssenyonjo 2011

montfort - Nov 24 2021

web st montfort s sr sec school kolkata affiliated to cbse new delhi affiliation number 2430233

**montfort college montfort college instagram photos and videos** - Jan 27 2022

web 1 000 followers 1 following 388 posts see instagram photos and videos from montfort college montfort college

montfort college sampurna montfort college bangalore - Dec 26 2021

web mar 22 2021 welcome to montfort college our community is being called to reimagine the future as the only university where a renowned design school comes together with

malawi s special needs education sne perspectives and - Jan 07 2023

web in 1996 the college included a third specialization program in learning difficulties itimu kopetz 2008 montfort sne college 2005 consistent with the global trends malawi

montfort sne college facebook - Dec 06 2022

web montfort sne college 587 likes montfort special needs education college is the only education institution in malawi that trains alr

**montfort sne collage 2013 intake pdf portal dlc ui edu** - Feb 08 2023

web montfort sne collage 2013 intake eventually you will unconditionally discover a additional experience and finishing by spending more cash yet when accomplish you resign

montfort sne 2014 intake jetpack theaoi - Feb 25 2022

web the march intake news from malawi 1 montfort sne college we renovated and first used to accommodate brothers who attended con con 2014 on august montfort sne

montfort sne collage 2013 intake pdf full pdf status restek wwu - Jun 12 2023

web montfort sne collage 2013 intake pdf introduction montfort sne collage 2013 intake pdf full pdf title montfort sne collage 2013 intake pdf full pdf

**montfort sne collage 2013 intake blog biletinial com** - Mar 29 2022

web aug 4 2023 montfort sne collage 2013 intake catapult science elusya de golf and the world laughs at you bjerld de loves

cure archive cx june 22nd 2018 bank for

**montfort sne college 2014 student teachers intake uniport edu** - Oct 24 2021

web feb 22 2023 info acquire the montfort sne college 2014 student teachers intake join that we have the funds for here and check out the link you could purchase lead

**montfort sne collage 2013 intake myhome seedsofinnocence** - Jul 01 2022

web montfort sne collage 2013 intake is universally compatible following any devices to read montfort sne collage 2013 intake 2021 04 11 kylee myla the sava river niace

montfort sne college 2014 intake results oecd download only - Apr 29 2022

web montfort sne college 2014 intake results connect that we offer here and check out the link you could buy guide montfort sne college 2014 intake results or get it as soon as

*montfort sne collage 2013 intake wrbb neu* - May 11 2023

web montfort sne collage 2013 intake is reachable in our digital library an online access to it is set as public therefore you can download it instantly our digital library saves in multiple

montfort sne collage 2013 intake pdf pdf - Oct 04 2022

web montfort sne collage 2013 intake pdf recognizing the exaggeration ways to get this books montfort sne collage 2013 intake pdf is additionally useful you have remained

**montfort sne college 2014 intake results uniport edu** - Sep 22 2021

web aug 4 2023 montfort sne college 2014 intake results 1 9 downloaded from uniport edu ng on august 4 2023 by guest montfort sne college 2014 intake results

*montfort sne college 2014 student teachers intake pdf copy* - Aug 02 2022

web mar 20 2023 montfort sne college 2014 student teachers intake pdf is available in our book collection an online access to it is set as public so you can download it instantly

montfort s n e college facebook - Nov 05 2022

web montfort s n e college 4 356 likes 5 talking about this montfort s n e college is an institution of higher learning in malawi we provide teacher education in special needs

*montfort sne collage 2013 intake book domainlookup org* - Jul 13 2023

web mar 19 2023 montfort sne collage 2013 intake this is likewise one of the factors by obtaining the soft documents of this montfort sne collage 2013 intake by online you

**montfort sne collage 2013 intake pdf** - Mar 09 2023

web 2013 intake in some sort of inundated with screens and the cacophony of instantaneous conversation the profound

energy and mental resonance of verbal art often diminish into

**second edition face2face cambridge university press** - Aug 26 2022

web isbn 978 1 107 60353 0 pre intermediate workbook with key answer key and audio scripts p237 progress test 1 p241 progress test 2 p242 p243 face2face is a general english course for second edition adults and young adults who

**face2face student s edition cambridge university press** - Dec 30 2022

web student s edition click on the images below to access sample units from the face2face second edition student s books starter student s book elementary student s book pre intermediate student s book intermediate student s book upper intermediate student s book advanced student s book

face2face advanced workbook with key pages 1 9 fliphtml5 - Aug 06 2023

web may 19 2022 check pages 1 9 of face2face advanced workbook with key in the flip pdf version face2face advanced workbook with key was published by Клет България on 2022 05 19 find more similar flip pdfs like face2face advanced workbook with key

face2face advanced workbook answer key answers for 2023 - Oct 08 2023

web download face2face advanced workbook answer key filename speed downloads face2face advanced workbook answer key most popular 5754 kb s 2433 face2face advanced workbook answer key checked 4198 kb s 7755 face2face advanced workbook answer key added by request 4494 kb s 4844 face2face advanced

*face 2 face second edition workbook cevapları* - Sep 26 2022

web cevapla tüm forumlar eğitim ve sınavlar yabancı diller ve dil eğitimi İngilizce face 2 face second edition workbook cevapları donanımlar forum sayfa 1

**second edition face2face cambridge university press** - Jan 31 2023

web 978 1 107 69096 7 face2face advanced theresa clementson with gillie cunningham and jan bell frontmatter isbn 978 1 107 62185 5 advanced workbook without key answer key and audio scripts p208 progress test 1 p212 progress test 2 p214

*face2face advanced workbook with key englishbooks cz* - Apr 21 2022

web it goes from starter level through to advanced the workbook offers additional practice for students of face2face advanced as well as providing self study exercises to practise all the language taught in the student s book it also includes a 30 page reading and writing portfolio linked to the cef and a list of can do statements that

face2face 2nd edition full set of 6 levels free download - Oct 28 2022

web sep 10 2023 english course books general english last updated sep 10 2023 face2face student s book 2nd edition full level pdf free download face2face 2nd edition full set of 6 levels starter elementary pre intermediate intermediate upper intermediate advanced source polcet the best english center in hanoi vietnam

[cambridge university press assessment adult young adult](#) - May 23 2022

web face2face face2face second edition is the flexible easy to teach 6 level course a1 to c1 for busy teachers who want to get their adult and young adult learners to communicate with confidence chris redston gillie cunningham

**pdf face2face advanced workbook free download pdf** - Nov 28 2022

web face2face advanced workbook click the start the download download pdf report this file description download face2face advanced workbook free in pdf format account 40 77 167 63 we will try to respond as soon as possible your name email reason description close submit designed and built with by erik fong licensed

**face 2 face advanced progress test answer keys amazon** - Feb 17 2022

web jun 18 2020 face2face advanced workbook with answer key progress tests a unit 2 grammar 1 1 was walking 2 facing global progress test 1 unit 1 f solutions pre intermediate student s book unit 2 listening part audio cd rom progress tests b answer keys unit 1 progress test b grammar 1 1

**formats and editions of face2face advanced workbook with key** - Jun 23 2022

web face2face advanced workbook with key 1 face2face advanced workbook with key by nicholas tims print book english 2013 cambridge university press 2 face2face advanced workbook with key 2 face2face advanced workbook with key by nicholas tims jan bell gillie cunningham print book

**face2face advanced workbook with key kağıt kapak** - Jul 25 2022

web arama yapmak istediğiniz kategoriye seçin

**face2face advanced workbook pdf pdf scribd** - Sep 07 2023

web face2face advanced workbook pdf free download as pdf file pdf or read online for free

**pdf face2face elementary wb key academia edu** - Mar 21 2022

web download pdf see full pdf download pdf face2face elementary workbook answer key welcome to the class 2 2 police officer 3 doctor 3 2 that 3 that 4 this 5 that 6 these 1 2 my 3 hi 4 i m 5 meet 6 nice 4 unemployed 5 builder 6 musician 7 those 8 that 7 too 8 goodbye bye 9 see 7 waitress 8 teacher 9 cleaner 4 3 4 5 turkey 6 high street

*face2face advanced workbook with key google books* - May 03 2023

web sep 26 2013 the advanced workbook with key is ideal for self study offering additional consolidation activities and a reading and writing portfolio for extra skills practice a list of can do

[face2face advanced workbook with answer key sciarium](#) - Apr 02 2023

web feb 11 2022 the advanced workbook with key is ideal for self study offering additional consolidation activities and a reading and writing portfolio for extra skills practice a list of can do statements helps students to track their progress in reading and writing and the pull out answer key gives added flexibility

**face 2 face Intermediate answer key pdfs** - Jul 05 2023

web face2face intermediate answer key pdf may not make exciting reading but face2face intermediate answer key is packed with valuable instructions information and warnings we also have many ebooks and user guide is also related with face2face intermediate answer key pdf include florida

**download pdf face2face advanced workbook 2nv8rq5z1olk** - Jun 04 2023

web download face2face advanced workbook type pdf date september 2020 size 29 8mb author jonathan pérez this document was uploaded by user and they confirmed that they have the permission to share it if you are author or own the copyright of this book please report to us by using this dmca report form report dmca

**face2face b1 workbook answers keys pdf scribd** - Mar 01 2023

web john le carré face2face b1 workbook answers keys 1 read online for free answers keys

**saxon math intermediate 3 answer key pdf free download** - Sep 07 2023

web transcription 1 intermediate 3 answer key free pdf ebook download intermediate 3 answer key download or read online ebook saxon math intermediate 3 answer key in pdf format from the best user guide database math

**saxon 3 intermediate worksheets lesson worksheets** - Jun 04 2023

web displaying all worksheets related to saxon 3 intermediate worksheets are whats the difference between saxon math 3 saxon math 54 there is a structure behind every high saxon math intermediate 3 complete kit saxon intermediate 3 homeschool testing book saxon math 3 class description name mixed practice solutions show all necessary work

**answer sheets for saxon math intermediate 3 pdf uniport edu** - Apr 21 2022

web oct 9 2023 merely said the answer sheets for saxon math intermediate 3 is universally compatible with any devices to read saxon math intermediate 3 stephen douglas hake 2011 05 04 written by stephen hake author of the saxon middle grades programs saxon intermediate 3 is ideal for students looking for a textbook

**saxon math intermediate 3 student edition 2008 quizlet** - Jul 05 2023

web saxon math intermediate 3 student edition 2008 9781600325342 solutions and answers quizlet find step by step solutions and answers to saxon math intermediate 3 student edition 2008 9781600325342 as well as thousands of textbooks so you can move forward with confidence home

**saxon math intermediate 3 answers resources lumos learning** - Oct 08 2023

web use the table below to find videos mobile apps worksheets and lessons that supplement saxon math intermediate 3 saxon math intermediate 3 grade 3 workbook answers help online grade 3 title saxon math intermediate 3 publisher houghton mifflin harcourt isbn 1600325343

**saxon 3 intermediate worksheets learny kids** - Sep 26 2022

web displaying top 8 worksheets found for saxon 3 intermediate some of the worksheets for this concept are whats the difference between saxon math 3 saxon math 54 there is a structure behind every high saxon math intermediate 3 complete kit saxon intermediate 3 homeschool testing book saxon math 3 class description name mixed practice

**saxon math 3 course assessment worksheets kiddy math** - Mar 01 2023

web saxon math 3 course assessment displaying top 8 worksheets found for this concept some of the worksheets for this concept are saxon math intermediate 3 assessment guide saxon math intermediate 3 assessment guide saxon math homework answer course 3 saxon math intermediate 3 assessment guide saxon math homework

answer sheets for saxon math intermediate 3 opensource - Jul 25 2022

web right here we have countless ebook answer sheets for saxon math intermediate 3 and collections to check out we additionally meet the expense of variant types and as a consequence type of the books to browse

**saxon math course 3 1st edition solutions and answers quizlet** - Apr 02 2023

web algebra pre algebra saxon math course 3 1st edition isbn 9781591418849 hake textbook solutions verified chapter 1 investigation 1 section 1 number line comparing and ordering integers section 2 operations of arithmetic section 3 addition and subtraction word problems section 4 multiplication and division word problems section 5

**answer sheets for saxon math intermediate 3 pdf** - Jun 23 2022

web answer sheets for saxon math intermediate 3 pdf webjul 4 2023 author of the saxon middle grades programs saxon intermediate 3 is ideal for students looking for a textbook approach that provides a smooth transistion into math 5 4 *saxon math intermediate series cathyduffyreviews com* - Oct 28 2022

web mar 1 2016 saxon math already has a series of books for kindergarten through third grade and another series that begins with math 5 4 for fourth grade and continues up through calculus so why this intermediate series for grades three four and five for third grade at least part of the answer lies in the differences between the saxon math

*saxon math intermediate 3 worksheets learny kids* - Dec 30 2022

web some of the worksheets for this concept are name mixed practice solutions show all necessary work lesson 11 place value whats the difference between saxon math 3 saxon math 54 saxon math intermediate 3 2012 correlated to the common saxon math intermediate grade 3 lesson 21 naming dollars and cents exchanging dollars name

*answer sheets for saxon math intermediate 3 pdf* - Nov 28 2022

web currently this answer sheets for saxon math intermediate 3 as one of the most operating sellers here will unquestionably be in the midst of the best options to review saxon math 6 5 stephen hake 2019 08 30 saxon math intermediate grd 5 saxon publishers 2013 06 10 resources in education 1991 11 algebra 1 john h saxon

**saxon math intermediate 3 solutions manual saxon publishers** - Jan 31 2023

web intermediate 3 can be used in lieu of the traditional saxon math 3 and covers the same topics addition subtraction facts fractions probability estimating calculating area multiplication and division facts dividing two digit numbers multiplying three numbers arrays congruent shapes capacity polygons classifying angles adding

*saxon math intermediate 3 answer key free pdf download* - Aug 06 2023

web apr 26 2023 if you are looking for the saxon math intermediate 3 answer key you ve come to the right place download the answer key pdf for free

*saxon math intermediate 3 hake stephen archive org* - May 03 2023

web intermediate 3 hake stephen free download borrow and streaming internet archive saxon math intermediate 3 by hake stephen publication date 2012 topics mathematics study and teaching elementary mathematics

**answer sheets for saxon math intermediate 3 download only** - May 23 2022

web right here we have countless books answer sheets for saxon math intermediate 3 and collections to check out we additionally have enough money variant types and along with type of the books to browse the satisfactory book fiction history novel scientific research as skillfully as various supplementary

*intermediate 3 nicole the math lady* - Aug 26 2022

web intermediate 3 has 110 lessons and 11 investigations cheat sheets can be found on the materials tab above the following investigations do not have videos as these are hands on lessons that students need to do on their own 2 3 5 6

[answer sheets for saxon math intermediate 3 2023 mail](#) - Mar 21 2022

web 10 answer sheets for saxon math intermediate 3 2023 07 27 saxon math answer sheet keywords saxon math answer sheet saxon math answer squares my husband provides this to mixed practice solutions show all necessary work please be neat date name lesson 1 4 7 13 10 2 5 8 14 11 3 6 9 15 12 saxon

**answer sheets for saxon math intermediate 3** - Feb 17 2022

web saxon intermediate 3 is ideal for students looking for a textbook approach that provides a smooth transistion into math 5 4 it is also helpful for students who are coming to saxon from other programs math intermediate 3 teaches mathematical concepts through informative lessons helpful diagrams and interactive activities and investigations