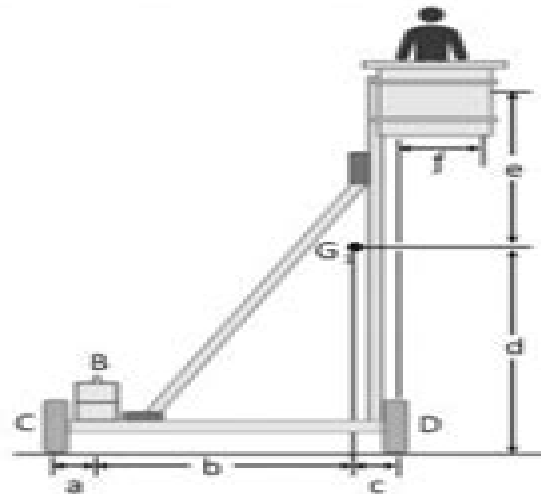


1. The platform assembly shown in the figure has a weight $W_1 = 1\text{kN}$ and center of gravity at G_1 . If it is intended to support a maximum load $W_2 = 1.6\text{kN}$ a placed at point G_2 . Determine the smallest counterweight W that should be placed at B in order to prevent the platform from tipping over. Take $a = 0.5\text{m}$, $b = 3\text{m}$, $c = 0.5\text{m}$, $d = 4\text{m}$, $e = 3\text{m}$ and $f = 1\text{m}$



- A. $W = 159\text{ N}$ upwards
 B. $W = 653\text{ N}$ upwards
 C. $W = 357\text{ N}$ downwards
 D. $W = 314\text{ N}$ downwards
 E. $W = 592\text{ N}$ downwards

Solution

The correct answer is **D**.

The platform assembly shown in the figure has a weight $W_1 = 1\text{kN}$ and center of gravity at G_1 . If it is intended to support a maximum load $W_2 = 1.6\text{kN}$ a placed at point G_2 , determine the smallest counterweight W that should be placed at B in order to prevent the platform from tipping over.

Take $a = 0.5\text{m}$, $b = 3\text{m}$, $c = 0.5\text{m}$, $d = 4\text{m}$, $e = 3\text{m}$ and $f = 1\text{m}$

Fe Engineering Exam Examples

Donovan Young



Fe Engineering Exam Examples:

FE/EIT Sample Examinations Michael R. Lindeburg, 1999 Designed to prepare you for the FE exam FE EIT Sample Examinations simulates the actual FE exam in every aspect from the format and level of difficulty to the number of problems and the distribution of problems across exam topics The most realistic practice for the FE exam 2 complete sample exams 120 morning and 60 general afternoon problems on each exam Multiple choice format just like the exam with solutions Increase your comfort level of solving problems in SI units Mentally prepare for the pressure of working under timed conditions Fundamentals of Engineering Examination Review 2001-2002 Edition Donald G. Newnan, 2004 Perfect for anyone students or engineers preparing for the FE exam Endorsed by a former Director of Exams from the NCEES Describes exam structure exam day strategies exam scoring and passing rate statistics All problems in SI units in line with the new exam format Covers all the topics on the FE exam carefully matching exam structure Mathematics Statics Dynamics Mechanics of Materials Fluid Mechanics Thermodynamics Electrical Circuits Materials Engineering Chemistry Computers Ethics and Engineering Economy Each chapter is written by an expert in the field contains a thorough review of the topic as covered on the test and ends with practice problems and detailed solutions Includes a complete eight hour sample exam with 120 morning AM questions 60 general afternoon PM questions and complete step by step solutions to all problems 918 problems total 60% text 40% problems and solutions **The Best Test Preparation & Review Course FE/EIT**

Fundamentals of Engineering/engineering-in-training John Presti, George Wetzell, James Colaizzi, 1999 This test prep book includes two full length practice tests with explanations for every answer Detailed review chapters provide sample problems and solutions as well as an overview of the test subjects Designed to assess students knowledge of engineering subjects ranging from chemistry to thermodynamics A thorough preparation for students taking the FE PM General exam

PPI FE Review Manual: Rapid Preparation for the Fundamentals of Engineering Exam, 3rd Edition eText - 1 Year Michael R. Lindeburg, 2010-10-21 Michael R Lindeburg PE s FE Review Manual 3rd Edition FE Review Manual offers a complete review for the FE exam This book is part of a comprehensive learning management system designed to help you pass the FE exam the first time This book includes equations figures and tables from the NCEES FE Reference Handbook to familiarize you with the reference you ll have on exam day 13 diagnostic exams to assess your grasp of knowledge areas covered in each chapter concise explanations supported by exam like example problems with step by step solutions to reinforce the theory and application of fundamental concepts access to a fully customizable study schedule to keep your studies on track a robust index with thousands of terms to facilitate referencing Topics Covered Computational Tools Dynamics Kinematics and Vibrations Electricity and Magnetism Engineering Economics Ethics and Professional Practice Fluid Mechanics Heat Transfer Material Properties and Processing Mathematics Materials Measurement Instrumentation and Controls Mechanical Design and Analysis Mechanics of Materials Probability and Statistics Statics Thermodynamics

EIT Industrial Review Donovan Young,2003-09-18 This guide is written for the afternoon FE EIT Industrial Exam and reviews each topic with numerous example problems and complete step by step solutions End of chapter problems with solutions and a complete sample exam with solutions are provided Topics covered Production Planning and Scheduling Engineering Economics Engineering Statistics Statistical Quality Control Manufacturing Processes Mathematical Optimization and Modeling Simulation Facility Design and Location Work Performance and Methods Manufacturing Systems Design Industrial Ergonomics Industrial Cost Analysis Material Handling System Design Total Quality Management Computer Computations and Modeling Queuing Theory and Modeling Design of Industrial Experiments Industrial Management Information System Design Productivity Measurement and Management 101 problems with complete solutions SI Units

Fe Exam Flashcard Study System ,2010 **The Best Test Preparation & Review Course FE/EIT Fundamentals of Engineering/engineer-in-training** Clyde Granger,Michael Riordan,James Colaizzi,2000 This thorough study guide provides comprehensive review material and practice questions specific to chemical engineering Two full length practice tests are designed to prepare students for the FE PM exam in chemical engineering Detailed explanations to every question are included Topics covered include heat transfer chemical thermodynamics and more [Study Guide](#).

[Fundamentals of Engineering Economics](#) Chan S. Park,2004 Includes more than 200 completely worked out solutions and sample FE exam test questions [The Best Test Preparation for the Fundamentals of Engineering Examination](#) Research and Education Association,1991 **Industrial Discipline-specific Review for the FE/EIT Exam** ,1998 The FE exam the first in the two part engineering licensing process is taken typically by upper level students or recent graduates in April or October This eight hour exam is closed book except for a handout provided in the examination room The exam is divided into morning and afternoon sessions The morning exam with 120 multiple choice problems is the same for everyone In the afternoon examinees must choose to take a discipline specific DS or a general exam each with 60 multiple choice problems The Discipline Specific Reviews are used to study for the afternoon DS exams **Fundamentals of Engineering** Merle C. Potter,1999 [Fe Exam Secrets Study Guide](#) Fe Exam Secrets Test Prep Team,2015-02-25 FTCE Agriculture 6 12 Flashcard Study System uses repetitive methods of study to teach you how to break apart and quickly solve difficult test questions on the Florida Teacher Certification Examinations Study after study has shown that spaced repetition is the most effective form of learning and nothing beats flashcards when it comes to making repetitive learning fun and fast Our flashcards enable you to study small digestible bits of information that are easy to learn and give you exposure to the different question types and concepts FTCE Agriculture 6 12 Flashcard Study System covers all of the most important topics that you ll need to know to be successful on test day [Fundamentals of Engineering](#) ,2005 **Contemporary Engineering Economics** Chan S. Park,2011 Contemporary Engineering Economics 5 e is intended for undergraduate engineering students taking introductory engineering economics while appealing to the full range of engineering disciplines for which this course is often required

industrial civil mechanical electrical computer aerospace chemical and manufacturing engineering as well as engineering technology This edition has been thoroughly revised and updated while continuing to adopt a contemporary approach to the subject and teaching of engineering economics This text aims not only to build a sound and comprehensive coverage of engineering economics but also to address key educational challenges such as student difficulty in developing the analytical skills required to make informed financial decisions

Fundamentals of Engineering FE Civil All-in-One Exam Guide
Indranil Goswami,2018-03-23 This highly effective study guide offers 100% coverage of every subject on the FE Civil exam This self study resource contains all of the information you need to prepare for and pass the challenging FE Civil exam on the first try The book features clear explanations of every topic on the exam as well as hands on exam strategies and accurate practice problems with fully worked solutions Organized to follow the order of the official exam syllabus the book includes references to the official FE Reference Handbook along with tips on how to utilize that resource during the exam itself Written by a leading civil engineering educator and exam coach Fundamentals of Engineering FE Civil All in One Exam Guide helps you pass the exam with ease Contains complete coverage of all objectives for the FE Civil exam Follows the exact order of the official exam syllabus Written by an experienced educator and researcher

Fundamentals of Engineering Supplied-reference Handbook National Council of Examiners for Engineering and Surveying,2008

Engineering Economy Leland T. Blank,Anthony Tarquin,2005 Distinguishing pedagogical characteristics of this market leading text include its easy to read writing style chapter objectives worked examples integrated spreadsheets case studies Fundamentals of Engineering FE exam questions and numerous new end of chapter problems Graphical cross referencing is indicated so users are able to locate additional material on any one subject in the text Quick solve Q Solv and Excel solve E Solve icons found in the text indicate the difficulty of a problem example or spreadsheet pub desc

FE Exam Review Myron E. Sveum,2006 Many examinees find the electrical and computer engineering sections of the general FE exam to be most the most challenging Now you can get the extra review and practice you need to meet this challenge through a concise review of the electrical and computer topics covered on the general morning and afternoon FE exams Supplement your electrical and computer engineering knowledge Over 100 multiple choice problems with solutions just like the exam Over 150 solved example problems Over 225 key charts graphs tables and figures Improve your confidence and problem solving skills

Since 1975 more than 2 million people preparing for their engineering surveying architecture LEED interior design and landscape architecture exams have entrusted their exam prep to PPI For more information visit us at www.ppi2pass.com

Ppi Fe Civil Exams--Five Full Practice Exams with Step-By-Step Solutions Mohammad Iqbal,Ali Iqbal,2021-03-22 The new FE Civil Exams book includes five full practice exams containing 550 problems designed to reinforce your understanding of civil engineering concepts and equations found in the NCEES FE Reference Handbook Solutions are provided for all problems so you can review problem solving methods Also included is a detailed appendix to

help you find each solution s related equations and engineering concepts in the NCEES Handbook Features Include Provides
five 110 question practice exams A mix of multiple choice questions and alternative item types AITs to give you realistic exam
practice Problems are designed to be solved in three minutes or less to demonstrate the format and difficulty of the exam
Topics Covered Mathematics and Statistics Ethics and Professional Practice Engineering Economics Statics Dynamics
Mechanics of Materials Materials Fluid Mechanics Surveying Water Resources and Environmental Engineering Structural
Engineering Geotechnical Engineering Transportation Engineering Construction Engineering **Study Guide for**
Professional Registration of Mining/minerals Engineers ,1984

Adopting the Track of Term: An Mental Symphony within **Fe Engineering Exam Examples**

In a global eaten by monitors and the ceaseless chatter of quick interaction, the melodic splendor and emotional symphony developed by the published term usually diminish into the background, eclipsed by the constant noise and distractions that permeate our lives. However, situated within the pages of **Fe Engineering Exam Examples** a wonderful fictional treasure filled with fresh emotions, lies an immersive symphony waiting to be embraced. Crafted by an outstanding musician of language, this fascinating masterpiece conducts readers on an emotional trip, well unraveling the hidden melodies and profound impact resonating within each carefully constructed phrase. Within the depths with this moving review, we shall examine the book is main harmonies, analyze its enthralling publishing design, and submit ourselves to the profound resonance that echoes in the depths of readers souls.

https://py.bijouxmedusa.com/results/publication/Download_PDFS/world%20history%20ch%206%20study%20answers.pdf

Table of Contents Fe Engineering Exam Examples

1. Understanding the eBook Fe Engineering Exam Examples
 - The Rise of Digital Reading Fe Engineering Exam Examples
 - Advantages of eBooks Over Traditional Books
2. Identifying Fe Engineering Exam Examples
 - Exploring Different Genres
 - Considering Fiction vs. Non-Fiction
 - Determining Your Reading Goals
3. Choosing the Right eBook Platform
 - Popular eBook Platforms
 - Features to Look for in an Fe Engineering Exam Examples
 - User-Friendly Interface
4. Exploring eBook Recommendations from Fe Engineering Exam Examples
 - Personalized Recommendations

- Fe Engineering Exam Examples User Reviews and Ratings
- Fe Engineering Exam Examples and Bestseller Lists
- 5. Accessing Fe Engineering Exam Examples Free and Paid eBooks
 - Fe Engineering Exam Examples Public Domain eBooks
 - Fe Engineering Exam Examples eBook Subscription Services
 - Fe Engineering Exam Examples Budget-Friendly Options
- 6. Navigating Fe Engineering Exam Examples eBook Formats
 - ePub, PDF, MOBI, and More
 - Fe Engineering Exam Examples Compatibility with Devices
 - Fe Engineering Exam Examples Enhanced eBook Features
- 7. Enhancing Your Reading Experience
 - Adjustable Fonts and Text Sizes of Fe Engineering Exam Examples
 - Highlighting and Note-Taking Fe Engineering Exam Examples
 - Interactive Elements Fe Engineering Exam Examples
- 8. Staying Engaged with Fe Engineering Exam Examples
 - Joining Online Reading Communities
 - Participating in Virtual Book Clubs
 - Following Authors and Publishers Fe Engineering Exam Examples
- 9. Balancing eBooks and Physical Books Fe Engineering Exam Examples
 - Benefits of a Digital Library
 - Creating a Diverse Reading Collection Fe Engineering Exam Examples
- 10. Overcoming Reading Challenges
 - Dealing with Digital Eye Strain
 - Minimizing Distractions
 - Managing Screen Time
- 11. Cultivating a Reading Routine Fe Engineering Exam Examples
 - Setting Reading Goals Fe Engineering Exam Examples
 - Carving Out Dedicated Reading Time
- 12. Sourcing Reliable Information of Fe Engineering Exam Examples
 - Fact-Checking eBook Content of Fe Engineering Exam Examples

- Distinguishing Credible Sources
- 13. Promoting Lifelong Learning
 - Utilizing eBooks for Skill Development
 - Exploring Educational eBooks
- 14. Embracing eBook Trends
 - Integration of Multimedia Elements
 - Interactive and Gamified eBooks

Fe Engineering Exam Examples Introduction

In this digital age, the convenience of accessing information at our fingertips has become a necessity. Whether its research papers, eBooks, or user manuals, PDF files have become the preferred format for sharing and reading documents. However, the cost associated with purchasing PDF files can sometimes be a barrier for many individuals and organizations. Thankfully, there are numerous websites and platforms that allow users to download free PDF files legally. In this article, we will explore some of the best platforms to download free PDFs. One of the most popular platforms to download free PDF files is Project Gutenberg. This online library offers over 60,000 free eBooks that are in the public domain. From classic literature to historical documents, Project Gutenberg provides a wide range of PDF files that can be downloaded and enjoyed on various devices. The website is user-friendly and allows users to search for specific titles or browse through different categories. Another reliable platform for downloading Fe Engineering Exam Examples free PDF files is Open Library. With its vast collection of over 1 million eBooks, Open Library has something for every reader. The website offers a seamless experience by providing options to borrow or download PDF files. Users simply need to create a free account to access this treasure trove of knowledge. Open Library also allows users to contribute by uploading and sharing their own PDF files, making it a collaborative platform for book enthusiasts. For those interested in academic resources, there are websites dedicated to providing free PDFs of research papers and scientific articles. One such website is Academia.edu, which allows researchers and scholars to share their work with a global audience. Users can download PDF files of research papers, theses, and dissertations covering a wide range of subjects. Academia.edu also provides a platform for discussions and networking within the academic community. When it comes to downloading Fe Engineering Exam Examples free PDF files of magazines, brochures, and catalogs, Issuu is a popular choice. This digital publishing platform hosts a vast collection of publications from around the world. Users can search for specific titles or explore various categories and genres. Issuu offers a seamless reading experience with its user-friendly interface and allows users to download PDF files for offline reading. Apart from dedicated platforms, search engines also play a crucial role in finding free PDF files. Google, for instance, has an advanced

search feature that allows users to filter results by file type. By specifying the file type as "PDF," users can find websites that offer free PDF downloads on a specific topic. While downloading Fe Engineering Exam Examples free PDF files is convenient, it's important to note that copyright laws must be respected. Always ensure that the PDF files you download are legally available for free. Many authors and publishers voluntarily provide free PDF versions of their work, but it's essential to be cautious and verify the authenticity of the source before downloading Fe Engineering Exam Examples. In conclusion, the internet offers numerous platforms and websites that allow users to download free PDF files legally. Whether it's classic literature, research papers, or magazines, there is something for everyone. The platforms mentioned in this article, such as Project Gutenberg, Open Library, Academia.edu, and Issuu, provide access to a vast collection of PDF files. However, users should always be cautious and verify the legality of the source before downloading Fe Engineering Exam Examples any PDF files. With these platforms, the world of PDF downloads is just a click away.

FAQs About Fe Engineering Exam Examples Books

What is a Fe Engineering Exam Examples PDF? A PDF (Portable Document Format) is a file format developed by Adobe that preserves the layout and formatting of a document, regardless of the software, hardware, or operating system used to view or print it. **How do I create a Fe Engineering Exam Examples PDF?** There are several ways to create a PDF: Use software like Adobe Acrobat, Microsoft Word, or Google Docs, which often have built-in PDF creation tools. Print to PDF: Many applications and operating systems have a "Print to PDF" option that allows you to save a document as a PDF file instead of printing it on paper. Online converters: There are various online tools that can convert different file types to PDF. **How do I edit a Fe Engineering Exam Examples PDF?** Editing a PDF can be done with software like Adobe Acrobat, which allows direct editing of text, images, and other elements within the PDF. Some free tools, like PDFescape or Smallpdf, also offer basic editing capabilities. **How do I convert a Fe Engineering Exam Examples PDF to another file format?** There are multiple ways to convert a PDF to another format: Use online converters like Smallpdf, Zamzar, or Adobe Acrobat's export feature to convert PDFs to formats like Word, Excel, JPEG, etc. Software like Adobe Acrobat, Microsoft Word, or other PDF editors may have options to export or save PDFs in different formats. **How do I password-protect a Fe Engineering Exam Examples PDF?** Most PDF editing software allows you to add password protection. In Adobe Acrobat, for instance, you can go to "File" -> "Properties" -> "Security" to set a password to restrict access or editing capabilities. Are there any free alternatives to Adobe Acrobat for working with PDFs? Yes, there are many free alternatives for working with PDFs, such as: LibreOffice: Offers PDF editing features. PDFsam: Allows splitting, merging, and editing PDFs. Foxit Reader: Provides basic PDF viewing and editing capabilities. How do I compress a PDF file? You can use online tools like Smallpdf, iLovePDF,

or desktop software like Adobe Acrobat to compress PDF files without significant quality loss. Compression reduces the file size, making it easier to share and download. Can I fill out forms in a PDF file? Yes, most PDF viewers/editors like Adobe Acrobat, Preview (on Mac), or various online tools allow you to fill out forms in PDF files by selecting text fields and entering information. Are there any restrictions when working with PDFs? Some PDFs might have restrictions set by their creator, such as password protection, editing restrictions, or print restrictions. Breaking these restrictions might require specific software or tools, which may or may not be legal depending on the circumstances and local laws.

Find Fe Engineering Exam Examples :

[*world history ch 6 study answers*](#)

[wire rope user manual 4th edition](#)

[what a wonderful world this could be](#)

[writing arguments a rhetoric with readings concise edition books a la carte edition](#)

[whiskey opus](#)

zica management accounting past papers and solutions bing

wren solutions

[winter der welt](#)

world history chapter 30 section quiz 1 the cold war unfolds

[writing skills practice a report exercises british council](#)

[wso technical interview guide](#)

you inc the art of selling yourself pdf download

[workbook and grammar dimensions 4](#)

[zf9hp48 948te introduction atra](#)

[winkler prosthodontics pdf](#)

Fe Engineering Exam Examples :

aqg gcse mathematics assessment resources - Feb 09 2023

web question paper modified a4 18pt foundation paper 1 non calculator june 2022 published 14 jul 2023 pdf 1 1 mb

aqg gcse mathematics assessment resources - Jan 08 2023

web assessment resources question paper higher paper 1 non calculator june 2022 new examiner report higher paper 1 non

calculator june 2022 new question paper modified a4 18pt higher paper 1 non calculator june 2022 new
[aqa gcse mathematics assessment resources](#) - Mar 10 2023

web question paper modified a3 36pt higher paper 1 non calculator june 2022 published 14 jul 2023 pdf 2 4 mb question
paper higher paper 2 calculator june 2022

gcse 9 1 mathematics pearson qualifications - Jan 28 2022

web all three papers must be at the same tier of entry and must be completed in the same assessment series paper 1 is a non
calculator assessment and a calculator is allowed for paper 2 and paper 3 each paper is 1 hour and 30 minutes long each
paper has 80 marks the content outlined for each tier will be assessed across all three papers

mark scheme foundation paper 1 non calculator sample set - Sep 04 2022

web practice papers set 1 teacher booklet gcse new specimen papers published june 2015 title mark scheme foundation
paper 1 non calculator sample set author aqa subject mathematics created date

2021 mathematics paper 1 non calculator maths scot - Jun 01 2022

web 1 b 2 correct substitution into volume of hemisphere formula 3 calculate volume in terms of 2 14 3 3 23 18 2 15 1
interpret index 2 complete evaluation 1 16 3 2 64 2 16 1 correct substitution 2 evaluate f 90 90 2 4 2 17 1 coordinates of
turning point correct

mark scheme foundation paper 1 non calculator november - Jul 14 2023

web foundation tier paper 1 non calculator mark scheme june 2021 version 1 0 final 216g8300 1f ms mark schemes are
prepared by the lead assessment writer and considered together with the relevant questions by a panel of subject teachers

pearson edexcel level 1 level 2 gcse 9 1 maths genie - Mar 30 2022

web paper reference time 1 hour 30 minutes pearson edexcel level 1 level 2 gcse 9 1 1ma1 1f mathematics paper 1 non
calculator foundation tier you must have ruler graduated in centimetres and millimetres protractor pair of compasses pen hb
pencil eraser tracing paper may be used p64629a 2021 pearson education ltd

[gcse h mathematics aqa](#) - Jul 02 2022

web mathematics higher tier paper 1 non calculator h 2 02 ib m nov19 8300 1h do not write outside the box answer all
questions in the spaces provided 1 circle the calculation that decreases 250 by 15 1 mark 250 1 15 250 0 15 250 0 85 250 0
85 2 solve 3x 2x

2021 advanced higher mathematics paper 1 non calculator question paper - Oct 05 2022

web x847 77 11 mathematics paper 1 non calculator duration 1 hour total marks 35 attempt all questions you must not use a
calculator to earn full marks you must show your working in your answers state the units for your answer where appropriate
you will not earn marks for answers obtained by readings from scale drawings

aqg gcse mathematics assessment resources - May 12 2023

web assessment resources question paper foundation paper 1 non calculator june 2022 new question paper modified a4 18pt
foundation paper 1 non calculator june 2022 new question paper higher paper 1 non calculator june 2022 new examiner
report higher paper 1 non calculator june 2022 new

2022 advanced higher mathematics paper 1 non calculator question paper - Dec 27 2021

web mathematics paper 1 non calculator friday 6 may 9 00 am 10 00 am total marks 35 attempt all questions you must not
use a calculator to earn full marks you must show your working in your answers state the units for your answer where
appropriate you will not earn marks for answers obtained by readings from scale drawings

aqg gcse mathematics assessment resources - Dec 07 2022

web question paper higher paper 1 non calculator november 2020 published 18 jan 2022 pdf 1 9 mb

mark scheme results november 2020 pearson qualifications - Aug 03 2022

web jan 14 2021 pearson edexcel gcse 9 1 in mathematics 1ma1 higher non calculator paper 1h edexcel and btec
qualifications edexcel and btec qualifications are awarded by pearson the uk s largest awarding body we provide a wide
range of qualifications including academic vocational occupational and specific programmes for

edexcel gcse maths past papers revision maths - Aug 15 2023

web june 2022 pearson edexcel gcse 9 1 mathematics 1ma1 paper 1 non calculator 1ma1 1f foundation tier download paper
download mark scheme paper 1 non calculator 1ma1 1h higher tier download paper download mark scheme paper 2
calculator 1ma1 2f foundation tier download paper download mark scheme

gcse 9 1 mathematics pearson qualifications - Feb 26 2022

web mathematics paper 1 non calculator foundation tier sample assessment materials issue 2 time 1 hour 30 minutes 1ma1
1f you must have ruler graduated in centimetres and millimetres protractor pair of compasses pen hb pencil eraser
instructions use black ink or ball point pen fill in the boxes at the top of this page with

gcse h mathematics aqa - Apr 30 2022

web advice in all calculations show clearly how you work out your answer please write clearly in block capitals centre
number candidate number surname forename s candidate signature gcse mathematics higher tier paper 1 non calculator h 2
02 ib m nov18 8300 1h

gcse practice papers corbettmaths - Nov 06 2022

web apr 1 2019 higher set a paper 1 non calculator higher set a paper 2 calculator higher set a paper 3 calculator higher
set b paper 1 non calculator higher set b paper 2 calculator higher set b paper 3 calculator higher set c paper 1 non
calculator higher set c paper 2 calculator higher set c paper 3 calculator

aqa gcse maths past papers revision maths - Apr 11 2023

web aqa gcse mathematics 8300 june 2022 paper 1 non calculator 8300 1f foundation download paper download mark scheme paper 1 non calculator 8300 1h higher download paper download mark scheme paper 2 calculator 8300 2f foundation download paper download mark scheme

mark scheme higher paper 1 non calculator november 2021 - Jun 13 2023

web gcse mathematics 8300 1h higher tier paper 1 non calculator mark scheme june 2021 version 1 0 final 216g8300 1h ms mark schemes are prepared by the lead assessment writer and considered together with the relevant questions by a panel of subject teachers

amazon in rs aggarwal general english book - Apr 03 2023

web mar 15 2017 s chand s objective general english for ssc cgl chsl ibps bank po railway police pcs ctet mba gmat and all central state level competitive exams ssc english book ssc cgl english book fully revised video edition latest 2023 by dr r s aggarwal 28 december 2022 31 paperback 46098 m r p 655 30 off

objective general english by r s aggarwal old edition - Sep 27 2022

web r s aggarwal objective general english by r s aggarwal old edition paperback 15 march 2017 by r s aggarwal author vikas aggarwal author

objective general english fully revised video edition 2022 - Mar 02 2023

web objective general english rs aggarwal r s aggarwal general english book vocabulary usage comprehension ability error detection rearrangement idioms and phrases direct and indirect speech

objective general english r s aggarwal vikas aggarwal - May 04 2023

web bibliographic information title objective general english authors r s aggarwal vikas aggarwal publisher s chand limited 2001 isbn 8121915317 9788121915311

objective general english r s aggarwal pdf english - Mar 22 2022

web objective general english r s aggarwal pdf latest edition free download r s aggarwal english objective book is very important for the upcoming sarkari exams like ssc cgl ssc cpo ssc chsl ssc mts bank clerk bank po r s aggarwal english objective book free download hand written notes of english grammar class notes

antonyms set 12 01 25 objective general english dr r s aggarwal - Apr 22 2022

web antonyms set 12 01 25 objective general english dr r s aggarwal by ripusudan sir antonymsrsaggarwal objectivegeneralantonyms solutiontorsaggarwalbook

r s aggarwal open library - Aug 27 2022

web jul 5 2019 author of composite mathematics a modern approach to logical reasoning objective general english modern

approach to verbal and non verbal reasoning quantitative aptitude for competitive examinations by r s aggarwal ekyupreshar se bimariyon ka 'ilaj

r s aggarwal objective general english book pdf ssc study - Jul 26 2022

web objective general english book pdf by r s aggarwal for free download this book is an ideal book for ssc cgl cpo ssc chsl bank po sbi p o hotel management railway recruitment exam nda cds sub inspector of police exam other competitive exams this book will solve the purpose of students looking for government jobs

quick learning objective general english r s aggarwal - Jul 06 2023

web bibliographic information title quick learning objective general english author r s aggarwal publisher s chand limited 2006 isbn 8121922119 9788121922111

books by r s aggarwal author of quantitative aptitude goodreads - Dec 31 2022

web showing 30 distinct works previous 1 2 3 4 next sort by previous 1 2 3 4 next note these are all the books on goodreads for this author to add more books click here r s aggarwal has 116 books on goodreads with 34378 ratings r s aggarwal s most popular book is quantitative aptitude

objective general english r s aggarwal rokomari com - Nov 29 2022

web get author r s aggarwal s original book objective general english from rokomari com enjoy free shipping cash on delivery and extra offers on eligible purchases

rs aggarwal objective general english book pdf download - Feb 18 2022

web feb 6 2023 frequently asked questions q1 is rs aggarwal s objective general english good enough for mba exams ans yes definitely to clear the mba exam s english section rs aggarwal objective general english book is perfectly enough q2 is rs aggarwal objective general english book good enough for sbi po ans so you re

objective general english r s aggarwal pdf google - Sep 08 2023

web view details request a review learn more

10000 objective general english by r s aggarwal vikas aggarwal - Aug 07 2023

web 10000 objective general english by r s aggarwal vikas aggarwal copy pdf google drive

10000 objective general english by r s aggarwal vikas aggarwal - Oct 09 2023

web 10000 objective general english by r s aggarwal vikas aggarwal copy pdf google drive

objective general english 1 edition english paperback r s aggarwal - Oct 29 2022

web objective general english 1 edition english paperback r s aggarwal by r s aggarwal from flipkart com only genuine products 30 day replacement guarantee free shipping cash on delivery

objective general english 10 000 plus questions aggarwal r s - Jun 05 2023

web may 6 2022 aggarwal r s publication date 2010 topics general english india publisher new delhi s chand company ltd collection inlibrary printdisabled internetarchivebooks

pdf objective general english download for free by rs aggarwal - May 24 2022

web oct 1 2022 info download objective general english by r s aggarwal in pdf especially highly recommended by the ssc toppers for the preparation of ssc cgl ssc cpo si ssc chsl for all ssc and state government exams this book is helpful because the topics given in this book is to the point

objective general english by r s aggarwal s chand publishing - Feb 01 2023

web reviews over the last 20 years this book has earned the reputation of being one of the market leaders in the subject and has helped you score high in the general english paper of most competitive examinations

objective general english old edition amazon in - Jun 24 2022

web published by s chand the objective general english by r s aggarwal is a comprehensive guide for competitive examination preparation with emphasis on the english language syllabus the book has been compiled to aid students who are preparing for competitive examinations such as ssc bank po railway upsc exams and cds

kennedy die berliner mauer und die kubakrise worldcat org - Feb 09 2023

web kennedy die berliner mauer und die kubakrise die westliche allianz in der zerreiprobe 1961 1963

c mnger die berliner mauer kennedy und die kubakrise - Apr 30 2022

web die berliner mauer kennedy und die kubakrise die westliche allianz in der zerreiprobe 1961 1963 paderborn ferdinand schningh verlag 2003 404 s eur 39 00 gebunden isbn 978 3 506 77531 3 reviewed by gerhard wettig published on h soz u kult april 2004 christof mngers buch beruht auf ebenso ein

historiker kennedy hat am skript fr die mauer mitgeschrieben - Jul 02 2022

web aug 9 2011 aber dieser held kennedy der mythos ist eher 1962 geworden bei der kubakrise dann 1963 noch weitergegangen bei seiner berlin rede ich bin ein berliner aber man muss nicht vergessen dass es

tage am abgrund die berlin politik in zeiten der kuba krise und - Dec 27 2021

web oktober 1962 unterrichtete prsident kennedy die bevlkerung von den vorgngen auf kuba und den reaktionen der vereinigten staaten das excomm hatte sich fr die verhngung einer partiellen seeblockade mit gltigkeit ab dem 24

kennedy die berliner mauer und die kubakrise google books - Mar 10 2023

web dieses buch thematisiert eine schwere binnenwestliche krise die im schatten der groen weltbedrohenden ost west konflikte um berlin und kuba bislang weitgehend unbeachtet blieb 1961 bis

us prsident kennedy und der mauerbau ich bin doch kein berliner - Mar 30 2022

web aug 13 2011 besser als ein krieg us prsident kennedy akzeptierte den mauerbau und lie sowjetfhrer chruschtschow

früh wissen dass die abriegelung des ostens keine konsequenzen nach sich ziehen

die berliner mauer kennedy und die kubakrise bücher de - Aug 03 2022

web ein politischer graben im westlichen bündnis zwischen den usa und großbritannien einerseits und frankreich und deutschland andererseits er tat sich schon einmal auf vor über 40 jahren als die berliner mauer gebaut wurde und die sowjetunion ein jahr später raketen vor der haustür der vereinigten staaten stationierte

3506775316 die berliner mauer kennedy und die kubakrise - Sep 04 2022

web die berliner mauer kennedy und die kubakrise finden sie alle bücher von christof münger bei der büchersuchmaschine eurobuch com können sie antiquarische und neubücher vergleichen und sofort zum bestpreis bestellen 3506775316 ein politischer graben im westlichen bündnis zwischen den usa und

gefahr für berlin willy brandt und konrad adenauer swr de - Jan 28 2022

web oct 13 2022 23 bis 25 10 1962 die ankündigung john f kennedys einer seeblockade kubas und die informationen dass die sowjetunion raketen dort stationiert hat löst weltweit besorgnis aus

die berliner mauer kennedy und die kubakrise buch weltbild - Feb 26 2022

web bücher online shop die berliner mauer kennedy und die kubakrise von christof münger bei weltbild bestellen und von der kostenlosen lieferung profitieren versandkostenfrei 30 tage widerrufsrecht rechnungskauf nur bei weltbild newsletter fr 5 rabatt newsletter jetzt fr 5 rabatt sichern

die berliner mauer kennedy und die kubakrise die westliche - Jun 13 2023

web die berliner mauer kennedy und die kubakrise die westliche allianz in der zerreißprobe 1961 1963 sammlung schönigh zur geschichte und gegenwart münger christof isbn 9783506775313 kostenloser versand für alle bücher mit versand und verkauf duch amazon

kennedy die berliner mauer und die kubakrise worldcat org - Jan 08 2023

web kennedy die berliner mauer und die kubakrise die westliche allianz in der zerreißprobe 1961 1963

c münger die berliner mauer kennedy und die kubakrise h - Apr 11 2023

web rezeption zu review of münger christof die berliner mauer kennedy und die kubakrise die westliche allianz in der zerreißprobe 1961 1963 rezeption zu c münger die berliner mauer kennedy und die kubakrise h soz kult

die berliner mauer kennedy und die kubakrise brill - Aug 15 2023

web nov 5 2003 dieses buch thematisiert eine schwere binnenwestliche krise die im schatten der großen weltbedrohenden ost west konflikte um berlin und kuba bislang weitgehend unbeachtet blieb 1961 bis 1963 kam es in der westlichen allianz zu einer bis dahin nicht gekannten zerreißprobe weil man sich nicht einigen konnte wie auf die

christof münger kennedy die berliner mauer und die kubakrise - Jun 01 2022

web außenpolitik kennedys münger nutzt gekonnt die krisen in berlin und kuba um die beziehungen innerhalb der nato zu beleuchten und schildert in lebendiger sprache die tiefen zerwürfnisse innerhalb des westlichen bündnisses obschon seit langem bekannt war dass die nato zu beginn der 1960er jahre in schweres wasser gekommen war

[kennedy und die kuba krise 1962 zdfmediathek](#) - May 12 2023

web may 22 2017 kennedy und die kuba krise 1962 drohender atomkrieg mit der sowjetunion als die russen raketen auf kuba also vor der haustür der amerikaner stationieren eskaliert der streit der supermächte

[kennedy die berliner mauer und die kubakrise perlentaucher](#) - Jul 14 2023

web während in der berlin krise adenauer und de gaulle für einen kompromisslosen kurs gegenüber dem osten waren zeigten sich kennedy und macmillan konzessionsbereit erst nachdem kennedy in der kubakrise einen großen erfolg verbuchen konnte gelang es den usa sich gegenüber bonn und paris durchzusetzen

[christof münger kennedy die berliner mauer und die kubakrise die](#) - Oct 05 2022

web jan 1 2006 christof münger kennedy die berliner mauer und die kubakrise die westliche allianz in der zerreißprobe 1961 63 christian nuenlist author and article

die berliner mauer kennedy und die kubakrise orell füssli - Nov 06 2022

web dieses buch thematisiert eine schwere binnenwestliche krise die im schatten der grossen weltbedrohenden ost west konflikte um berlin und kuba bislang weitgehend unbeachtet blieb 1961 bis 1963 kam es in der westlichen allianz zu einer bis dahin nicht gekannten zerreißprobe weil man sich nicht einigen konnte wie auf die sowjetischen druck

[die berliner mauer kennedy und die kubakrise die westliche](#) - Dec 07 2022

web nov 5 2003 die berliner mauer kennedy und die kubakrise die westliche allianz in der zerreißprobe 1961 1963 sammlung schönigh zur geschichte und gegenwart german edition münger christof on amazon com free shipping on qualifying offers

[die berliner mauer kennedy und die kubakrise die westliche](#) - Dec 07 2022

web nov 5 2003 die berliner mauer kennedy und die kubakrise die westliche allianz in der zerreißprobe 1961 1963 sammlung schönigh zur geschichte und gegenwart german edition münger christof on amazon com free shipping on qualifying offers

qualifying offers