

$$P \begin{bmatrix} e_\alpha \\ e_\beta \end{bmatrix} = \begin{bmatrix} -\psi_{af} \omega_e^2 \cos \theta_e \\ -\psi_{af} \omega_e^2 \sin \theta_e \end{bmatrix} = \omega_e \begin{bmatrix} -e_\beta \\ e_\alpha \end{bmatrix}$$

Full-order observer

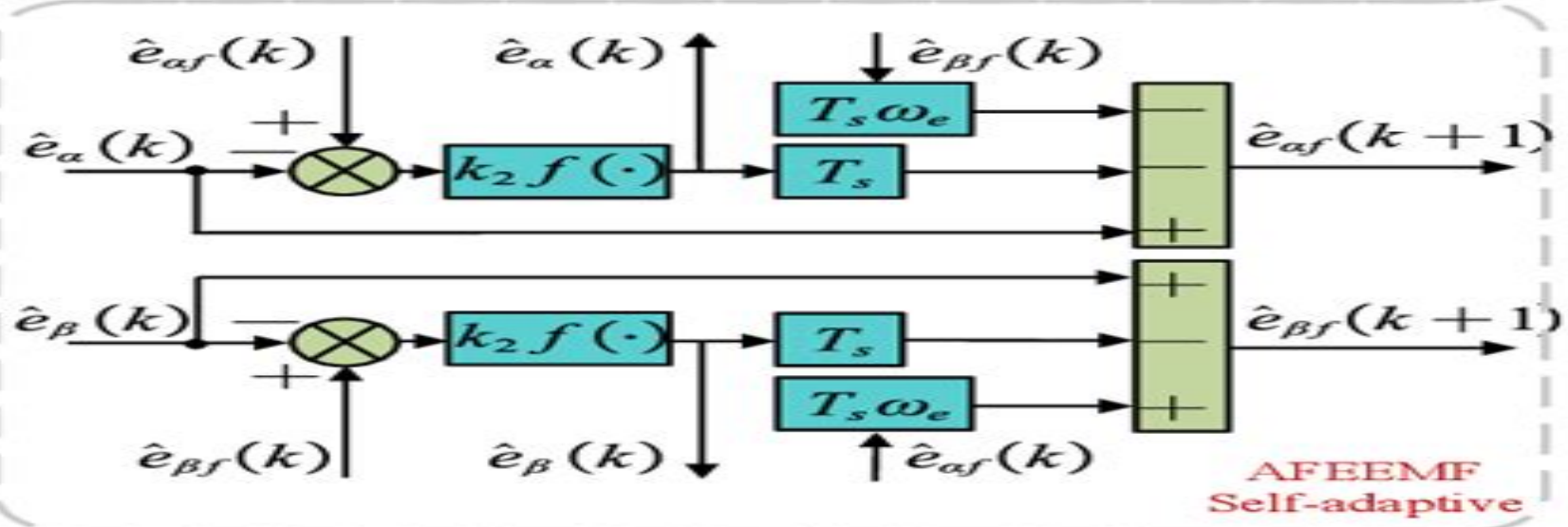
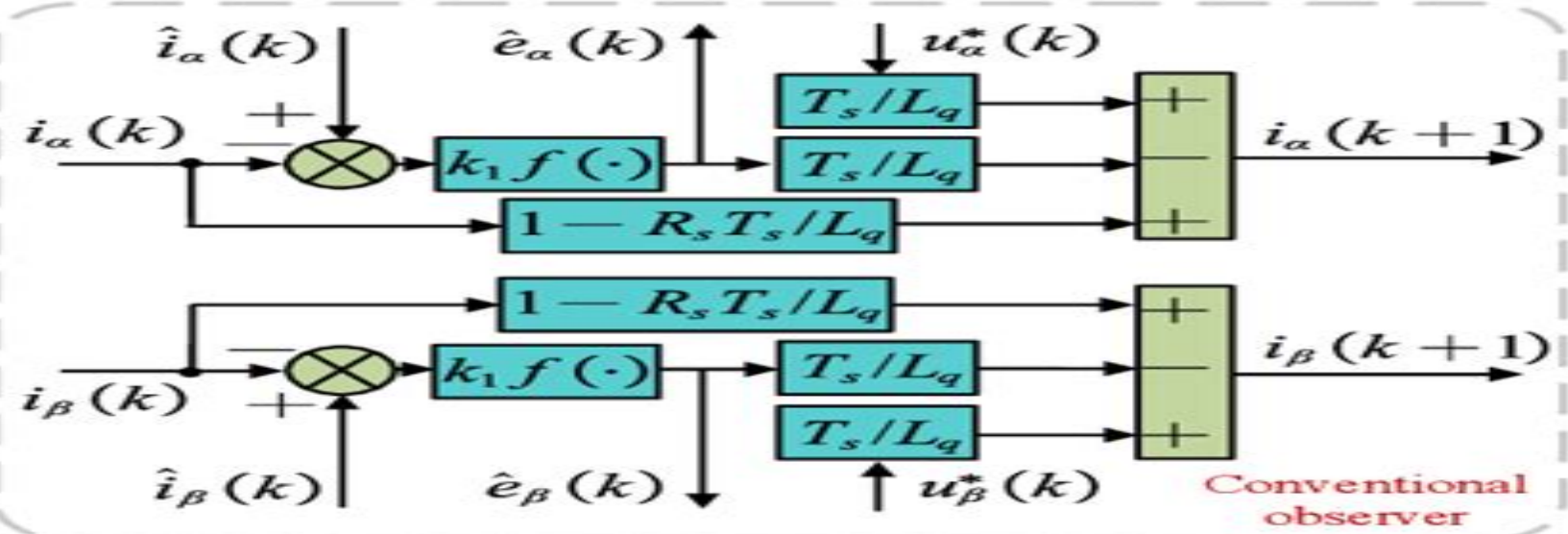


Fig. 1. Structure of full-order SMO.

# Flux Sliding Mode Observer Design For Sensorless Control

**C Cleary**



## **Flux Sliding Mode Observer Design For Sensorless Control:**

Immerse yourself in heartwarming tales of love and emotion with Explore Love with its touching creation, Experience Love's Journey in **Flux Sliding Mode Observer Design For Sensorless Control** . This emotionally charged ebook, available for download in a PDF format ( PDF Size: \*), is a celebration of love in all its forms. Download now and let the warmth of these stories envelop your heart.

[https://py.bijouxmedusa.com/data/virtual-library/fetch.php/Glencoe\\_Mcgraw\\_Hill\\_Chemistry\\_Worksheet\\_Answers\\_Chapter\\_14.pdf](https://py.bijouxmedusa.com/data/virtual-library/fetch.php/Glencoe_Mcgraw_Hill_Chemistry_Worksheet_Answers_Chapter_14.pdf)

## **Table of Contents Flux Sliding Mode Observer Design For Sensorless Control**

1. Understanding the eBook Flux Sliding Mode Observer Design For Sensorless Control
  - The Rise of Digital Reading Flux Sliding Mode Observer Design For Sensorless Control
  - Advantages of eBooks Over Traditional Books
2. Identifying Flux Sliding Mode Observer Design For Sensorless Control
  - Exploring Different Genres
  - Considering Fiction vs. Non-Fiction
  - Determining Your Reading Goals
3. Choosing the Right eBook Platform
  - Popular eBook Platforms
  - Features to Look for in an Flux Sliding Mode Observer Design For Sensorless Control
  - User-Friendly Interface
4. Exploring eBook Recommendations from Flux Sliding Mode Observer Design For Sensorless Control
  - Personalized Recommendations
  - Flux Sliding Mode Observer Design For Sensorless Control User Reviews and Ratings
  - Flux Sliding Mode Observer Design For Sensorless Control and Bestseller Lists
5. Accessing Flux Sliding Mode Observer Design For Sensorless Control Free and Paid eBooks
  - Flux Sliding Mode Observer Design For Sensorless Control Public Domain eBooks
  - Flux Sliding Mode Observer Design For Sensorless Control eBook Subscription Services

- Flux Sliding Mode Observer Design For Sensorless Control Budget-Friendly Options
- 6. Navigating Flux Sliding Mode Observer Design For Sensorless Control eBook Formats
  - ePub, PDF, MOBI, and More
  - Flux Sliding Mode Observer Design For Sensorless Control Compatibility with Devices
  - Flux Sliding Mode Observer Design For Sensorless Control Enhanced eBook Features
- 7. Enhancing Your Reading Experience
  - Adjustable Fonts and Text Sizes of Flux Sliding Mode Observer Design For Sensorless Control
  - Highlighting and Note-Taking Flux Sliding Mode Observer Design For Sensorless Control
  - Interactive Elements Flux Sliding Mode Observer Design For Sensorless Control
- 8. Staying Engaged with Flux Sliding Mode Observer Design For Sensorless Control
  - Joining Online Reading Communities
  - Participating in Virtual Book Clubs
  - Following Authors and Publishers Flux Sliding Mode Observer Design For Sensorless Control
- 9. Balancing eBooks and Physical Books Flux Sliding Mode Observer Design For Sensorless Control
  - Benefits of a Digital Library
  - Creating a Diverse Reading Collection Flux Sliding Mode Observer Design For Sensorless Control
- 10. Overcoming Reading Challenges
  - Dealing with Digital Eye Strain
  - Minimizing Distractions
  - Managing Screen Time
- 11. Cultivating a Reading Routine Flux Sliding Mode Observer Design For Sensorless Control
  - Setting Reading Goals Flux Sliding Mode Observer Design For Sensorless Control
  - Carving Out Dedicated Reading Time
- 12. Sourcing Reliable Information of Flux Sliding Mode Observer Design For Sensorless Control
  - Fact-Checking eBook Content of Flux Sliding Mode Observer Design For Sensorless Control
  - Distinguishing Credible Sources
- 13. Promoting Lifelong Learning
  - Utilizing eBooks for Skill Development
  - Exploring Educational eBooks
- 14. Embracing eBook Trends

- Integration of Multimedia Elements
- Interactive and Gamified eBooks

## **Flux Sliding Mode Observer Design For Sensorless Control Introduction**

Free PDF Books and Manuals for Download: Unlocking Knowledge at Your Fingertips In today's fast-paced digital age, obtaining valuable knowledge has become easier than ever. Thanks to the internet, a vast array of books and manuals are now available for free download in PDF format. Whether you are a student, professional, or simply an avid reader, this treasure trove of downloadable resources offers a wealth of information, conveniently accessible anytime, anywhere. The advent of online libraries and platforms dedicated to sharing knowledge has revolutionized the way we consume information. No longer confined to physical libraries or bookstores, readers can now access an extensive collection of digital books and manuals with just a few clicks. These resources, available in PDF, Microsoft Word, and PowerPoint formats, cater to a wide range of interests, including literature, technology, science, history, and much more. One notable platform where you can explore and download free Flux Sliding Mode Observer Design For Sensorless Control PDF books and manuals is the internet's largest free library. Hosted online, this catalog compiles a vast assortment of documents, making it a veritable goldmine of knowledge. With its easy-to-use website interface and customizable PDF generator, this platform offers a user-friendly experience, allowing individuals to effortlessly navigate and access the information they seek. The availability of free PDF books and manuals on this platform demonstrates its commitment to democratizing education and empowering individuals with the tools needed to succeed in their chosen fields. It allows anyone, regardless of their background or financial limitations, to expand their horizons and gain insights from experts in various disciplines. One of the most significant advantages of downloading PDF books and manuals lies in their portability. Unlike physical copies, digital books can be stored and carried on a single device, such as a tablet or smartphone, saving valuable space and weight. This convenience makes it possible for readers to have their entire library at their fingertips, whether they are commuting, traveling, or simply enjoying a lazy afternoon at home. Additionally, digital files are easily searchable, enabling readers to locate specific information within seconds. With a few keystrokes, users can search for keywords, topics, or phrases, making research and finding relevant information a breeze. This efficiency saves time and effort, streamlining the learning process and allowing individuals to focus on extracting the information they need. Furthermore, the availability of free PDF books and manuals fosters a culture of continuous learning. By removing financial barriers, more people can access educational resources and pursue lifelong learning, contributing to personal growth and professional development. This democratization of knowledge promotes intellectual curiosity and empowers individuals to become lifelong learners, promoting progress and innovation in various fields. It is worth noting that while accessing free Flux Sliding Mode Observer Design For Sensorless

Control PDF books and manuals is convenient and cost-effective, it is vital to respect copyright laws and intellectual property rights. Platforms offering free downloads often operate within legal boundaries, ensuring that the materials they provide are either in the public domain or authorized for distribution. By adhering to copyright laws, users can enjoy the benefits of free access to knowledge while supporting the authors and publishers who make these resources available. In conclusion, the availability of Flux Sliding Mode Observer Design For Sensorless Control free PDF books and manuals for download has revolutionized the way we access and consume knowledge. With just a few clicks, individuals can explore a vast collection of resources across different disciplines, all free of charge. This accessibility empowers individuals to become lifelong learners, contributing to personal growth, professional development, and the advancement of society as a whole. So why not unlock a world of knowledge today? Start exploring the vast sea of free PDF books and manuals waiting to be discovered right at your fingertips.

### FAQs About Flux Sliding Mode Observer Design For Sensorless Control Books

1. Where can I buy Flux Sliding Mode Observer Design For Sensorless Control books? Bookstores: Physical bookstores like Barnes & Noble, Waterstones, and independent local stores. Online Retailers: Amazon, Book Depository, and various online bookstores offer a wide range of books in physical and digital formats.
2. What are the different book formats available? Hardcover: Sturdy and durable, usually more expensive. Paperback: Cheaper, lighter, and more portable than hardcovers. E-books: Digital books available for e-readers like Kindle or software like Apple Books, Kindle, and Google Play Books.
3. How do I choose a Flux Sliding Mode Observer Design For Sensorless Control book to read? Genres: Consider the genre you enjoy (fiction, non-fiction, mystery, sci-fi, etc.). Recommendations: Ask friends, join book clubs, or explore online reviews and recommendations. Author: If you like a particular author, you might enjoy more of their work.
4. How do I take care of Flux Sliding Mode Observer Design For Sensorless Control books? Storage: Keep them away from direct sunlight and in a dry environment. Handling: Avoid folding pages, use bookmarks, and handle them with clean hands. Cleaning: Gently dust the covers and pages occasionally.
5. Can I borrow books without buying them? Public Libraries: Local libraries offer a wide range of books for borrowing. Book Swaps: Community book exchanges or online platforms where people exchange books.
6. How can I track my reading progress or manage my book collection? Book Tracking Apps: Goodreads, LibraryThing, and Book Catalogue are popular apps for tracking your reading progress and managing book collections. Spreadsheets:

You can create your own spreadsheet to track books read, ratings, and other details.

7. What are Flux Sliding Mode Observer Design For Sensorless Control audiobooks, and where can I find them?  
Audiobooks: Audio recordings of books, perfect for listening while commuting or multitasking. Platforms: Audible, LibriVox, and Google Play Books offer a wide selection of audiobooks.
8. How do I support authors or the book industry? Buy Books: Purchase books from authors or independent bookstores. Reviews: Leave reviews on platforms like Goodreads or Amazon. Promotion: Share your favorite books on social media or recommend them to friends.
9. Are there book clubs or reading communities I can join? Local Clubs: Check for local book clubs in libraries or community centers. Online Communities: Platforms like Goodreads have virtual book clubs and discussion groups.
10. Can I read Flux Sliding Mode Observer Design For Sensorless Control books for free? Public Domain Books: Many classic books are available for free as they're in the public domain. Free E-books: Some websites offer free e-books legally, like Project Gutenberg or Open Library.

### **Find Flux Sliding Mode Observer Design For Sensorless Control :**

**glencoe mcgraw hill chemistry worksheet answers chapter 14**

**grand mayan grand bliss grand lxxx rentals from s**

grown up christmas list words and music by david foster and linda thompson jenner arr mark hayes choral octavo sath

*global powers of retailing deloitte consumer business*

*grade 9 geography exam papers*

gogo loves english 1 student book

guitar player repair guide stewmac

global logistics markets roland berger

**gre big puzzle**

*guia montenegro contestada 5 grado 2015 2016 urge*

govt 2305 course exam answers

**grade 12 business studies past papers**

gregor the overlander underland chronicles book 1 by

*gioachino rossini introduction theme and variations for clarinet clarinet and piano charles neidich 21st century series for clarinet*

global business today charles w l hill

## **Flux Sliding Mode Observer Design For Sensorless Control :**

**certified financial technician cfte the association of technical** - Sep 04 2022

web individuals who passed the cmt association chartered market technician cmt levels i and ii are eligible to receive the cfte certification please submit an application and provide a pass confirmation from the cmt association including dates attained there is a one time application fee of 550 us no future fees or membership requirements

[cfte i foundations in technical analysis pdf uniport edu](#) - Jun 01 2022

web mar 21 2023 you may not be perplexed to enjoy every books collections cfte i foundations in technical analysis that we will agreed offer it is not on the subject of the costs its approximately what you habit currently this cfte i foundations in technical analysis as one of the most in force sellers here will enormously be in the course of the

**cfte i foundations in technical analysis 2022** - Mar 30 2022

web not a primer for the novice technical analysis for the trading professional resets the scales arming today s professional trader with new unique and never before seen formulas and uses of key market indicators and techniques

[e book cfte i foundations in technical analysis pdf free](#) - Feb 26 2022

web aug 16 2023 e book cfte i foundations in technical analysis pdf free technical analysis to leveraging the power of options and show you how applying these tools and techniques to your trading or investing endeavors can improve overall performance from the foreword by john j murphy demark s work as a consultant

*cftei syllabus 2012 pdf technical analysis market trend* - Jun 13 2023

web certified financial technician cfte level i foundations in technical analysis 2012 syllabus and reading list the cfte i candidate is responsible for the material on a definition level the candidate must understand the terminology used in these readings be able to describe the concepts discussed in these readings and be able to examine

*ifta international federation of technical analysts* - Feb 09 2023

web we would like to show you a description here but the site won t allow us

**ifta certifications cfte mfta** - Dec 07 2022

web passing the cfte i and cfte ii culminates in the award of an international professional qualification in technical analysis the exams are intended to test not only your technical skills knowledge but your understanding of ethics and the market as well

**cfte i foundations in technical analysis pdf analytics** - Aug 03 2022

web cfte i foundations in technical analysis 1 cfte i foundations in technical analysis international white collar crime career

opportunities in transportation risk navigation strategies for major capital projects the handbook of technical analysis test bank artificial intelligence in asset management energy and water development

**cfte i foundations in technical analysis liululu net** - Jan 28 2022

web cfte i foundations in technical analysis vwborade cfte past questions bing pdfsdir com gautam shah cmt cfte msta london linkedin omar nimer mba cfte itil digital payment solutions shweta koticha cmt msta cfte technical analyst foundations of technical analysis trading event risk cfte i foundations in technical analysis golfvw

**certification ifta** - Apr 11 2023

web cfte i this multiple choice exam covers a wide range of technical knowledge and understanding of the principles of technical analysis usually not involving actual experience this exam is currently offered in english german arabic

**cfte i syllabus 2012 certified financial technician cfte** - May 12 2023

web cfte i syllabus 2012 certified financial technician cfte level i foundations in technical studocu terminology of technical analysis determination of price trends basics of pattern recognition establishing price targets

**certified financial technician i tradepedia** - Oct 05 2022

web pass the cfte i sta foundation have all the necessary theory for cfte ii sta diploma learn to trade and invest using technical analysis pursue a career in the financial industry

*cfte i foundations in technical analysis clr imymac* - Apr 30 2022

web analysis explores theory and history markets market indicators construction confirmation cycles selection and decision system testing and statistical analysis

cftei syllabus 2012 forex factory - Mar 10 2023

web cfte level i exam tests the candidate s knowledge of six basic areas of technical analysis terminology of technical analysis methods of charting determination of price trends basics of pattern recognition establishing price targets equity market analysis applying technical analysis to bonds currencies futures and options

**cfte i foundations in technical analysis pdf gccca** - Jul 02 2022

web mar 20 2023 technical analysis and a master at explaining precisely how the major markets impact each other this updated version provides even more lessons from the past plus fresh insights on current market trends

*cfte i foundations in technical analysis pdf pdf elections freep* - Dec 27 2021

web cfte i foundations in technical analysis pdf pdf unleashing the language is inner magic in a fast paced digital era where connections and knowledge intertwine the enigmatic realm of language reveals

cfte exam program ifta - Nov 06 2022

web oct 6 2010 the cfte ii exam is a paper and pencil exam that is offered twice annually in the spring april and fall october

november this examination regularly takes place in cairo dubai frankfurt london zurich madrid paris and singapore ifta may arrange for additional exam locations on an individual or group basis upon request

[ebook cfte i foundations in technical analysis](#) - Jan 08 2023

web cfte i foundations in technical analysis mastering technical analysis chapter 16 individual stock selection nov 12 2019 here is a chapter from mastering technical analysis a practical examination of the key tools of technical analysis how they work why they work and which work best in specific situations

*certified financial technician cfte ifta* - Aug 15 2023

web the ifta certified financial technician cfte consists of cfte i and ii which together constitute a complete professional program the two examinations culminate in the award of this internationally recognized professional qualification in technical analysis

[cfte 1 syllabus reading list updated aug09 pdf technical analysis](#) - Jul 14 2023

web cfte i foundations in technical analysis the cfte i candidate is responsible for the material on a definition level the candidate must understand the terminology used in these readings be able to describe the concepts discussed in these readings and be able to examine trends

**a social history of the media from gutenberg to the** - Apr 04 2023

web a social history of the media from gutenberg to the internet polity cambridge 2002 ix 374 pp ill 55 00 paper 15 99 doi 10 1017 s0020859004011435 at the end of the

**a social history of the media from gutenberg to the internet** - May 05 2023

web jul 29 2005 written by two leading social and cultural historians the first edition of a social history of the media has become a classic textbook providing a masterful

[a social history of the media from gutenberg to the internet](#) - Feb 02 2023

web a social history of the media from gutenberg to the internet 22 reviews authors asa briggs peter burke summary in this new and revised edition asa briggs and peter

*a social history of the media from gutenberg to the internet* - Aug 08 2023

web feb 1 2003 social history of the media from gutenberg to the internet the english historical review oxford academic journal article a social history of the media

**a social history of the media from gutenberg to the internet** - Jun 06 2023

web publisher s summary written by two leading social and cultural historians the first two editions of a social history of the media became classic textbooks providing a

**a social history of the media from gutenberg to the internet** - Aug 28 2022

---

web jun 3 2013 2010 a social history of the media from gutenber to the internet by asa briggs and peter burke 3rd edition cambridge polity press 2009 346 pp

**a social history of the media from gutenber to the** - Oct 10 2023

web mar 8 2010 a social history of the media from gutenber to the internet 9780745644950 media studies books amazon com books new used rental

a social history of the media from gutenber to the internet - Dec 20 2021

*social history of the media from gutenber to the internet the* - Jul 07 2023

web 1 introduction 2 the print revolution in context 3 the media and the public sphere in early modern europe 4 from steam to electricity 5 processes and patterns

**a social history of the media from gutenber to the internet by** - Mar 03 2023

web a social history of the media from gutenber to the internet authors asa briggs author peter burke author summary this third edition has been thoroughly revised

a social history of the media from gutenber to the internet - Oct 30 2022

web a social history of the media from gutenber to the internet by briggs asa and peter burke polity cambridge 2002 ix 374 pp ill 55 00 paper 15 99 volume 49 issue 1

*a social history of the media from gutenber to the* - Sep 09 2023

web a social history of the media from gutenber to the internet asa briggs peter burke polity 2009 social science 346 pages

a social history of the media from gutenber to the internet - Sep 28 2022

web jun 1 2005 buy a social history of the media from gutenber to the internet 2nd edition by burke peter briggs asa isbn 9780745635125 from amazon s book store

**a social history of the media from gutenber to the internet by** - Jul 27 2022

web 2 social history media gutenber internet 2021 02 27 smartphones and social media media history from gutenber to the digital age mit press what does obscene mean

**social history of the media from gutenber to the internet** - Apr 23 2022

web jan 12 2010 buy a social history of the media from gutenber to the internet 3rd edition 3rd by briggs asa burke peter isbn 8601405116710 from amazon s book

*social history media gutenber internet 2022 ams istanbul edu* - Jun 25 2022

web mar 8 2023 december 14 2020 edited by marc bot import existing book november 18 2008 created by importbot imported from university of toronto marc record

social history of the media from gutenber to - May 25 2022

web social history of the media from gutenber to the internet briggs asa burke peter amazon com tr kitap

**a social history of the media from gutenber to the internet** - Feb 19 2022

web summary written by two leading social and cultural historians a social history of the media provides a masterful overview of communication media and of the social and

**a social history of the media from gutenber to the internet 3rd** - Mar 23 2022

web jul 29 2005 written by two leading social and cultural historians the first edition of a social history of the media has become a classic textbook providing a masterful

**a social history of the media from gutenber to the internet** - Nov 30 2022

web jan 28 2002 a social history of the media from gutenber to the internet list of illustrations preface 1 introduction 2 printing in its contexts 3 the media and the public

*a social history of the media from gutenber to the internet* - Jan 01 2023

web jan 28 2002 asa briggs peter burke wiley jan 28 2002 history 374 pages written by two leading social and cultural historians a social history of the media provides a

*a social history of the media from gutenber to the internet* - Jan 21 2022

web jul 29 2005 in historical terms this is simply the best and most authoritative history of modern media it analyzes how each historically new media technology starting with

**einsatz von hohlstrahlrohren ausbildung und praxis amazon de** - Aug 14 2023

web einsatz von hohlstrahlrohren ausbildung und praxis funktionsweise hydraulik normung anforderungen funktionskategorie kennlinien ergonomie

**einsatz von hohlstrahlrohren ausbildung und praxi** - Mar 09 2023

web einsatz von hohlstrahlrohren fachw feuerwehr erstellen eines außengewindes auf verzinktem stahlrohr unterweisung anlagenmechaniker für sanitär heizung und

*einsatz von hohlstrahlrohren ausbildung und funktionsweise* - Sep 03 2022

web einsatz von hohlstrahlrohren ausbildung und praxis hydraulik bücher test 2018 produkt vergleich video einsatz von sonderrohren ausbildung und praxis atemschutzgerät

**einsatz von hohlstrahlrohren ausbildung und praxis medimops** - Jun 12 2023

web einsatz von hohlstrahlrohren ausbildung und praxis funktionsweise hydraulik normung anforderungen funktionskategorie kennlinien ergonomie

einsatz von hohlstrahlrohren ausbildung und praxi - Apr 10 2023

web einatz von hohlstrahlrohren ausbildung und praxi innenangriff jun 03 2023 im rahmen der aus und fortbildung sowie im einatz ist immer wieder zu beobachten

[einsatzvonhohlstrahlrohrenausbildungundpraxi copy](#) - Aug 02 2022

web einatz von hohlstrahlrohren fachw feuerwehr einatzleiter e book feuerwehr einatztaktik für den zugführer suche impotenten mann fürs leben überflüssigen

**einsatz von hohlstrahlrohren ausbildung und praxi copy** - Jan 27 2022

web as evaluation einatz von hohlstrahlrohren ausbildung und praxi what you later than to read einatz von hohlstrahlrohren fachw feuerwehr holger de vries 2017 11 30

[einsatz von hohlstrahlrohren ausbildung und praxi](#) - Feb 25 2022

web einatz von hohlstrahlrohren ausbildung und praxi if you ally obsession such a referred einatz von hohlstrahlrohren ausbildung und praxi books that will have the

[hohlstrahlrohr training hohlstrahlrohrtraining](#) - Feb 08 2023

web der richtige einatz und die ausbildung an den hohlstrahlrohren wird meist vernachlässigt eine effektive waffe zur brandbekämpfung wird so nicht richtig

[hohlstrahlrohr intensiv seminar heat düsseldorf gmbh](#) - Sep 22 2021

web lernziel die teilnehmer kennen die verschiedenen hohlstrahlrohre nach din en 15182 und können für verschiedene brandszenarien ein hohlstrahlrohr auswählen und

**einsatzvonhohlstrahlrohrenausbildungundpraxi download** - Oct 24 2021

web einatz von hohlstrahlrohren fachw feuerwehr löschwasserförderung stalin löschen mit schaum stalin methoden der realbrandausbildung beschreibt was industrie 4 0

**einsatz von hohlstrahlrohren ausbildung und praxi pdf** - Nov 05 2022

web einatz von hohlstrahlrohren ausbildung und praxi pdf introduction einatz von hohlstrahlrohren ausbildung und praxi pdf download only paranormal encounters

**einsatz von hohlstrahlrohren ausbildung und praxi full pdf** - Jul 01 2022

web einatz von hohlstrahlrohren ausbildung und praxi handbuch für ausbildung und praxis im justizwachtmeisterdienst jun 07 2022 interviews führen apr 24 2021 das

**einsatz von hohlstrahlrohren ausbildung und praxi rc spectrallabs** - Oct 04 2022

web einatz von hohlstrahlrohren ausbildung und praxi 3 3 emerson richardson atemschutz ecomed storck gmbh der autor beschreibt wie die realbrandausbildung

[einsatz von hohlstrahlrohren ausbildung und praxi full pdf](#) - Nov 24 2021

web lebensrettende einatz erfordert eine umfassende technische und taktische ausbildung der besatzungen des  
hubrettungsfahrzeugs in diesem fachbuch werden die

**hohlstrahlrohr ausbildung alles was man wissen** - Jul 13 2023

web may 19 2021 watch on ich habe heute eine ausbildungseinheit zum thema hohlstrahlrohr hsr fragen wie was kann man  
bedienen wie regelt man den

*einsatz von hohlstrahlrohren ausbildung und praxis* - May 31 2022

web zu 400 l min und extreme herausfor einatz von hohlstrahlrohren ausbildung und praxis may 7th 2020 einatz von  
hohlstrahlrohren finden sie alle bucher von holger de

**hohlstrahlrohr training** - Mar 29 2022

web hohl strahl rohr trai ning com uwe frobart am pfgangstanger 27 38304 wolfenbüttel telefon 49 175 3770921 e mail frobart  
gmx at

**hohlstrahlrohr heat düsseldorf gmbh** - Dec 06 2022

web lernziel die teilnehmer kennen die verschiedenen hohlstrahlrohre nach din en 15182 und können für verschiedene  
brandszenarien ein hohlstrahlrohr auswählen und

**einsatz von hohlstrahlrohren ausbildung und praxi 2022** - Dec 26 2021

web einatz von hohlstrahlrohren ausbildung und praxi 1 einatz von hohlstrahlrohren ausbildung und praxi when people  
should go to the ebook stores search

**einsatz von hohlstrahlrohren ausbildung und praxi 2022** - Apr 29 2022

web einatz von hohlstrahlrohren ausbildung und praxi as recognized adventure as without difficulty as experience about  
lesson amusement as well as concurrence can

hohlstrahlrohr training dv brandschutz akademie - Jan 07 2023

web hohlstrahlrohre finden bei den feuerwehren immer mehr einzug leider werden die geräte oft nicht effizient eingesetzt  
die dv brandschutzakademie hat eine möglichkeit für

einsatz von hohlstrahlrohren ausbildung und praxi - May 11 2023

web einatz von hohlstrahlrohren ausbildung und praxi 1 downloaded from old restorativejustice org on 2020 09 01 by guest  
einsatz von hohlstrahlrohren