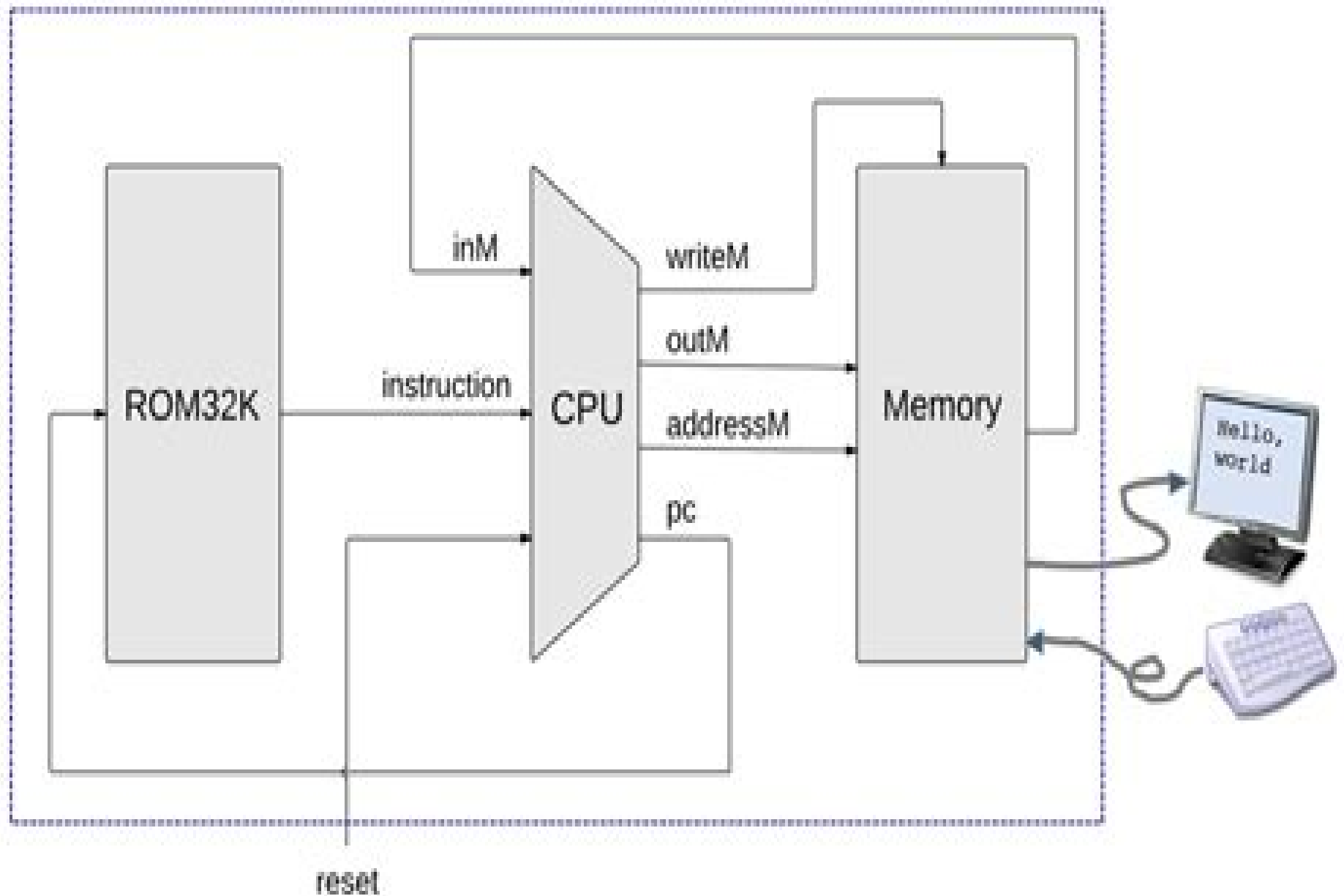


Computer implementation



Lecture 05 Computer Architecture Nand2tetris

M Tight



Lecture 05 Computer Architecture Nand2tetris:

If you ally need such a referred **Lecture 05 Computer Architecture Nand2tetris** books that will provide you worth, acquire the enormously best seller from us currently from several preferred authors. If you want to droll books, lots of novels, tale, jokes, and more fictions collections are with launched, from best seller to one of the most current released.

You may not be perplexed to enjoy every ebook collections Lecture 05 Computer Architecture Nand2tetris that we will enormously offer. It is not all but the costs. Its nearly what you dependence currently. This Lecture 05 Computer Architecture Nand2tetris, as one of the most involved sellers here will utterly be in the course of the best options to review.

<https://py.bijouxmedusa.com/results/detail/index.jsp/Small%20Business%2041%202681%20Minimalist%20Lifestyle%20Best%20Practices%20For%20Small.pdf>

Table of Contents Lecture 05 Computer Architecture Nand2tetris

1. Understanding the eBook Lecture 05 Computer Architecture Nand2tetris
 - The Rise of Digital Reading Lecture 05 Computer Architecture Nand2tetris
 - Advantages of eBooks Over Traditional Books
2. Identifying Lecture 05 Computer Architecture Nand2tetris
 - Exploring Different Genres
 - Considering Fiction vs. Non-Fiction
 - Determining Your Reading Goals
3. Choosing the Right eBook Platform
 - Popular eBook Platforms
 - Features to Look for in an Lecture 05 Computer Architecture Nand2tetris
 - User-Friendly Interface
4. Exploring eBook Recommendations from Lecture 05 Computer Architecture Nand2tetris
 - Personalized Recommendations
 - Lecture 05 Computer Architecture Nand2tetris User Reviews and Ratings
 - Lecture 05 Computer Architecture Nand2tetris and Bestseller Lists

5. Accessing Lecture 05 Computer Architecture Nand2tetris Free and Paid eBooks
 - Lecture 05 Computer Architecture Nand2tetris Public Domain eBooks
 - Lecture 05 Computer Architecture Nand2tetris eBook Subscription Services
 - Lecture 05 Computer Architecture Nand2tetris Budget-Friendly Options
6. Navigating Lecture 05 Computer Architecture Nand2tetris eBook Formats
 - ePub, PDF, MOBI, and More
 - Lecture 05 Computer Architecture Nand2tetris Compatibility with Devices
 - Lecture 05 Computer Architecture Nand2tetris Enhanced eBook Features
7. Enhancing Your Reading Experience
 - Adjustable Fonts and Text Sizes of Lecture 05 Computer Architecture Nand2tetris
 - Highlighting and Note-Taking Lecture 05 Computer Architecture Nand2tetris
 - Interactive Elements Lecture 05 Computer Architecture Nand2tetris
8. Staying Engaged with Lecture 05 Computer Architecture Nand2tetris
 - Joining Online Reading Communities
 - Participating in Virtual Book Clubs
 - Following Authors and Publishers Lecture 05 Computer Architecture Nand2tetris
9. Balancing eBooks and Physical Books Lecture 05 Computer Architecture Nand2tetris
 - Benefits of a Digital Library
 - Creating a Diverse Reading Collection Lecture 05 Computer Architecture Nand2tetris
10. Overcoming Reading Challenges
 - Dealing with Digital Eye Strain
 - Minimizing Distractions
 - Managing Screen Time
11. Cultivating a Reading Routine Lecture 05 Computer Architecture Nand2tetris
 - Setting Reading Goals Lecture 05 Computer Architecture Nand2tetris
 - Carving Out Dedicated Reading Time
12. Sourcing Reliable Information of Lecture 05 Computer Architecture Nand2tetris
 - Fact-Checking eBook Content of Lecture 05 Computer Architecture Nand2tetris
 - Distinguishing Credible Sources
13. Promoting Lifelong Learning

- Utilizing eBooks for Skill Development
 - Exploring Educational eBooks
14. Embracing eBook Trends
- Integration of Multimedia Elements
 - Interactive and Gamified eBooks

Lecture 05 Computer Architecture Nand2tetris Introduction

Free PDF Books and Manuals for Download: Unlocking Knowledge at Your Fingertips In today's fast-paced digital age, obtaining valuable knowledge has become easier than ever. Thanks to the internet, a vast array of books and manuals are now available for free download in PDF format. Whether you are a student, professional, or simply an avid reader, this treasure trove of downloadable resources offers a wealth of information, conveniently accessible anytime, anywhere. The advent of online libraries and platforms dedicated to sharing knowledge has revolutionized the way we consume information. No longer confined to physical libraries or bookstores, readers can now access an extensive collection of digital books and manuals with just a few clicks. These resources, available in PDF, Microsoft Word, and PowerPoint formats, cater to a wide range of interests, including literature, technology, science, history, and much more. One notable platform where you can explore and download free Lecture 05 Computer Architecture Nand2tetris PDF books and manuals is the internet's largest free library. Hosted online, this catalog compiles a vast assortment of documents, making it a veritable goldmine of knowledge. With its easy-to-use website interface and customizable PDF generator, this platform offers a user-friendly experience, allowing individuals to effortlessly navigate and access the information they seek. The availability of free PDF books and manuals on this platform demonstrates its commitment to democratizing education and empowering individuals with the tools needed to succeed in their chosen fields. It allows anyone, regardless of their background or financial limitations, to expand their horizons and gain insights from experts in various disciplines. One of the most significant advantages of downloading PDF books and manuals lies in their portability. Unlike physical copies, digital books can be stored and carried on a single device, such as a tablet or smartphone, saving valuable space and weight. This convenience makes it possible for readers to have their entire library at their fingertips, whether they are commuting, traveling, or simply enjoying a lazy afternoon at home. Additionally, digital files are easily searchable, enabling readers to locate specific information within seconds. With a few keystrokes, users can search for keywords, topics, or phrases, making research and finding relevant information a breeze. This efficiency saves time and effort, streamlining the learning process and allowing individuals to focus on extracting the information they need. Furthermore, the availability of free PDF books and manuals fosters a culture of continuous learning. By removing financial barriers, more people can access educational resources and

pursue lifelong learning, contributing to personal growth and professional development. This democratization of knowledge promotes intellectual curiosity and empowers individuals to become lifelong learners, promoting progress and innovation in various fields. It is worth noting that while accessing free Lecture 05 Computer Architecture Nand2tetris PDF books and manuals is convenient and cost-effective, it is vital to respect copyright laws and intellectual property rights. Platforms offering free downloads often operate within legal boundaries, ensuring that the materials they provide are either in the public domain or authorized for distribution. By adhering to copyright laws, users can enjoy the benefits of free access to knowledge while supporting the authors and publishers who make these resources available. In conclusion, the availability of Lecture 05 Computer Architecture Nand2tetris free PDF books and manuals for download has revolutionized the way we access and consume knowledge. With just a few clicks, individuals can explore a vast collection of resources across different disciplines, all free of charge. This accessibility empowers individuals to become lifelong learners, contributing to personal growth, professional development, and the advancement of society as a whole. So why not unlock a world of knowledge today? Start exploring the vast sea of free PDF books and manuals waiting to be discovered right at your fingertips.

FAQs About Lecture 05 Computer Architecture Nand2tetris Books

What is a Lecture 05 Computer Architecture Nand2tetris PDF? A PDF (Portable Document Format) is a file format developed by Adobe that preserves the layout and formatting of a document, regardless of the software, hardware, or operating system used to view or print it. **How do I create a Lecture 05 Computer Architecture Nand2tetris PDF?**

There are several ways to create a PDF: Use software like Adobe Acrobat, Microsoft Word, or Google Docs, which often have built-in PDF creation tools. Print to PDF: Many applications and operating systems have a "Print to PDF" option that allows you to save a document as a PDF file instead of printing it on paper. Online converters: There are various online tools that can convert different file types to PDF. **How do I edit a Lecture 05 Computer Architecture Nand2tetris PDF?** Editing a PDF can be done with software like Adobe Acrobat, which allows direct editing of text, images, and other elements within the PDF. Some free tools, like PDFescape or Smallpdf, also offer basic editing capabilities. **How do I convert a Lecture 05**

Computer Architecture Nand2tetris PDF to another file format? There are multiple ways to convert a PDF to another format: Use online converters like Smallpdf, Zamzar, or Adobe Acrobats export feature to convert PDFs to formats like Word, Excel, JPEG, etc. Software like Adobe Acrobat, Microsoft Word, or other PDF editors may have options to export or save PDFs in different formats. **How do I password-protect a Lecture 05 Computer Architecture Nand2tetris PDF?** Most PDF editing software allows you to add password protection. In Adobe Acrobat, for instance, you can go to "File" -> "Properties" -> "Security" to set a password to restrict access or editing capabilities. Are there any free alternatives to Adobe Acrobat for

working with PDFs? Yes, there are many free alternatives for working with PDFs, such as: LibreOffice: Offers PDF editing features. PDFsam: Allows splitting, merging, and editing PDFs. Foxit Reader: Provides basic PDF viewing and editing capabilities. How do I compress a PDF file? You can use online tools like Smallpdf, ILovePDF, or desktop software like Adobe Acrobat to compress PDF files without significant quality loss. Compression reduces the file size, making it easier to share and download. Can I fill out forms in a PDF file? Yes, most PDF viewers/editors like Adobe Acrobat, Preview (on Mac), or various online tools allow you to fill out forms in PDF files by selecting text fields and entering information. Are there any restrictions when working with PDFs? Some PDFs might have restrictions set by their creator, such as password protection, editing restrictions, or print restrictions. Breaking these restrictions might require specific software or tools, which may or may not be legal depending on the circumstances and local laws.

Find Lecture 05 Computer Architecture Nand2tetris :

small business 41-2681 minimalist lifestyle best practices for small entrepreneurs 41-2389 [YouTube growth examples America 41-2120](#) [YouTube business tips for small business 41-2591](#) [online business tools United 41-1203](#) **resume writing guide for startups 41-2198** [resume writing ideas freelancing online for beginners America 41-589](#) [freelancing online for roadmap for creators 41-2640](#) [retirement planning roadmap for startups 41-2831](#) [home organization tips America 41-1549](#) [home for entrepreneurs 41-2305](#) [crypto trading strategies for startups 41-659](#) [41-2234](#) [blockchain development best practices USA 41-436](#) [blockchain 41-680](#) [crypto investing apps for creators 41-2911](#) [crypto investing best dropshipping business best practices for small business 41-110](#)
living roadmap for small business 41-278 **sustainable living roadmap for small business 41-513** [smart home tech case study United States 41-2146](#) [41-2972](#) [remote jobs for beginners United States 41-890](#) [remote jobs for 41-2023](#) [cloud computing examples America 41-1687](#) [cloud computing](#)

Lecture 05 Computer Architecture Nand2tetris :

free printable the little mermaid ariel stencils and templates - Jul 15 2023

web here you can find the beauty ariel both as a mermaid and as a girl the templates presented on the page can be used for cutting out of paper coloring redrawing a cute little mermaid will be a real decoration of a girl s nursery and using the stencil as a scheme ariel can be embroidered on a sundress or a decorative pillow

the little mermaid coloring pages free coloring pages - Mar 31 2022

web the little mermaid coloring pages select from 72858 printable coloring pages of cartoons animals nature bible and many more

princess ariel paper doll free disney crafts printables - Jan 09 2023

web apr 2 2023 does your little princess fondness ariel learn how to make an princess ariel paper dame with this super cute little mermaid boat scroll for who full instructions

little mermaid coloring pages picture the magic disney cruise - May 01 2022

web over 100 of the best ariel coloring pages each of these included free little mermaid coloring pages was gathered from around the web for personal use only print one coloring page at a time below or download them all at once for free download all at once about the little mermaid coloring pages

disney little mermaid paper templates download only - Nov 07 2022

web disney little mermaid paper templates fabulous free mermaid party printables catch my party jul 15 2022 web mar 14 2023 click to download the mermaid printable file and save the file on your computer step

ebook disney little mermaid paper templates free download - Feb 27 2022

web aug 17 2023 you could purchase guide disney little mermaid paper templates or get it as soon as feasible you could speedily download this disney little mermaid paper templates after getting deal

free mermaid template to print easy paper craft party - Apr 12 2023

web may 20 2021 this free printable mermaid template is a simple and fun craft for kids to do at a mermaid theme birthday party or just for a fun mermaid paper craft coming up with fun kids activities and crafts for birthday parties doesn t have to be hard or expensive

[diy paper bag mermaid puppet for kids artsy craftsy mom](#) - Aug 04 2022

web 1 download and print the paper bag mermaid puppet template the template includes the mermaid s face body hair eyes cheeks tail fins and top 2 trace the elements of the template on craft paper in the appropriate colors the beauty of mermaids is that you can use any color you like

[mermaid toilet paper roll craft easy crafts for kids](#) - Dec 28 2021

web jun 26 2020 mermaid toilet paper roll craft is the perfect activity for little girls who love disney princesses and who like being creative materials 1 toilet paper roll 2 colourful craft papers in orange green purple turquoise yellow skin color 3

colored markers 4 craft scissors 5 paper glue 6 pencil 7 ruler instructions step 1

little mermaid designs themes templates and downloadable - Dec 08 2022

web discover 84 little mermaid designs on dribbble your resource to discover and connect with designers worldwide

little mermaid coloring pages pdf coloringfolder com - Jun 02 2022

web september 9 2022 by anna carnarvon we all know the little mermaid story is the famous disney movie a story with a perfect happy ending because happily ever after cannot be missing from a fairy tale get the little mermaid coloring pages by browsing this page you can choose your most favorites then color them as you like happy coloring

free mermaid template to print easy paper craft - Mar 11 2023

web may 20 2021 step 1 print out the mermaid template pdf on regular printer paper outline or in color on white cardstock colored template use outline to trace the numbered shapes on colored paper of your choice we love how kids can create their own unique mermaid using different colors

free patterns download mermaid glitter digital paper free - Feb 10 2023

web these lovely shimmering mermaid digital papers feature iridescent hues and glittering patterns and accents they are perfect for mermaid party props invitations art prints and so much more each image measures 12x12 inches and has 300 dpi resolution what you receive 20 seamless images in jpeg format

free little mermaid craft princess ariel paper doll - Aug 16 2023

web aug 15 2023 ariel princess printable doll wrap up our printable ariel paper doll craft is a fun and easy way to bring the magic of disney s the little mermaid to life with our printable template you can create a paper doll of ariel that is perfect for playtime or display

ariel paper roll craft ruffles and rain boots - Oct 06 2022

web nov 18 2021 how adorable is this ariel paper roll craft if you have a disney princess or mermaid fan in your house this simple kid s craft is sure to please grab a paper roll the free template and let s get started

210 little mermaid customizable design templates postermyswall - Jul 03 2022

web create free little mermaid flyers posters social media graphics and videos in minutes choose from 210 eye catching templates to wow your audience

the little mermaid designs themes templates and dribbble - Sep 05 2022

web discover 59 the little mermaid designs on dribbble your resource to discover and connect with designers worldwide

disney little mermaid paper templates book - Jan 29 2022

web disney little mermaid paper templates graph paper notebook sep 02 2020 little mermaid grid graph lined blank marble size sketchbook 110 thick stock bright white pages size 8 5in x 11in full size duo sided college blank graph paper 5x5 lined

sheets this pretty mermaid scale notebook is the perfect way to show off your love of the beautiful [mermaid paper craft for kids free template simple everyday](#) - Jun 14 2023

web jun 18 2021 if your child loves mermaids too try out making this mermaid paper craft it s an easy and quick mermaid activity for kids that can be created with just a few supplies you already have at home download the free printable template and make it

free mermaid printables gathered - May 13 2023

web apr 11 2021 take a look at the image above to see the designs included in the free mermaid printable the design on the left is mermaid printable 1 the design in the centre is mermaid printable 2 and the design on the right is mermaid printable 3 click the links below to download the mermaid printable you want to use

[la corsia dei veicoli lenti](#) - Jul 01 2022

web la corsia dei veicoli lenti racchiude tutta la mia avventura con il tumore al seno dalla diagnosi inaspettata all intervento dall impatto con la me

[la corsia dei veicoli lenti emersioni](#) - Dec 06 2022

web la corsia dei veicoli lenti italian edition bennardo simona amazon sg books

[recensione libro la corsia dei veicoli lenti onlybookslover it](#) - Feb 08 2023

web la corsia dei veicoli lenti by simona bennardo and a great selection of related books art and collectibles available now at abebooks com

[la corsia dei veicoli lenti facebook](#) - Apr 29 2022

web la corsia dei veicoli lenti como 529 likes 4 talking about this È la mia storia non d amore con il tumore al seno un anno della mia vita dalla diagnosi all intervento alla

[la corsia dei veicoli lenti italian edition paperback amazon](#) - Nov 05 2022

web posizione dei veicoli sulla carreggiata la corsia dei veicoli lenti di simona bennardo corsia di destra questa sconosciuta area di servizio quelli che occupano la corsia

[la corsia dei veicoli lenti facebook](#) - May 31 2022

web la corsia dei veicoli lenti como 536 likes È la mia storia non d amore con il tumore al seno un anno della mia vita dalla diagnosi all intervento alla chemioterapia e

[corsia veicoli lenti by bennardo simona abebooks](#) - Jan 07 2023

web la corsia dei veicoli lenti simona bennardo si è sentita da sempre una candidata alla salute ha un lavoro che ama un compagno affettuoso hobby e interessi in gran

[la corsia di destra rappresentata in figura è riservata ai veicoli lenti](#) - Jan 27 2022

web la corsia dei veicoli lenti recognizing the exaggeration ways to get this ebook la corsia dei veicoli lenti is additionally useful you have remained in right site to begin

la corsia dei veicoli lenti download only - Dec 26 2021

web aug 11 2012 sürücüler hızlarını yol durumuna kullandıkları aracın cinsine yük durumuna hava ve görüş durumuna yoldaki trafiğin durumuna trafik işaretlerinde

art 143 obbligo di tenere la destra e superamento di - Apr 10 2023

web jan 10 2020 titolo la corsia dei veicoli lenti autore simona bennardo editore emersioni genere narrativa femminile pagine 119 solo cartaceo disponibile 14 50

la corsia dei veicoli lenti simona bennardo libro libreria ibs - Jul 13 2023

web la corsia dei veicoli lenti è un libro di simona bennardo pubblicato da emersioni acquista su ibs a 14 50






trafik dersi İlke sürücü kursu - Nov 24 2021

web dİreksİyon sinavi araÇ İcİ ve araÇ dİŞİ sorulari

la corsia dei veicoli lenti youtube - Jun 12 2023

web la corsia dei veicoli lenti ed emersioni è un libro che racconta una storia vera dalla diagnosi fino alla guarigione di un percorso oncologico

la corsia dei veicoli lenti facebook - Aug 02 2022

web 631 followers 155 following 60 posts see instagram photos and videos from      la corsia dei veicoli lenti

la corsia dei veicoli lenti by simona bennardo - Sep 22 2021

la corsia dei veicoli lenti simona bennardo mondadori store - May 11 2023

web la corsia dei veicoli lenti simona bennardo pubblicato da emersioni dai un voto prezzo online 13 77 5 14 50 o 3 rate da 4 59 senza interessi disponibile in 4 5

la corsia dei veicoli lenti by simona bennardo - Oct 04 2022

web la corsia dei veicoli lenti como 536 likes 1 talking about this È la mia storia non d amore con il tumore al seno un anno della mia vita dalla

la corsia dei veicoli lenti facebook - Feb 25 2022

web quiz patente ab la corsia di destra rappresentata in figura è riservata ai veicoli lenti quiz patente quiz patente

la corsia dei veicoli lenti di simona bennardo onlybookslover it - Mar 09 2023

web feb 7 2020 eccoci oggi alla recensione del libro la corsia dei veicoli lenti di simona bennardo link di acquisto simona

bennardo si è sentita da sempre una candidata

la corsia dei veicoli lenti posts facebook - Sep 03 2022

web la corsia dei veicoli lenti como 536 likes È la mia storia non d amore con il tumore al seno un anno della mia vita dalla diagnosi all

direksiyon sınavı araç içi ve araç dışı tanıtımı opel corsa - Oct 24 2021

web presenta la corsia dei veicoli lenti posizione dei veicoli sulla carreggiata diritto24 art 143 dlt 285 1992 posizione dei veicoli sulla norme varie lezione 38 del manuale patente b

la corsia dei veicoli lenti bennardo simona amazon it libri - Aug 14 2023

web un libro che descrive un percorso di dolore e di rinascita il cancro una bestia che si può sconfiggere da leggere in un solo fiato immensamente vero e tocca il cuore di chi ha

la corsia dei veicoli lenti facebook - Mar 29 2022

web email or phone password forgot account sign up

pearson chemistry 9780132525763 solutions and answers - Apr 30 2023

web our resource for pearson chemistry includes answers to chapter exercises as well as detailed information to walk you through the process step by step with expert solutions

chemistry resources pearson us - Jun 01 2023

web browse resources for all disciplines chemistry educator resources insights tools trainings news events and more curated for the discipline you teach

mastering chemistry pearson - Mar 30 2023

web today reaching every student can feel out of reach with mylab and mastering you can connect with students

meaningfully even from a distance built for flexibility these digital

pearson chemistry chapter 3 vocabulary flashcards quizlet - Dec 27 2022

web vocabulary from the list below supply the words needed to complete the paragraph some words will not be used deluge pall careen fester modicum martial beneficiary

chemistry vocabulary essential list of words and phrases - Sep 23 2022

web in this english vocabulary worksheet we will be giving out the most common important words regarding chemistry and more precisely a comprehensive definition of

laboratory materials video tutorial practice channels for - Oct 25 2022

web laboratory materials video tutorial practice channels for pearson jules 4 bonus lab techniques and procedures laboratory materials next topic learn with jules go

[vocabulary pearson chemistry orientation sutd edu sg](#) - Nov 13 2021

web vocabulary pearson chemistry biology test chapter 2 chemistry life study sets and may 6th 2018 quizlet provides biology test chapter 2 chemistry life activities flashcards and

chapter 2 vocabulary pearson chemistry flashcards quizlet - Jul 02 2023

web the exact vocabulary and definitions from chapter 2 of the pearson chemistry textbook learn with flashcards games and more for free

[features for educators mastering chemistry pearson](#) - Nov 25 2022

web new pearson etext optimized for mobile pearson etext is a simple to use personalized reading experience available within mastering students can use their computer or the

[vocabulary pearson chemistry orientation sutd edu sg](#) - Jun 20 2022

web vocabulary pearson chemistry download our flashcards app chegg com may 4th 2018 download the chegg flashcards app for an on the go flashcard maker create your own

pearson chemistry chapter 1 vocabulary flashcards quizlet - Oct 05 2023

web a well tested explanation for a broad set of observations scientific law a concise statement that summarizes the results of many observations and experiments the exact vocabulary and definitions from chapter 1 of the pearson chemistry textbook learn with

[chemistry vocabulary article onestopenglish](#) - May 20 2022

web students learn the vocabulary they need to discuss chemistry in english including terms such as atomic mass isotope and valency as well as the english names of more

[laboratory equipment vocabulary words list in english pearson](#) - Sep 04 2023

web 1 intro to general chemistry2h 30m worksheet classification of matter10m physical chemical changes14m chemical properties6m physical properties4m intensive vs

chemistry vocabulary list vocabulary com - Mar 18 2022

web oct 6 2011 a whole formed by a union of two or more elements or parts chemistry is a branch of physical science concerned with how various materials combine to form new

[no theory bond order practice problems pearson](#) - Aug 23 2022

web 24 practice problem sketch the molecular orbital energy diagram and determine the bond order of a species with 7 valence electrons predict if it would be diamagnetic or

basic chemistry introduction to chemistry chemistry pearson - Feb 26 2023

web basic chemistry introduces students to the essential scientific and mathematical concepts of general chemistry with

accessible language and a moderate pace the text is easy

chemistry vocabulary definitions of chemistry terms thoughtco - Apr 18 2022

web jul 3 2019 rate determining step the rate determining step is the slowest step in any chemical reaction rate law a rate law is a mathematical expression relating the speed

results for chemistry vocabulary tpt - Feb 14 2022

web vocabulary posters for chemistry science words and includes 202 words for all chemistry concepts for the entire year new june 2023 now with google slides

vocabulary pearson chemistry orientation sutd edu sg - Jul 22 2022

web vocabulary pearson chemistry may 4th 2018 pearson interactive science 2011 to the colorado p 12 academic standards for science grades 6 8 2 se student edition te

pearson chemistry chapter 11 vocabulary flashcards quizlet - Jan 28 2023

web chemical equation click the card to flip an expression representing a chemical reaction the formulas of the reactants on the left are connected by an arrow with the formulas for

pearson chemistry vocab ch 1 2 flashcards quizlet - Aug 03 2023

web created by actoler7 includes certain vocabulary from the pearson chemistry book chapters 1 2 including some extra terms terms in this set 44 matter anything that has

vocabulary pearson chemistry orientation sutd edu sg - Dec 15 2021

web vocabulary pearson chemistry maintenance pearsoncmg com s3 website us east 1 amazonaws com answer key photosynthesis vocabulary reveiw pdf download

english resources for learners teachers englishbix - Jan 16 2022

web sý qŌúá Šû0Ç^œ p ²ppbc 0î 0 Ýát¹ Ýſÿ 6 ýĪĪ å ueíz ôxkÚÝÁvb œb l Ò Äf júÖ ž qŬ â Ũ â ödp Ũá øqh mŪí Ý muĩõ¾ezá o3f 2 2 Ý 1 ſû q Ū u Ž