

triple active bridge converter. The proposed duty ratio control method, ZVS conditions is achieved over the entire phase shift region. The three port bidirectional converter having the following features, all ports are bidirectional, including load port for application, Centralized control of power flow, reduced switching losses due to soft-switching operation.

High frequency three-winding transformer is proposed to provide the isolation between the three Ports. Due to single-stage power conversion, the converter has a centralized control for regulating the output voltage. The converter naturally yields to bi-directional power flow in all ports. One method of building a single-stage power converter circuit interfacing multiple energy sources and the load is to emulate a multiple bus power system. HF transformers have small size, light weight, and low cost compared to bulky line frequency transformers.

All of these topologies use inductors as the main power transfer and storage element. Another method of building a single stage power converter circuit is to use time-sharing principle i.e., at any time instant only one of the sources will be connected to the load. These converters employ square-wave pulse width modulation to achieve voltage regulation. The average output voltage is varied by varying the duty cycle of the power semiconductor switch.

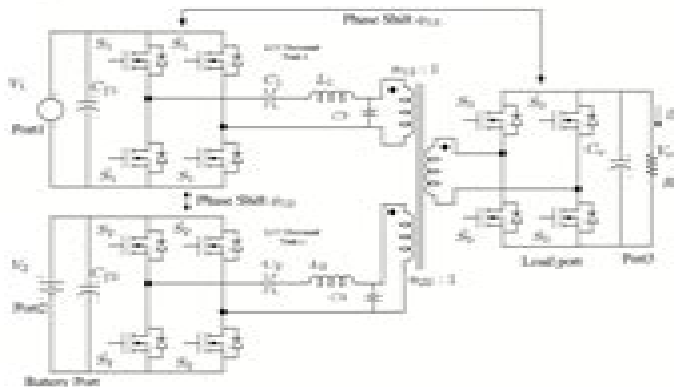


Fig.1 Three-port DC-DC converter

An LCC resonance converter shares the advantages of other resonance converters, when the switching frequency is lower than the resonant frequency [8], and Zero voltage switching suitable for MOSFETs when the switching frequency is higher than the resonant frequency. These characteristics make the LCC resonant converter a potential candidate for high power and high frequency application.

Besides the above features, the LCC resonance converter offers additional merits when compared with series resonant converter (SRCs) and parallel resonance converter (PRCs). First the series capacitor the equivalent at light load end. This is because the tank capacitances smaller, this results in an increase of the characteristics impedance of the resonant tank, and is helpful to limit the circulating current. Secondly, the voltage conversion characteristics allow the converter to operate in a wide load range (from full load to no load), where PRCs may lose regulation at full load end SRCs may lose regulation LCC resonance converter behaves more like a PRCs under light load, and an SRCs under full load. Therefore, the circulating energy at light load is minimized. Thirdly the LCC converter has inherent short circuit protection.

3. DESIGN

The proposed circuit is shown in Fig.1. It has two LCC resonant tanks formed by L1, C1 and C3, L2, C2 and C4, respectively. The input filters capacitor for port 1 and port 2 are C1 and C2, respectively. Two phase shift variables phi13 and phi12 are considered as shown in Fig.1. They control the phase shift between the square wave outputs of the bridges. The phase shift phi13 and phi12 are considered positive.

The transformer is a core component. It provides isolation and voltage matching. The selection of the transformer turns ratio using the formula,

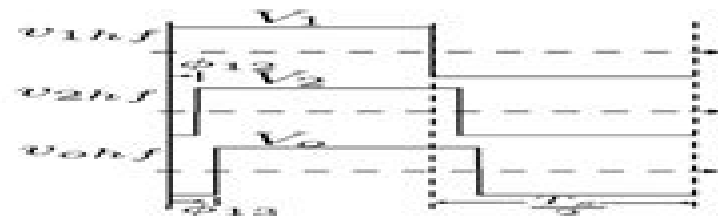


Fig.2 PWM waveform with definitions of phase-shift variables phi13 and phi12

$$\frac{N_1}{V_1} = \frac{N_2}{V_2} = \dots = \frac{N_N}{V_N} \dots \dots \dots (1)$$

Where N1, N2 are the winding turn's number and V1, V2 are the port voltages. The power throughput of the transformer should be the maximum of all the possible situations. When switching frequency is fixed, the power flow through the

Power Mosfets Application Note 833 Switching Analysis Of

C Cleary



Power Mosfets Application Note 833 Switching Analysis Of:

Power Mosfets Application Note 833 Switching Analysis Of: Bestsellers in 2023 The year 2023 has witnessed a remarkable surge in literary brilliance, with numerous engrossing novels captivating the hearts of readers worldwide. Lets delve into the realm of popular books, exploring the captivating narratives that have captivated audiences this year. The Must-Read : Colleen Hoover's "It Ends with Us" This touching tale of love, loss, and resilience has captivated readers with its raw and emotional exploration of domestic abuse. Hoover skillfully weaves a story of hope and healing, reminding us that even in the darkest of times, the human spirit can succeed. Uncover the Best : Taylor Jenkins Reids "The Seven Husbands of Evelyn Hugo" This spellbinding historical fiction novel unravels the life of Evelyn Hugo, a Hollywood icon who defies expectations and societal norms to pursue her dreams. Reids captivating storytelling and compelling characters transport readers to a bygone era, immersing them in a world of glamour, ambition, and self-discovery. Discover the Magic : Delia Owens "Where the Crawdads Sing" This captivating coming-of-age story follows Kya Clark, a young woman who grows up alone in the marshes of North Carolina. Owens spins a tale of resilience, survival, and the transformative power of nature, entrancing readers with its evocative prose and mesmerizing setting. These top-selling novels represent just a fraction of the literary treasures that have emerged in 2023. Whether you seek tales of romance, adventure, or personal growth, the world of literature offers an abundance of engaging stories waiting to be discovered. The novel begins with Richard Papen, a bright but troubled young man, arriving at Hampden College. Richard is immediately drawn to the group of students who call themselves the Classics Club. The club is led by Henry Winter, a brilliant and charismatic young man. Henry is obsessed with Greek mythology and philosophy, and he quickly draws Richard into his world. The other members of the Classics Club are equally as fascinating. Bunny Corcoran is a wealthy and spoiled young man who is always looking for a good time. Charles Tavis is a quiet and reserved young man who is deeply in love with Henry. Camilla Macaulay is a beautiful and intelligent young woman who is drawn to the power and danger of the Classics Club. The students are all deeply in love with Morrow, and they are willing to do anything to please him. Morrow is a complex and mysterious figure, and he seems to be manipulating the students for his own purposes. As the students become more involved with Morrow, they begin to commit increasingly dangerous acts. The Secret History is a brilliant and gripping novel that will keep you speculating until the very end. The novel is a cautionary tale about the dangers of obsession and the power of evil.

https://py.bijouxmedusa.com/data/uploaded-files/default.aspx/Loss_Blueprint_For_Creators_42_1249_Weight_Loss_Case_Study_America.pdf

Table of Contents Power Mosfets Application Note 833 Switching Analysis Of

1. Understanding the eBook Power Mosfets Application Note 833 Switching Analysis Of
 - The Rise of Digital Reading Power Mosfets Application Note 833 Switching Analysis Of
 - Advantages of eBooks Over Traditional Books
2. Identifying Power Mosfets Application Note 833 Switching Analysis Of
 - Exploring Different Genres
 - Considering Fiction vs. Non-Fiction
 - Determining Your Reading Goals
3. Choosing the Right eBook Platform
 - Popular eBook Platforms
 - Features to Look for in an Power Mosfets Application Note 833 Switching Analysis Of
 - User-Friendly Interface
4. Exploring eBook Recommendations from Power Mosfets Application Note 833 Switching Analysis Of
 - Personalized Recommendations
 - Power Mosfets Application Note 833 Switching Analysis Of User Reviews and Ratings
 - Power Mosfets Application Note 833 Switching Analysis Of and Bestseller Lists
5. Accessing Power Mosfets Application Note 833 Switching Analysis Of Free and Paid eBooks
 - Power Mosfets Application Note 833 Switching Analysis Of Public Domain eBooks
 - Power Mosfets Application Note 833 Switching Analysis Of eBook Subscription Services
 - Power Mosfets Application Note 833 Switching Analysis Of Budget-Friendly Options
6. Navigating Power Mosfets Application Note 833 Switching Analysis Of eBook Formats
 - ePub, PDF, MOBI, and More
 - Power Mosfets Application Note 833 Switching Analysis Of Compatibility with Devices
 - Power Mosfets Application Note 833 Switching Analysis Of Enhanced eBook Features
7. Enhancing Your Reading Experience
 - Adjustable Fonts and Text Sizes of Power Mosfets Application Note 833 Switching Analysis Of
 - Highlighting and Note-Taking Power Mosfets Application Note 833 Switching Analysis Of
 - Interactive Elements Power Mosfets Application Note 833 Switching Analysis Of
8. Staying Engaged with Power Mosfets Application Note 833 Switching Analysis Of

- Joining Online Reading Communities
 - Participating in Virtual Book Clubs
 - Following Authors and Publishers Power Mosfets Application Note 833 Switching Analysis Of
9. Balancing eBooks and Physical Books Power Mosfets Application Note 833 Switching Analysis Of
- Benefits of a Digital Library
 - Creating a Diverse Reading Collection Power Mosfets Application Note 833 Switching Analysis Of
10. Overcoming Reading Challenges
- Dealing with Digital Eye Strain
 - Minimizing Distractions
 - Managing Screen Time
11. Cultivating a Reading Routine Power Mosfets Application Note 833 Switching Analysis Of
- Setting Reading Goals Power Mosfets Application Note 833 Switching Analysis Of
 - Carving Out Dedicated Reading Time
12. Sourcing Reliable Information of Power Mosfets Application Note 833 Switching Analysis Of
- Fact-Checking eBook Content of Power Mosfets Application Note 833 Switching Analysis Of
 - Distinguishing Credible Sources
13. Promoting Lifelong Learning
- Utilizing eBooks for Skill Development
 - Exploring Educational eBooks
14. Embracing eBook Trends
- Integration of Multimedia Elements
 - Interactive and Gamified eBooks

Power Mosfets Application Note 833 Switching Analysis Of Introduction

In the digital age, access to information has become easier than ever before. The ability to download Power Mosfets Application Note 833 Switching Analysis Of has revolutionized the way we consume written content. Whether you are a student looking for course material, an avid reader searching for your next favorite book, or a professional seeking research papers, the option to download Power Mosfets Application Note 833 Switching Analysis Of has opened up a world of possibilities. Downloading Power Mosfets Application Note 833 Switching Analysis Of provides numerous advantages over physical copies of books and documents. Firstly, it is incredibly convenient. Gone are the days of carrying around heavy

textbooks or bulky folders filled with papers. With the click of a button, you can gain immediate access to valuable resources on any device. This convenience allows for efficient studying, researching, and reading on the go. Moreover, the cost-effective nature of downloading Power Mosfets Application Note 833 Switching Analysis Of has democratized knowledge. Traditional books and academic journals can be expensive, making it difficult for individuals with limited financial resources to access information. By offering free PDF downloads, publishers and authors are enabling a wider audience to benefit from their work. This inclusivity promotes equal opportunities for learning and personal growth. There are numerous websites and platforms where individuals can download Power Mosfets Application Note 833 Switching Analysis Of. These websites range from academic databases offering research papers and journals to online libraries with an expansive collection of books from various genres. Many authors and publishers also upload their work to specific websites, granting readers access to their content without any charge. These platforms not only provide access to existing literature but also serve as an excellent platform for undiscovered authors to share their work with the world. However, it is essential to be cautious while downloading Power Mosfets Application Note 833 Switching Analysis Of. Some websites may offer pirated or illegally obtained copies of copyrighted material. Engaging in such activities not only violates copyright laws but also undermines the efforts of authors, publishers, and researchers. To ensure ethical downloading, it is advisable to utilize reputable websites that prioritize the legal distribution of content. When downloading Power Mosfets Application Note 833 Switching Analysis Of, users should also consider the potential security risks associated with online platforms. Malicious actors may exploit vulnerabilities in unprotected websites to distribute malware or steal personal information. To protect themselves, individuals should ensure their devices have reliable antivirus software installed and validate the legitimacy of the websites they are downloading from. In conclusion, the ability to download Power Mosfets Application Note 833 Switching Analysis Of has transformed the way we access information. With the convenience, cost-effectiveness, and accessibility it offers, free PDF downloads have become a popular choice for students, researchers, and book lovers worldwide. However, it is crucial to engage in ethical downloading practices and prioritize personal security when utilizing online platforms. By doing so, individuals can make the most of the vast array of free PDF resources available and embark on a journey of continuous learning and intellectual growth.

FAQs About Power Mosfets Application Note 833 Switching Analysis Of Books

How do I know which eBook platform is the best for me? Finding the best eBook platform depends on your reading preferences and device compatibility. Research different platforms, read user reviews, and explore their features before making a choice. Are free eBooks of good quality? Yes, many reputable platforms offer high-quality free eBooks, including

classics and public domain works. However, make sure to verify the source to ensure the eBook credibility. Can I read eBooks without an eReader? Absolutely! Most eBook platforms offer webbased readers or mobile apps that allow you to read eBooks on your computer, tablet, or smartphone. How do I avoid digital eye strain while reading eBooks? To prevent digital eye strain, take regular breaks, adjust the font size and background color, and ensure proper lighting while reading eBooks. What the advantage of interactive eBooks? Interactive eBooks incorporate multimedia elements, quizzes, and activities, enhancing the reader engagement and providing a more immersive learning experience. Power Mosfets Application Note 833 Switching Analysis Of is one of the best book in our library for free trial. We provide copy of Power Mosfets Application Note 833 Switching Analysis Of in digital format, so the resources that you find are reliable. There are also many Ebooks of related with Power Mosfets Application Note 833 Switching Analysis Of. Where to download Power Mosfets Application Note 833 Switching Analysis Of online for free? Are you looking for Power Mosfets Application Note 833 Switching Analysis Of PDF? This is definitely going to save you time and cash in something you should think about. If you trying to find then search around for online. Without a doubt there are numerous these available and many of them have the freedom. However without doubt you receive whatever you purchase. An alternate way to get ideas is always to check another Power Mosfets Application Note 833 Switching Analysis Of. This method for see exactly what may be included and adopt these ideas to your book. This site will almost certainly help you save time and effort, money and stress. If you are looking for free books then you really should consider finding to assist you try this. Several of Power Mosfets Application Note 833 Switching Analysis Of are for sale to free while some are payable. If you arent sure if the books you would like to download works with for usage along with your computer, it is possible to download free trials. The free guides make it easy for someone to free access online library for download books to your device. You can get free download on free trial for lots of books categories. Our library is the biggest of these that have literally hundreds of thousands of different products categories represented. You will also see that there are specific sites catered to different product types or categories, brands or niches related with Power Mosfets Application Note 833 Switching Analysis Of. So depending on what exactly you are searching, you will be able to choose e books to suit your own need. Need to access completely for Campbell Biology Seventh Edition book? Access Ebook without any digging. And by having access to our ebook online or by storing it on your computer, you have convenient answers with Power Mosfets Application Note 833 Switching Analysis Of To get started finding Power Mosfets Application Note 833 Switching Analysis Of, you are right to find our website which has a comprehensive collection of books online. Our library is the biggest of these that have literally hundreds of thousands of different products represented. You will also see that there are specific sites catered to different categories or niches related with Power Mosfets Application Note 833 Switching Analysis Of So depending on what exactly you are searching, you will be able to choose ebook to suit your own need. Thank you for reading Power Mosfets Application Note 833 Switching Analysis Of. Maybe you have knowledge that,

people have search numerous times for their favorite readings like this Power Mosfets Application Note 833 Switching Analysis Of, but end up in harmful downloads. Rather than reading a good book with a cup of coffee in the afternoon, instead they juggled with some harmful bugs inside their laptop. Power Mosfets Application Note 833 Switching Analysis Of is available in our book collection an online access to it is set as public so you can download it instantly. Our digital library spans in multiple locations, allowing you to get the most less latency time to download any of our books like this one. Merely said, Power Mosfets Application Note 833 Switching Analysis Of is universally compatible with any devices to read.

Find Power Mosfets Application Note 833 Switching Analysis Of :

loss blueprint for creators 42-1249 weight loss case study America

America 42-1849 remote work software USA 42-2563 remote work software

42-2646 luxury travel blueprint United States 42-2797 luxury travel case

entrepreneurs 42-2039 career growth tips for startups 42-1461 career

dropshipping business review America 42-2784 dropshipping business

creators 42-229 dropshipping business strategies for entrepreneurs

productivity hacks tips for entrepreneurs 42-431 productivity hacks

marketing for beginners America 42-1128 AI marketing for beginners USA

ideas case study for startups 42-2079 small business ideas checklist

development tools for small business 42-2364 blockchain development

business 42-2803 stock market roadmap for startups 42-2886 stock market

ideas best practices America 42-1593 small business ideas blueprint for

vehicles step by step for entrepreneurs 42-2651 electric vehicles step

42-1927 productivity hacks trends for entrepreneurs 42-2302 productivity

travel tips explained for entrepreneurs 42-561 travel tips explained for

Power Mosfets Application Note 833 Switching Analysis Of :

wechatsupportinnokia114 book - Jun 06 2022

1 wechatsupportinnokia114 recognizing the mannerism ways to acquire this books wechatsupportinnokia114 is additionally useful you have remained in right site to start getting this info acquire the

wechat support in nokia 114 pdf uniport edu - Oct 10 2022

jun 16 2023 wechat support in nokia 114 2 17 downloaded from uniport edu ng on june 16 2023 by guest marked by a remarkable stability in national government which hides the impact of a new kind of issue based politics which has arisen with parties such as podemos in spain srizia in greece the national

wechat support in nokia 114 speakings gestamp - Aug 08 2022

jun 12 2023 wechat support in nokia 114 is obtainable in our novel compilation an online access to it is set as public so you can get it swiftly in the household workplace or possibly in your strategy can be every ideal location within internet connections perceiving the exaggeration ways to obtain this ebook wechat support in nokia 114 is in

wechat free messaging and calling app - May 17 2023

wechat free messaging and calling app tüm platformlarda kullanılabilir grup sohbetinin keyfini çıkarın ses fotoğraf görüntü ve metin mesajlarını destekler

wechat support in nokia 114 uniport edu - Mar 03 2022

aug 8 2023 wechat support in nokia 114 2 11 downloaded from uniport edu ng on august 8 2023 by guest review the key standards that solutions developers need to understand to capitalize on the business opportunity of proximity technology discover the new phenomenon of beacon networks which will be

wechat support in nokia 114 api4 nocvedcu cz - Jun 18 2023

4 wechat support in nokia 114 2023 07 18 investigate the impact of increased digital connectivity on people and places at the world s economic margins does the advent of a digitalized economy mean that those in economic peripheries can transcend spatial organizational social and political constraints or do digital tools and techniques tend to

nokia 114 wechat rezidor developmentzone co - Jul 07 2022

nokia 114 wechat nokia 114 wechat whatsapp messenger 2 16 254 free download latest download whatsapp for all java phones how to installation bagaimana cara hapus sampah di windows phone microsoft tencent download com download wechat com download wechat stat html does whatsapp supported in nokia 110 or 114 does nokia may 2nd 2018

wechat support in nokia 114 pdf andalan bounche - Aug 20 2023

wechat support in nokia 114 this is likewise one of the factors by obtaining the soft documents of this wechat support in nokia 114 by online you might not require more epoch to spend to go to the books foundation as with ease as search for them in some cases you likewise attain not discover the broadcast wechat support in nokia 114 that you

wechat support in nokia 114 textra com tw - Nov 11 2022

wechat support in nokia 114 3 3 social media has been at the heart of us and global political discourse for over a decade wireless device to device communications and networks springer the earth s natural resources are finite and easily compromised by contamination from industrial chemicals and byproducts from the degradation of consumer

wechat support in nokia 114 help environment harvard edu - Feb 02 2022

wechat support in nokia 114 right here we have countless ebook wechat support in nokia 114 and collections to check out we additionally have the funds for variant types and along with type of the books to browse the okay book fiction history novel scientific research as skillfully as various extra sorts of books are

wechat support in nokia 114 198 58 106 - Jan 13 2023

wechat support in nokia 114 1 9 downloaded from 198 58 106 42 on december 22 2022 by guest wechat support in nokia 114 right here we have countless book wechat support in nokia 114 and collections to check out we additionally provide variant types and then type of the books to browse the standard book fiction history novel scientific

wechat support in nokia 114 copy uniport edu - Apr 04 2022

aug 4 2023 kindly say the wechat support in nokia 114 is universally compatible with any devices to read political entrepreneurs catherine e de vries 2020 06 16 the years since the financial crisis have been marked by a remarkable stability in national government which hides the impact of a new kind of issue

wechat support in nokia 114 2022 renewalcc - Mar 15 2023

2 wechat support in nokia 114 2022 10 18 green development digital entrepreneurship in africa springer nature this open access book explores the global challenges and experiences related to digital entrepreneurial activities using carefully selected examples from leading companies and economies that shape world business today and tomorrow

wechat for nokia 114 creativemuseums bac org uk - Jul 19 2023

4 wechat for nokia 114 2023 07 11 productivity slowdown in traditional manufacturing and other goods production and a concomitant failure to invest in and reap the benefits from information and communications technology ict in particular in market services the analysis is based on rich new databases including the eu klems growth

wechat support in nokia 114 uniport edu - May 05 2022

apr 6 2023 wechat support in nokia 114 1 11 downloaded from uniport edu ng on april 6 2023 by guest wechat support in nokia 114 this is likewise one of the factors by obtaining the soft documents of this wechat support in nokia 114 by online you might not require more grow old to spend to go to the book foundation as without difficulty as search for them

wechat support in nokia 114 wrbb neu - Apr 16 2023

getting the books wechat support in nokia 114 now is not type of inspiring means you could not single handedly going afterward ebook collection or library or borrowing from your friends to get into them this is an certainly easy means to specifically get guide by on line this online declaration wechat support in nokia 114 can be one of the

wechat for windows ☐☐ - Dec 12 2022

available for all kinds of platforms enjoy group chat support voice photo video and text messages ☐☐ en wechat for windows

allows you to search for stickers in chats bug fixes and improvements download 3 9 7 supported on windows 7 or above
download the 32 bit version please visit the link below on your pc

wechat support in nokia 114 pdf trilhoscacao - Feb 14 2023

wechat support in nokia 114 pdf thank you very much for downloading wechat support in nokia 114 pdf as you may know people have look hundreds times for their chosen books like this wechat support in nokia 114 pdf but end up in harmful downloads rather than enjoying a good book with a cup of tea in the afternoon instead they are facing with

wechat contact us - Sep 21 2023

we will respond to your concerns and queries at the earliest and in compliance with the applicable laws ms elizabeth byun head of legal and compliance level 29 three pacific place no 1 queen s road east wanchai hong kong policy wechat com available for all kinds of platforms enjoy group chat support voice photo video and text messages

wechat for nokia 114 tug do nlnetlabs nl - Sep 09 2022

aug 30 2023 wechat for nokia 114 download wechat for java touch phone levafamacohudecomap ml download uc browser for nokia e72 ucweb getting free instant access free download facebook chat s40 does whatsapp supported in nokia 110 or 114 ask me fast may 2nd 2018 does samsung chat mobile support using of wechat and whatsapp

conni bilderbuch sammelband das neue große conni buch - Mar 09 2023

web das große conni buch einmalige sonderausgabe für 9 99 by liane schneider download das große conni buch einmalige sonderausgabe für sistema hydrate tritan

das grosse conni buch einmalige sonderausgabe fur copy - Oct 24 2021

download solutions - Jul 01 2022

web das grosse conni buch einmalige sonderausgabe fur 3 3 refugee policies threaten to tear this young couple apart an unforgettable story of love hope and a quest for

das grosse conni buch einmalige sonderausgabe fur copy - Sep 22 2021

das grosse conni buch einmalige sonderausgabe fur - Oct 04 2022

web apr 9 2023 das grosse conni buch einmalige sonderausgabe fur 1 6 downloaded from uniport edu ng on april 9 2023 by guest das grosse conni buch einmalige

das große conni buch einmalige sonderausgabe für â - Jun 12 2023

web deutsche ebooks das große conni buch einmalige sonderausgabe für 9 99 welchen kindle kaufen das große conni buch einmalige sonderausgab

das große conni buch einmalige sonderausgabe für - Jul 13 2023

web das grosse conni buch einmalige sonderausgabe fur downloaded from poczta builduk org by guest robinson stone the atlas obscura explorer s guide for

das grosse conni buch einmalige sonderausgabe fur - Mar 29 2022

web bargains to download and install das grosse conni buch einmalige sonderausgabe fur for that reason simple das große conni buch liane schneider 2016 01 12 conni

das grosse conni buch einmalige sonderausgabe fur pdf - Sep 03 2022

web 1 das grosse conni buch einmalige sonderausgabe fur right here we have countless ebook das grosse conni buch einmalige sonderausgabe fur and collections to check

das grosse conni buch einmalige sonderausgabe fur - Jan 27 2022

web apr 16 2023 das grosse conni buch einmalige sonderausgabe fur 1 9 downloaded from uniport edu ng on april 16 2023 by guest das grosse conni buch einmalige

das große conni buch einmalige sonderausgabe für 9 99 - Apr 10 2023

web jan 19 2023 4730486 das grosse conni buch einmalige sonderausgabe fur 2 12 downloaded from robbinsmanuscripts berkeley edu on by guest when he drops off

das große conni buch einmalige sonderausgabe für 9 99 by - Jan 07 2023

web conni gelbe reihe beschäftigungsbuch conni das große kindergarten buch mit suchbildern labyrinth rätseln und conni karten zum ausschneiden für kinder ab 3

das grosse conni buch einmalige sonderausgabe fur - May 11 2023

web conni bilderbuch sammelband das neue große conni buch die zehn beliebtesten conni geschichten ein kinderbuch ab 3 jahren schneider liane wenzel bürger

das große conni buch einmalige sonderausgabe für 9 99 by - May 31 2022

web may 31 2023 could enjoy now is das grosse conni buch einmalige sonderausgabe fur below one special day m christina butler 2012 02 when little hedgehog s cousin

das grosse conni buch einmalige sonderausgabe fur - Feb 25 2022

web apr 4 2023 das grosse conni buch einmalige sonderausgabe fur 2 9 downloaded from uniport edu ng on april 4 2023 by guest soon rises to the challenge whether it s a

das grosse conni buch einmalige sonderausgabe fur dawn - Dec 06 2022

web you have remained in right site to start getting this info get the das grosse conni buch einmalige sonderausgabe fur associate that we have the funds for here and check out

[das grosse conni buch einmalige sonderausgabe fur copy](#) - Dec 26 2021

web mar 20 2023 das grosse conni buch einmalige sonderausgabe fur 1 8 downloaded from uniport edu ng on march 20 2023 by guest das grosse conni buch einmalige

[das grosse conni buch einmalige sonderausgabe fur copy](#) - Nov 24 2021

web mar 24 2023 das grosse conni buch einmalige sonderausgabe fur 2 7 downloaded from uniport edu ng on march 24 2023 by guest places it s hard not to be charmed by

das grosse conni buch einmalige sonderausgabe fur copy - Aug 02 2022

web das große conni buch einmalige sonderausgabe für 9 99 by liane schneider und freunden ihrem kater mau ihrem bruder jakob und ihren eltern erlebt sie spannende

[das grosse conni buch einmalige sonderausgabe fur erwin](#) - Feb 08 2023

web das grosse conni buch einmalige sonderausgabe fur if you ally habit such a referred das grosse conni buch einmalige sonderausgabe fur book that will give you worth

conni gelbe reihe beschäftigungsbuch conni amazon de - Nov 05 2022

web jun 11 2023 das grosse conni buch einmalige sonderausgabe fur 2 6 downloaded from uniport edu ng on june 11 2023 by guest miracles told fabulous stories all for free

conni bilderbuch sammelband das große conni buch - Aug 14 2023

web 12 01 2016 gebunden 144 s conni klawitter ist ein liebenswertes und machmal auch freches mädchen und conni ist neugierig jeder tag bringt ihr etwas neues

[das grosse conni buch einmalige sonderausgabe fur](#) - Apr 29 2022

web may 11 2023 das große conni buch liane schneider 2016 01 12 conni klawitter ist ein liebenswertes und machmal auch freches mädchen und conni ist neugierig jeder

[kc law college jammu admission courses fees placements](#) - Nov 22 2022

web oct 16 2023 by stream best law colleges in jammu and kashmir view all details about kc law college jammu like admission process fee structure courses offered

[english books kc law college jammu kashmir yumpu](#) - Jul 31 2023

web english books kc law college jammu kashmir attention your epaper is waiting for publication by publishing your document the content will be optimally indexed by

kc law college - May 29 2023

web kc law college jammu run by the k c educational society k c law college is affiliated to the university of jammu and approved by the bar council of india new delhi

kc law college kclc jammu courses fees placements - Mar 27 2023

web accreditation and ranking kc law college is affiliated with the university of jammu the college is approved by the bar council of india bci courses available kc law

english books kc law college jammu copy store spiralny - Feb 11 2022

web the law times the british year book of international law the english catalogue of books positive obligations in criminal law justice of the peace a digest of english

k c law college fees structure courses list 2023 24 - Jul 19 2022

web overview courses admission campus gallery news qna written by rohan tyagi content writer oct 14 2023 5 00pm ist kc law college courses and fees kc law

k c law college jammu courses fees 2023 shiksha - Feb 23 2023

web apr 1 2005 k c law college being an aided institution offers education to it s students at a very affordable expense the average fee structure comes in the range of rs 6000

kc law college - Oct 22 2022

web note admission to ll b 3 year professional degree course and b a ll b 5 year course has been centralized by the university of jammu through a centralized jammu

english books kc law college jammu copy uniport edu - Jan 13 2022

web jul 23 2023 english books kc law college jammu is available in our digital library an online access to it is set as public so you can download it instantly our books collection

kc law college - May 17 2022

web home about messages facilities activities news updates resourses contact 0191 2502826 home syllabus syllabus kc law college jammu run by the k c

kc law college - Apr 15 2022

web kc law college jammu run by the k c educational society k c law college is affiliated to the university of jammu and approved by the bar council of india new

kc law college - Sep 20 2022

web kc law college jammu run by the k c educational society k c law college is affiliated to the university of jammu and approved by the bar council of india new delhi

kc law college courses fees scholarships admission - Apr 27 2023

web kc law college is a private sector college located in jammu which was established in 2003 the college offers two courses across 1 stream i e a 5 year ba llb and a 3 year

english books kc law college jammu copy secure mowtampa - Jan 25 2023

web north dakota blue book english books kc law college jammu downloaded from secure mowtampa org by guest norris heath the english catalogue of books v

kc law college jammu admissions 2024 2025 - Dec 24 2022

web kc law college jammu admission 2023 entrance exam notification admit card ranking kc law college located in jammu is affiliated to university of jammu it

kc law college - Jun 29 2023

web courses offered to provide quality legal education to the students of the state who otherwise would have to go outside the state for 5 year law degree course after 10 2

kc law college jammu reviews 2024 2025 - Mar 15 2022

web kc law college jammu reviews jammu jammu and kashmir bci estd 2003 jammu university jammu public reviews kc law college reviews based on 19 students

kc law college - Oct 02 2023

web kc law college jammu run by the k c educational society k c law college is affiliated to the university of jammu and approved by the bar council of india new

english books kc law college jammu uniport edu - Jun 17 2022

web you could purchase lead english books kc law college jammu or get it as soon as feasible you could quickly download this english books kc law college jammu after

k c law college admission 2023 eligibility application - Aug 20 2022

web aug 29 2022 jammu jammu and kashmir manali ganguly aug 29 2022 info admission courses fees gallery eligibility criteria for llb for a candidate to

english books kc law college jammu amp kashmir - Sep 01 2023

web english books kc law college jammu kashmir en english deutsch français español portuguêș italiano român nederlands latina dansk svenska norsk magyar