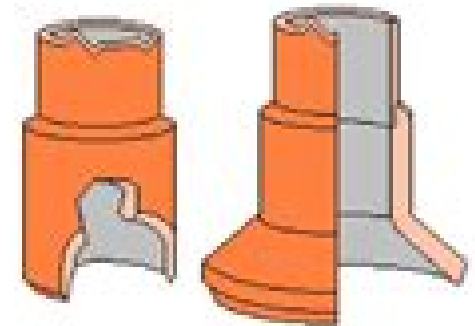


Well COMPLETION

5. OTHERS

5.1 Wireline Entry Guide (WLEG)

- Bottom most tubing accessories.
- Provide easy access for WL tools into tubing.

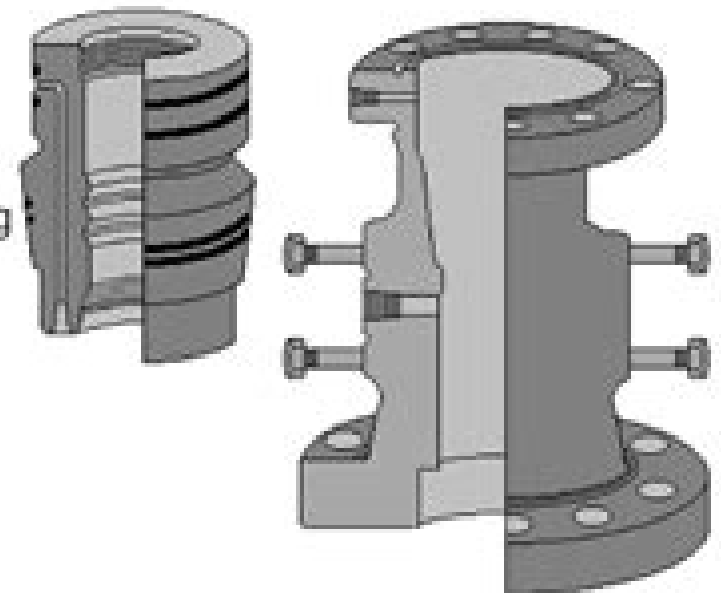


5.2 Perforated Joint

- Eliminate flow restrictions.
- Provide true downhole flow readings.

5.3 Control Line

- Transport hydraulic fluid to SCSSV
- Continuous length & securely clamped on tubing wall.



5.4 Tubing Hanger

- Set in THS , suspend tubing weight & provide sealing.
- BPV Receptacle

Wireline Operations Manual

L Cohen



Wireline Operations Manual:

Standard Handbook of Petroleum and Natural Gas Engineering William C. Lyons, Gary J Plisga BS, 2011-03-15 This new edition of the Standard Handbook of Petroleum and Natural Gas Engineering provides you with the best state of the art coverage for every aspect of petroleum and natural gas engineering With thousands of illustrations and 1 600 information packed pages this text is a handy and valuable reference Written by over a dozen leading industry experts and academics the Standard Handbook of Petroleum and Natural Gas Engineering provides the best most comprehensive source of petroleum engineering information available Now in an easy to use single volume format this classic is one of the true must haves in any petroleum or natural gas engineer s library A classic for the oil and gas industry for over 65 years A comprehensive source for the newest developments advances and procedures in the petrochemical industry covering everything from drilling and production to the economics of the oil patch Everything you need all the facts data equipment performance and principles of petroleum engineering information not found anywhere else A desktop reference for all kinds of calculations tables and equations that engineers need on the rig or in the office A time and money saver on procedural and equipment alternatives application techniques and new approaches to problems

Wireline Operations and Procedures American Petroleum Institute. Division of Production, 1964

Wireline Operations Jack B. Hall, 1988

Wireline Operations and Procedures American Petroleum Institute. Production Department, 1994

Oilfield Survival Guide, Volume One: For All Oilfield Situations Matthew J. Hatami, 2017-01-02 Save Money Time and Lives with the Real World Oil Gas Experience of Others Learning the Hard Way in the Oilfield can Cost You Millions sometimes Billions of Dollars in addition to Injury and Loss of Life Cut Through the Noise to Focus on the Most Critical Aspects of Working in the Oil and Gas Business Based on over 1 000 Oil and Gas Situations involving Drilling Cementing Fracking Wireline Coil Tubing Snubbing Running Tools Welding Production Workover Logging Trucking Geology Land Engineering Resource Development Executive Management and much much more Expand Your Value Creation Opportunities by Learning from the Real World Experience of Others Whether you work in the office or in the field work as a Company Man Engineer Driller Tool Pusher Roughneck Geologist Landman Truck Driver Frac Hand Treater Cementer Lawyer Flowback Hand Welder Geophysicist Snubber Pumper Equipment Operator Derrick Man Mechanic Petrophysicist Roustabout Manager Director VP or Executive consider adding Oilfield Survival Guide to your toolbox of knowledge In other words if you work hard for your money in the oil business this book is for you The oil gas industry is one of the most capital intensive businesses today As a result mistakes situations can be expensive in addition to injury and loss of life To prevent undesirable situations Oilfield Survival Guide was created based on over 1 000 oil gas situations The ultimate guide for all oil and gas situations Tactics Procedures Fatalities Short Stories Train Wrecks Disaster Avoidance Court Cases Life Savings Skills Checklists Troubleshooting Problem Job Prevention Oilfield Survival Guide is the ultimate oil industry resource to help manage oilfield risk and avoid mistakes by increasing your oil and gas knowledge and

intelligence utilizing a variety of methods including Tactics Short and to the point guidelines to reduce risk and instill work principles to be successful in the oil industry from the field to the office Short Stories Experience from the mistakes of others Fatalities Detailed analysis of oil and gas tragedies Court Cases Jury trials expert witness testimony and legal opinions on a variety of oil and gas cases Procedures Step by step process to create oilfield procedures and checklists along with multiple examples Operations Analysis Oil and gas operations post mortem highlighting key learnings practical knowledge useful tips and best practices Over 1 000 oil and gas situations analyzed to create Oilfield Survival Guide *The Practical Handbook of Well Control* Rahman Ashena,2025-02-21 The Practical Handbook of Well Control teaches readers to safeguard well safety and integrity in drilling well engineering Offering an applied and scientific point of view it covers fundamental aspects of well control and includes practical procedures and well control methods for land and offshore operations It features a wealth of questions to commonly encountered problems and comprehensive answers at the end of each topical discussion to test reader comprehension Written in a concise accessible way by experienced oilfield and academic experts Covers all related technical subjects of well control Describes modern aspects of well control including automatic well control advances in outflow measurement artificial intelligence and IoT techniques for early kick detection mud gas separators and riser gas modeling Includes case studies to familiarize readers with real world problems and solutions Offers a full explanation of each problem to familiarize readers with commonly faced issues Features sample exercises with comprehensive answers useful for IWCF and IADC exams This handbook serves as a valuable reference and workbook for field drilling and workover engineers in the energy sector [Policy-Driven Mobile Ad hoc Network Management](#) Ritu Chadha,Latha Kant,2007-10-23 This book should be immensely interesting to those trying to decide what MANET research is worth undertaking and why J Christopher Ramming Program Manager Defense Advanced Research Projects Agency DARPA Strategic Technology Office A thorough comprehensive treatment of mobile ad hoc network management Mobile ad hoc networking is a hot topic gaining importance in both commercial and military arenas Now that the basics in the field have settled and standards are emerging the time is right for a book on management of these networks From two experts in the field Policy Driven Mobile Ad hoc Network Management provides comprehensive coverage of the management challenges associated with mobile ad hoc networks MANETs and includes an in depth discussion of how policy based network management can be used for increasing automation in the management of mobile ad hoc networks This book provides readers with a complete understanding of mobile ad hoc network management and many related topics including Network management requirements for MANETs with an emphasis on the differences between the management requirements for MANETs as compared to static wireline networks The use of policies for managing MANETs to increase automation and to tie together management components via policies Policy conflict detection and resolution Aspects of MANETs that need to be configured and reconfigured at all layers of the protocol stack Methodologies for providing survivability in the face of both hard and soft failures in MANETs The components

of a Quality of Service QoS management solution for MANETs based on the widely used Differentiated Services DiffServ paradigm Important open research issues in the area of MANET management Policy Driven Mobile Ad hoc Network Management is an ideal resource for professionals researchers and advanced graduate students in the field of IP network management who are interested in mobile ad hoc networks

Well Control for Completions and Interventions Howard Crumpton,2018-04-04 Well Control for Completions and Interventions explores the standards that ensure safe and efficient production flow well integrity and well control for oil rigs focusing on the post Macondo environment where tighter regulations and new standards are in place worldwide Too many training facilities currently focus only on the drilling side of the well s cycle when teaching well control hence the need for this informative guide on the topic This long awaited manual for engineers and managers involved in the well completion and intervention side of a well s life covers the fundamentals of design equipment and completion fluids In addition the book covers more important and distinguishing components such as well barriers and integrity envelopes well kill methods specific to well completion and other forms of operations that involve completion like pumping and stimulation including hydraulic fracturing and shale coiled tubing wireline and subsea intervention Provides a training guide focused on well completion and intervention Includes coverage of subsea and fracturing operations Presents proper well kill procedures Allows readers to quickly get up to speed on today s regulations post Macondo for well integrity barrier management and other critical operation components

Proceedings of the International Field Exploration and Development Conference 2023 Jia'en Lin,2024-03-11 This book focuses on reservoir surveillance and management reservoir evaluation and dynamic description reservoir production stimulation and EOR ultra tight reservoir unconventional oil and gas resources technology oil and gas well production testing and geomechanics This book is a compilation of selected papers from the 13th International Field Exploration and Development Conference IFEDC 2023 The conference not only provides a platform to exchanges experience but also promotes the development of scientific research in oil gas exploration and production The main audience for the work includes reservoir engineer geological engineer enterprise managers senior engineers as well as students

Proceedings - Offshore Technology Conference ,1998 **Federal Register** ,1999-07-08 **A Guide to Coalbed Methane Operations** Vicki A. Hollub,Paul S. Schafer,1992 The Oil and Gas Journal ,1930 **Petroleum Engineering Handbook** Howard B. Bradley,Fred W. Gipson,1987 **Proceedings ... SPE Annual Technical Conference and Exhibition** Society of Petroleum Engineers (U.S.). Technical Conference and Exhibition,1992 **The Standard and Poor's 500 Guide** Standard & Poor's,2005-12 Text and statistical data on 500 individual companies Drilling International ,1967 Petroleum Engineer International ,1982 **Petroleum Engineering Handbook** Larry W. Lake,2006 The Petroleum Engineering Handbook has long been recognized as a valuable comprehensive reference book that offers practical day to day applications for students and experienced engineering professionals alike The Petroleum Engineering Handbook is now a series of 7

volumes Volume IV Production Operations Engineering will bring readers up to date in the areas of design equipment selection and operation procedures for most oil and gas wells Chapters cover three main topic areas well completions problems caused by formation damage and artificial lift a major concern for production engineers **Training Manual** United States. Army. Signal Corps,1925

Yeah, reviewing a books **Wireline Operations Manual** could grow your close connections listings. This is just one of the solutions for you to be successful. As understood, achievement does not suggest that you have extraordinary points.

Comprehending as skillfully as union even more than further will pay for each success. adjacent to, the declaration as well as sharpness of this Wireline Operations Manual can be taken as well as picked to act.

<https://py.bijouxmedusa.com/results/book-search/HomePages/analyse%20av%20en%20nouvelle.pdf>

Table of Contents Wireline Operations Manual

1. Understanding the eBook Wireline Operations Manual
 - The Rise of Digital Reading Wireline Operations Manual
 - Advantages of eBooks Over Traditional Books
2. Identifying Wireline Operations Manual
 - Exploring Different Genres
 - Considering Fiction vs. Non-Fiction
 - Determining Your Reading Goals
3. Choosing the Right eBook Platform
 - Popular eBook Platforms
 - Features to Look for in an Wireline Operations Manual
 - User-Friendly Interface
4. Exploring eBook Recommendations from Wireline Operations Manual
 - Personalized Recommendations
 - Wireline Operations Manual User Reviews and Ratings
 - Wireline Operations Manual and Bestseller Lists
5. Accessing Wireline Operations Manual Free and Paid eBooks
 - Wireline Operations Manual Public Domain eBooks
 - Wireline Operations Manual eBook Subscription Services

- Wireline Operations Manual Budget-Friendly Options
- 6. Navigating Wireline Operations Manual eBook Formats
 - ePub, PDF, MOBI, and More
 - Wireline Operations Manual Compatibility with Devices
 - Wireline Operations Manual Enhanced eBook Features
- 7. Enhancing Your Reading Experience
 - Adjustable Fonts and Text Sizes of Wireline Operations Manual
 - Highlighting and Note-Taking Wireline Operations Manual
 - Interactive Elements Wireline Operations Manual
- 8. Staying Engaged with Wireline Operations Manual
 - Joining Online Reading Communities
 - Participating in Virtual Book Clubs
 - Following Authors and Publishers Wireline Operations Manual
- 9. Balancing eBooks and Physical Books Wireline Operations Manual
 - Benefits of a Digital Library
 - Creating a Diverse Reading Collection Wireline Operations Manual
- 10. Overcoming Reading Challenges
 - Dealing with Digital Eye Strain
 - Minimizing Distractions
 - Managing Screen Time
- 11. Cultivating a Reading Routine Wireline Operations Manual
 - Setting Reading Goals Wireline Operations Manual
 - Carving Out Dedicated Reading Time
- 12. Sourcing Reliable Information of Wireline Operations Manual
 - Fact-Checking eBook Content of Wireline Operations Manual
 - Distinguishing Credible Sources
- 13. Promoting Lifelong Learning
 - Utilizing eBooks for Skill Development
 - Exploring Educational eBooks
- 14. Embracing eBook Trends

-
- Integration of Multimedia Elements
 - Interactive and Gamified eBooks

Wireline Operations Manual Introduction

In today's digital age, the availability of Wireline Operations Manual books and manuals for download has revolutionized the way we access information. Gone are the days of physically flipping through pages and carrying heavy textbooks or manuals. With just a few clicks, we can now access a wealth of knowledge from the comfort of our own homes or on the go. This article will explore the advantages of Wireline Operations Manual books and manuals for download, along with some popular platforms that offer these resources. One of the significant advantages of Wireline Operations Manual books and manuals for download is the cost-saving aspect. Traditional books and manuals can be costly, especially if you need to purchase several of them for educational or professional purposes. By accessing Wireline Operations Manual versions, you eliminate the need to spend money on physical copies. This not only saves you money but also reduces the environmental impact associated with book production and transportation. Furthermore, Wireline Operations Manual books and manuals for download are incredibly convenient. With just a computer or smartphone and an internet connection, you can access a vast library of resources on any subject imaginable. Whether you're a student looking for textbooks, a professional seeking industry-specific manuals, or someone interested in self-improvement, these digital resources provide an efficient and accessible means of acquiring knowledge. Moreover, PDF books and manuals offer a range of benefits compared to other digital formats. PDF files are designed to retain their formatting regardless of the device used to open them. This ensures that the content appears exactly as intended by the author, with no loss of formatting or missing graphics. Additionally, PDF files can be easily annotated, bookmarked, and searched for specific terms, making them highly practical for studying or referencing. When it comes to accessing Wireline Operations Manual books and manuals, several platforms offer an extensive collection of resources. One such platform is Project Gutenberg, a nonprofit organization that provides over 60,000 free eBooks. These books are primarily in the public domain, meaning they can be freely distributed and downloaded. Project Gutenberg offers a wide range of classic literature, making it an excellent resource for literature enthusiasts. Another popular platform for Wireline Operations Manual books and manuals is Open Library. Open Library is an initiative of the Internet Archive, a nonprofit organization dedicated to digitizing cultural artifacts and making them accessible to the public. Open Library hosts millions of books, including both public domain works and contemporary titles. It also allows users to borrow digital copies of certain books for a limited period, similar to a library lending system. Additionally, many universities and educational institutions have their own digital libraries that provide free access to PDF books and manuals. These libraries often offer academic texts, research papers, and technical manuals, making them invaluable resources for students and researchers.

Some notable examples include MIT OpenCourseWare, which offers free access to course materials from the Massachusetts Institute of Technology, and the Digital Public Library of America, which provides a vast collection of digitized books and historical documents. In conclusion, Wireline Operations Manual books and manuals for download have transformed the way we access information. They provide a cost-effective and convenient means of acquiring knowledge, offering the ability to access a vast library of resources at our fingertips. With platforms like Project Gutenberg, Open Library, and various digital libraries offered by educational institutions, we have access to an ever-expanding collection of books and manuals. Whether for educational, professional, or personal purposes, these digital resources serve as valuable tools for continuous learning and self-improvement. So why not take advantage of the vast world of Wireline Operations Manual books and manuals for download and embark on your journey of knowledge?

FAQs About Wireline Operations Manual Books

How do I know which eBook platform is the best for me? Finding the best eBook platform depends on your reading preferences and device compatibility. Research different platforms, read user reviews, and explore their features before making a choice. Are free eBooks of good quality? Yes, many reputable platforms offer high-quality free eBooks, including classics and public domain works. However, make sure to verify the source to ensure the eBook credibility. Can I read eBooks without an eReader? Absolutely! Most eBook platforms offer webbased readers or mobile apps that allow you to read eBooks on your computer, tablet, or smartphone. How do I avoid digital eye strain while reading eBooks? To prevent digital eye strain, take regular breaks, adjust the font size and background color, and ensure proper lighting while reading eBooks. What the advantage of interactive eBooks? Interactive eBooks incorporate multimedia elements, quizzes, and activities, enhancing the reader engagement and providing a more immersive learning experience. Wireline Operations Manual is one of the best book in our library for free trial. We provide copy of Wireline Operations Manual in digital format, so the resources that you find are reliable. There are also many Ebooks of related with Wireline Operations Manual. Where to download Wireline Operations Manual online for free? Are you looking for Wireline Operations Manual PDF? This is definitely going to save you time and cash in something you should think about. If you trying to find then search around for online. Without a doubt there are numerous these available and many of them have the freedom. However without doubt you receive whatever you purchase. An alternate way to get ideas is always to check another Wireline Operations Manual. This method for see exactly what may be included and adopt these ideas to your book. This site will almost certainly help you save time and effort, money and stress. If you are looking for free books then you really should consider finding to assist you try this. Several of Wireline Operations Manual are for sale to free while some are payable. If you arent sure if the books you would

like to download works with for usage along with your computer, it is possible to download free trials. The free guides make it easy for someone to free access online library for download books to your device. You can get free download on free trial for lots of books categories. Our library is the biggest of these that have literally hundreds of thousands of different products categories represented. You will also see that there are specific sites catered to different product types or categories, brands or niches related with Wireline Operations Manual. So depending on what exactly you are searching, you will be able to choose e books to suit your own need. Need to access completely for Campbell Biology Seventh Edition book? Access Ebook without any digging. And by having access to our ebook online or by storing it on your computer, you have convenient answers with Wireline Operations Manual To get started finding Wireline Operations Manual, you are right to find our website which has a comprehensive collection of books online. Our library is the biggest of these that have literally hundreds of thousands of different products represented. You will also see that there are specific sites catered to different categories or niches related with Wireline Operations Manual So depending on what exactly you are searching, you will be able to choose ebook to suit your own need. Thank you for reading Wireline Operations Manual. Maybe you have knowledge that, people have search numerous times for their favorite readings like this Wireline Operations Manual, but end up in harmful downloads. Rather than reading a good book with a cup of coffee in the afternoon, instead they juggled with some harmful bugs inside their laptop. Wireline Operations Manual is available in our book collection an online access to it is set as public so you can download it instantly. Our digital library spans in multiple locations, allowing you to get the most less latency time to download any of our books like this one. Merely said, Wireline Operations Manual is universally compatible with any devices to read.

Find Wireline Operations Manual :

[analyse av en novelle](#)

amma magan tamil otha kathai xwtxlifugroup

[another day lyrics](#)

answers to science fusion holt mcdougal

[an introduction to brain and behavior](#)

anatomy trains myofascial meridians for and movement therapists 3e

[an unfinished life john f kennedy 1917 1963 robert dallek](#)

~~[anatomy upper limb past questions and answers](#)~~

an analysis of south african grade 9 natural sciences

~~[amyotrophic lateral sclerosis progress and perspectives in basic research and clinical application proceedings of the 11th](#)~~

tokyo metropolitan tmin in international congress series

angels we have heard on high easy piano sheet music in f major

ancillary sword imperial radch 2 ann leckie

analog fundamentals 10th edition floyd solutions

an introduction to geotechnical engineering 2nd edition 2nd second edition by holtz robert d kovacs william d

sheahan thomas c published by prentice hall 2010

ancient rhetorics their differences and the differences

Wireline Operations Manual :

the betel chewing traditions in south east asia images of asia - Jul 20 2022

web feb 24 1994 the book is a revelation to readers who have heard about chewing betel maybe traveled to south south east asia but not known why lots of people have black teeth this book is well done has lots of pictures and is fascinating

betel chewing traditions in south east asia - Aug 01 2023

web 21 pics bibliography lectures betel chewing in south east asia the role of ceramics in betel chewing rituals in thailand papers betel chewing in vietnam its past and current importance by nguyễn xuân hiên courtesy of professor othmar gaechter editor in chief of anthropos

betel chewing traditions in south east asia rooney dawn - Jun 30 2023

web betel chewing traditions in south east asia by rooney dawn publication date 1993 topics betel chewing betel nut decoration and ornament publisher kuala lumpur new york oxford university press

betel chewing traditions in south east asia images 2023 - Mar 16 2022

web art trade and cultural mediation in asia 1600 1950 golden silk smoke the betel nut tree mystery some aspects of south pacific ethnopsychiatry with special reference to papua and new guinea christ in south pacific cultures betel quid and areca nut chewing and some areca nut derived nitrosamines betel chewing traditions in

betel chewing traditions in south east asia images - Feb 12 2022

web betel chewing traditions in south east asia dawn rooney 1993 betel chewing is one of the most ancient and widespread traditions of the peoples of south east asia and encompasses an estimated one tenth of the world s population

a bite of history betel chewing in singapore national library - May 30 2023

web oct 1 2020 the archaeological and linguistic records found in southern india strongly suggest that the areca palm and betel vine piper betle came from southeast asia probably from the second millennium bce onwards 6 through centuries of maritime trade and migration betel chewing and its accompanying botanical material spread

betel chewing traditions in south east asia worldcat org - Feb 24 2023

web summary betel chewing is one of the most ancient and widespread traditions of the peoples of south east asia and encompasses an estimated one tenth of the world s population this study traces the origin of the custom and examines the significance of

understanding betel nut use in prehistoric southeast asia - Apr 28 2023

web feb 7 2022 the seed of the betel nut areca catechu l fig 1 is chewed as a stimulant narcotic throughout south asia southeast asia and the pacific islands betel chewing is believed to be a practice that dates back to the prehistoric period and some archaeological evidence exists to support this such as teeth staining found in archaeological contexts

the tradition of betel chewing in southeast asia rcb auctions - Apr 16 2022

web jul 15 2021 for centuries inhabitants of southeast asia enjoyed betel chewing as a social pastime the earliest evidence dates betel usage back to 10 000 bc where remains of the areca plant were found in a cave in thailand and betel chewing to 3000 bc when skeletons were found with blackening teeth in the philippines

betel chewing in vietnam its past and current importance - Oct 23 2022

web author confirmed few traditions in south east asia have the antiquity and universal acceptance of betel chewing the custom is over 2 000 years old and has survived from ancient times into the 20th century rooney 1993 1 in vietnam betel chewing is an age old custom too this country is not situated in the domestica

betel nut chewing wikipedia - Sep 02 2023

web betel nut chewing also called betel quid chewing or areca nut chewing is a practice in which areca nuts also called betel nuts are chewed together with slaked lime and betel leaves for their stimulant and narcotic effects the practice is widespread in southeast asia micronesia island melanesia and south asia

betel chewing in south east asia rooneyarchive net - Jan 26 2023

web betel chewing in south east asia the east in addition to material evidence the oral traditions of south east asia give insight into the origins of betel the symbolical use of betel in cambodia for example can be traced to a legendary prince prah thong who marries a serpent princess she gives the prince a betel quid as a pledge of her

betel nut use the south asian story pubmed - Sep 21 2022

web background few traditions in south asia have the antiquity and universal acceptance of betel quid and areca nut chewing its popularity dates back to ancient times in the south asian community with a foundation based on four factors i e social acceptability religious beliefs perceived he span

betel chewing traditions in south east asia dawn f rooney - Jun 18 2022

web a customary way of court in g a prospective bride amongst the iban people in malaysia takes place en members of the

house are asleep with betel leaves and areca nut he enters the bilik or apartment of his prospective bride s family goes to her bedside awakens her and engages a romantic conversation

betel chewing traditions in south east asia google books - Mar 28 2023

web betel chewing traditions in south east asia dawn rooney oxford university press 1993 asia southeastern 76 pages betel chewing is one of the most ancient and widespread traditions of the peoples of south east asia and encompasses an estimated one tenth of the world s population

the betel chewing tradition in south east asia images of asia - May 18 2022

web buy the betel chewing tradition in south east asia images of asia series by rooney dawn isbn 9780195886207 from amazon s book store everyday low prices and free delivery on eligible orders the betel chewing tradition in south east asia images of asia series amazon co uk rooney dawn 9780195886207 books

betel chewing traditions in south east asia - Nov 23 2022

web betel chewing traditions in south east asia

color plates from betel chewing traditions in southeast asia - Dec 25 2022

web color illustrations and captions from betel chewing traditions in southeast asia betel chewing traditions in asia the black and white pictures that appear in the book are integrated with the text

betel nut use the south asian story request pdf - Aug 21 2022

web jun 1 2020 intercountry prevalences and practices of betel quid use in south southeast and eastern asia regions and associated oral preneoplastic disorders an international collaborative study by asian

betel chewing traditions in south east asia - Oct 03 2023

web images of asia betel chewing traditions in south east asia betel chewing traditions in south east asia4 titles in the series indonesian batik processes patterns and places sylvia fraser lu javanese gamelan 2nd edn jennifer lindsay javanese shadow puppets ward keeler the kris mystic weapon of the malay

arms armour in the collection of her majesty the queen - Aug 01 2022

web jun 15 2016 arms armour in the collection of her majesty the queen a v b norman ian eaves royal collection trust volume 1 european armour 2016 6 15 544 hardcover isbn 9781905686483

arms armour in the collection of her majesty the queen european armour - Mar 28 2022

web sep 20 2023 armour in the collection of her majesty the queen buy arms and armour in the collection of her majesty the arms amp armour the rothschild archive download masterpieces of european arms and armour in the arms amp armour in the collection of her majesty the queen european arms

arms armour in the collection of her majesty the queen - Oct 03 2022

web volume 1 european armour is the first catalog to offer a comprehensive inventory of this substantial and historically significant collection in more than one hundred years

arms and armour in the collection of her majesty the queen - Mar 08 2023

web find 9781905686483 arms and armour in the collection of her majesty the queen european armour by norman et al at over 30 bookstores buy rent or sell buy rent arms and armour in the collection of her majesty the queen european armour author s a v b norman ian eaves published 2016

arms armour in the collection of her majesty the quee - Sep 14 2023

web mar 15 2016 volume 1 european armour is the first catalog to offer a comprehensive inventory of this subs arms armour in the collection of her majesty the queen volume i european armour by a v b norman goodreads

arms and armour royal collection trust - Oct 15 2023

web in the collection of her majesty the queen european armour ian eaves and a v b norman 528 pages quite apart from the texts which are as uncompromisingly extensive thorough and detailed as anyone could hope for arms and armour in the collection of her majesty the queen european armour is gorgeous visually tobias capwell the

holdings arms armour in the collection of her majesty the queen - Sep 02 2022

web arms and armour in the collection of her majesty the queen arms and armor in the collection of her majesty the queen arms armor in the collection of her majesty the queen european armour european armor other authors contributors norman a v b alexander vesey bethune 1930 1998 eaves ian 1947 blackmore howard l isbn

arms and armour in the collection of her majesty - Feb 07 2023

web among the highlights of the collection are imposing sets of greenwich armor created in the sixteenth century for henry viii and sir christopher hatton an exceptionally beautiful set of armor created in the early seventeenth century for henry prince of wales and an ornate field garniture belonging to julius duke of brunswick a fine example o

arms armour in the collection of her majesty the queen - Nov 04 2022

web this volume on the royal collection s european arms and armour will provide the first catalogue of this substantial and important collection of historic weapons for more than a hundred years highlights of volume i include the famous set of armour made for henry viii in around 1540 and the exceptionally beautiful armour made for henry

arms armour in the collection of her majesty the george - Apr 28 2022

web arms armour in the collection of her majesty the queen alexander vesey bethune norman 2016 volume 1 european armour is the first catalog to offer a comprehensive inventory of this substantial and historically significant collection in more than one hundred years among the highlights of the collection

ebook arms and armour in the collection of her majesty the queen - Feb 24 2022

web download or read book arms and armour in the collection of her majesty the queen written by a v b norman and published by royal collection this book was released on 2016 with total page 517 pages available in pdf epub and kindle

arms armour in the collection of her majesty the queen - Jul 12 2023

web jun 15 2016 arms armour in the collection of her majesty the queen volume i european armour norman a v b eaves ian on amazon com free shipping on qualifying offers arms armour in the collection of her majesty the queen volume i european armour

field armor of king henry viii of england reigned 1509 47 - Jun 30 2022

web field armor of king henry viii of england reigned 1509 47 this impressive armor was made for henry viii reigned 1509 47 toward the end of his life when he was overweight and crippled with gout constructed for use both on horse and on foot it was probably worn by the king during his last military campaign the siege of boulogne in

arms and armour in the collection of her majesty the queen - Apr 09 2023

web arms and armour in the collection of her majesty the queen volume i by a v b norman ian eaves 2016 royal collection enterprises limited edition in english

armor of henry herbert 1534 1601 second earl of pembroke - May 30 2022

web arms armour in the collection of her majesty the queen european armour 1st ed ed london royal collection trust 2016 pp 137 143 southwick leslie the greenwich armour of henry frederick prince of wales and others presented to and commissioned by the prince between 1604 and 1612

arms armour in the collection of her majesty the queen - Dec 05 2022

web among the highlights of the collection are imposing sets of greenwich armor created in the sixteenth century for henry viii and sir christopher hatton an exceptionally beautiful set of armor created in the early seventeenth century for henry prince of wales and an ornate field garniture belonging to julius duke of brunswick a fine example o

arms armour in the collection of her majesty the queen - May 10 2023

web arms armour in the collection of her majesty the queen volume i european armour by norman a v b eaves ian isbn 10 190568648x isbn 13 9781905686483 royal collection trust 2016 hardcover

new catalogue of arms and armour from royal collection trust - Jun 11 2023

web arms and armour in the collection of her majesty the queen european armour published by royal collection trust covers over 250 items from complete armours to spurs stirrups and saddles among the most celebrated items in the collection is an armour garniture made for henry viii in around 1540 on display at windsor castle

arms armour in the collection of her majesty the queen - Aug 13 2023

web apr 18 2016 buy arms armour in the collection of her majesty the queen european armour 01 by norman a v b eaves ian isbn 9781905686483 from amazon s book store everyday low prices and free delivery on eligible orders

[arms armour in the collection of her majesty the queen](#) - Jan 06 2023

web this volume on the royal collection s european arms and armour will provide the first catalogue of this substantial and important collection of historic weapons for more than a hundred years highlights of volume i include the famous set of armour made for henry viii in around 1540 and the exceptionally beautiful armour made for henry

last minute hno fit fürs examen in 2 tagen plus im web - Jun 13 2023

web nov 11 2013 last minute optimale prüfungsvorbereitung in letzter minute so gehen sie sicher und selbstbewusst ins hammerexamen langbeschreibung der band hno der last minute reihe ist die allroundwaffe von medizinstudenten im 2

last minute hno book summary reviews z lib - Feb 26 2022

web discover last minute hno book an intriguing read explore last minute hno in z library and find free summary reviews read online quotes related books ebook resources

bestill billige ferier flyreiser hotell og storbyferier lastminute - Jun 01 2022

web planlegg din neste reise med no lastminute com vi tilbyr fantastiske ferietilbud gode tilbud på hotell flyreiser turer og storbyferier bestill online og spar nå

last minute flights from hercegnovi to istanbul tickets com tr - May 12 2023

web sep 4 2022 cheap flight tickets hercegnovi istanbul hercegnovi istanbul ticket prices all discounts and special offers from airlines are on the tickets com tr

book cheap holidays flights hotels city breaks lastminute com - Apr 30 2022

web your holiday starts here flight hotel departure destination leaving on mon 11 sept thu 14 sept travellers rooms and flight class 2 travellers 1 room any class

last minute hno amazon co uk books - Apr 11 2023

web langbeschreibung der band hno der last minute reihe ist die allroundwaffe von medizinstudenten im examen sie bieten gezielte stoffwiederholung zur vorbereitung auf die große prüfung am ende des klinischen studienabschnitts

[last minute hno von florian c uecker lehmanns de](#) - Dec 07 2022

web der band hno der last minute reihe ist die allroundwaffe von medizinstudenten im examen er bietet gezielte stoffwiederholung zur vorbereitung auf die große prüfung am ende des klinischen studienabschnitts

nöroloji İstanbul hastaneleri - Jan 08 2023

web nöroloji bölümü beyin omurilik beyin sapı sinir sistemi kas hastalıklarını inceleyen tedavi eden teşhis koyan tıp alanıdır nöroloji bölümü sinir sistemi üzerinde meydana gelen fizyolojik ve anatomik değişimleri inceler oldukça fazla hastalığın

teşhisini ve tedavisini gerçekleştiren bölüm cerrahi

tahlil sonuçları için hasta dosya no nedir - Mar 30 2022

web jun 30 2017 Öncelikle geçmiş olsun bir an önce sağlığınıza kavuşmanızı dileriz hastanelerde tahlil yaptırdıktan sonra size tahlil sonuçlarınıza internet üzerinden bakabileceğiniz söylenir internet üzerinden ilgili hastaneyi bulup giriş yapmak istediğinizde sisteme online olabilmemiz için dosya no hasta kabul no protokol no barkod numarası

cheap flights from herceg novi to istanbul skyscanner - Dec 27 2021

web looking for a cheap flight to istanbul find the best deals on flights from herceg novi hno to istanbul ist compare prices from hundreds of major travel agents and airlines all in one search

last minute hno kağıt kapak 11 kasım 2013 amazon com tr - Aug 15 2023

web last minute hno uecker florian c uecker kathleen amazon com tr kitap Çerez tercihlerinizi seçin Çerez bildirimimizde ayrıntılı şekilde açıklandığı üzere alışveriş yapmanızı sağlamak alışveriş deneyiminizi iyileştirmek ve hizmetlerimizi sunmak için gerekli olan çerezleri ve benzer araçları kullanırız

hastane poliklinik hizmetlerinin hafta içi ve hafta sonu hizmet - Aug 03 2022

web hafta İçi poliklinik saatleri 08 30 16 30 hafta içi ve hafta sonu acil servis 7 24 kesintisiz hizmet vermektedir

last minute hno orell füssli - Oct 05 2022

web jetzt online bestellen heimlieferung oder in filiale last minute hno von florian c uecker kathleen uecker orell füssli der buchhändler ihres vertrauens

die 3 besten hno bücher 2023 super empfehlungen approbatio - Jul 02 2022

web may 12 2022 last minute hno zum buch 1 basics hals nasen ohren heilkunde das basics hno liefert ihnen den perfekten Überblick über die gesamte bandbreite der hals nasen ohren heilkunde es bietet einen umfassenden einblick von den physiologischen und anatomischen grundlagen über die j edes thema in kleinen häppchen auf je einer

İstanbul herceg novi arası ucuz uçak biletleri skyscanner - Feb 09 2023

web skyscanner da İstanbul herceg novi arası ucuz uçak biletleri bulun hno ist arası uçuşunuzda en iyi fırsatlarla rezervasyon yapın

last minute hno paperback 11 nov 2013 amazon de - Mar 10 2023

web langbeschreibung der band hno der last minute reihe ist die allroundwaffe von medizinstudenten im examen sie bieten gezielte stoffwiederholung zur vorbereitung auf die große prüfung am ende des klinischen studienabschnitts

arcus amazon com tr - Jul 14 2023

web arcus amazon com tr

nöroloji İstanbul yorumları incele ve randevu al doktortakvimi - Nov 06 2022

web ginza lavinya park barış mahallesi belediye caddesi no 30 a blok 25 beylikdüzü İstanbul bullet harita dr deniz mataracı
Çevik nöroloji kliniği

last minute hno uecker florian c uecker kathleen - Sep 04 2022

web nov 11 2013 last minute hno von uecker florian c uecker kathleen verkaufsran78inmedizin pharmazie

cheap flights from istanbul to herceg novi skyscanner - Jan 28 2022

web aug 29 2023 looking for a cheap last minute deal or the best return flight from istanbul to herceg novi find the lowest prices on one way and return tickets right here sorry we can t find any flight deals flying from istanbul to herceg novi right now