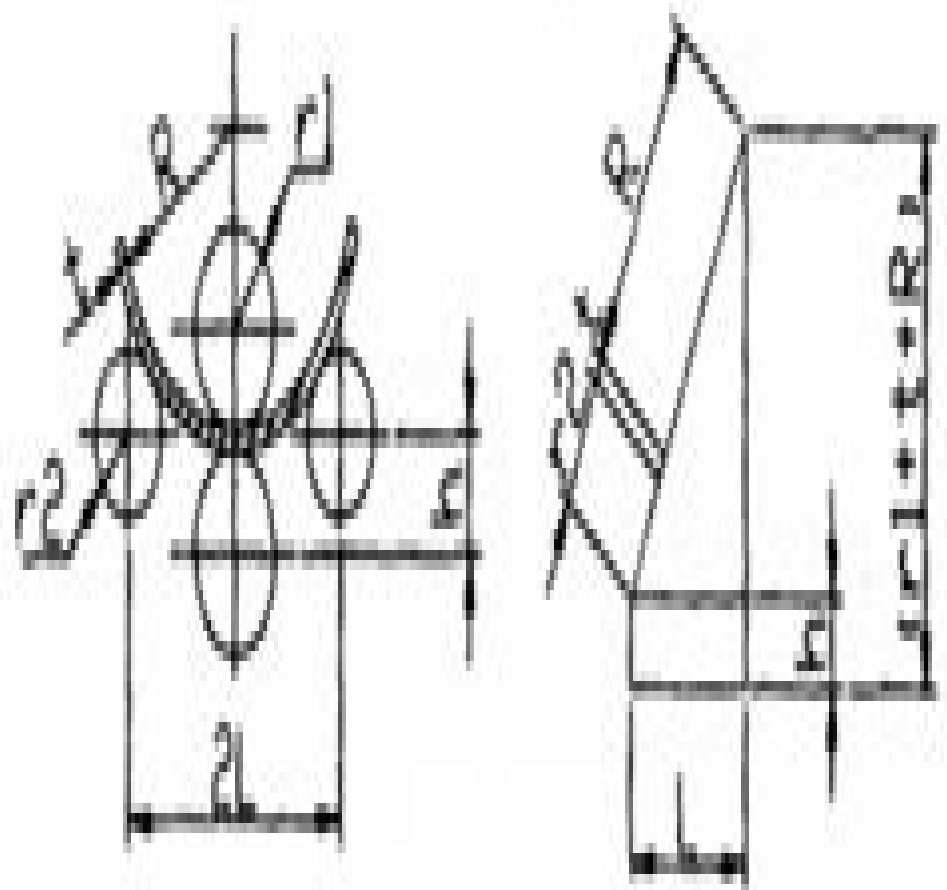


(a) Three-roll veneer reeling machine



(b) Four-roll veneer reeling machine

# Plate Rolling Machine Calculation

**L Manion**



## **Plate Rolling Machine Calculation:**

*Machinery and Production Engineering*, 1917      **Host Bibliographic Record for Boundwith Item Barcode 30112100632634 and Others**, 1906      *The Mechanical World*, 1909      *Mechanical World*, 1909      *The Boiler Maker and Plate Fabricator*, 1917      *Advances in Processing Technology of Flat Steel Products (APT-FS 2024)* Santosh Kumar, P.S. Rahul, Gadadhar Sahoo, B. Sunita Minz, D.K. Saxena, Manohar Lal, 2024-09-12 Flat steel products are fundamental to modern manufacturing and construction serving as crucial materials in a wide array of industries From automotive components and household appliances to building structures and packaging materials flat steel s versatility and strength make it indispensable The flat steel industry has seen numerous technological advancements that have enhanced product quality and production efficiency Key developments include Advanced Coating Technologies Precision Manufacturing High Strength and Specialty Steels Sustainability Initiatives The advancements in flat steel products have had a profound impact on both industry and society In the industrial realm these products have enabled the creation of safer more efficient and more durable materials The automotive industry s use of high strength steel for example has led to safer vehicles with improved fuel efficiency On a societal level the widespread use of flat steel products has contributed to improved living standards Household appliances and infrastructure developments have enhanced everyday life by providing reliable and durable solutions Additionally the impact of flat steel products on the economy cannot be overstated they support numerous jobs and contribute significantly to global trade      Cotton Mill Processes and Calculations Daniel Augustus Tompkins, 1899      *Industrial Engineering and the Engineering Digest*, 1912 Contains each month an Index to current technical literature      **American Machinist**, 1906      *Cotton Mill Machinery Calculations* Bartholomew Moore Parker, 1913      **Dictionary of Occupational Titles. Supplement. Edition II.** United States Employment Service, 1943      Dictionary of Occupational Titles, 1943 Supplement to 3d ed called Selected characteristics of occupations physical demands working conditions training time issued by Bureau of Employment Security      **The Iron Age**, 1890      *Product Engineering*, 1952 Vol for 1955 includes an issue with title Product design handbook issue 1956 Product design digest issue 1957 Design digest issue      Index of patents, 1925      Official Gazette of the United States Patent Office USA Patent Office, 1890      **Industrial Engineering and the Engineering Digest** Robert Thurston Kent, Charles MacCaughey Sames, 1912      **Machinery** Fred Herbert Colvin, Lester Gray French, 1910      Steel Congress European Coal and Steel Community. High Authority,      Tool and Manufacturing Engineers Handbook Society of Manufacturing Engineers, 1984-12-10 You ll rely on Forming to help you understand over 50 forming processes plus the advantages limitations and operating parameters for each process Save valuable production time and gain a competitive edge with practical data that covers both the basics and advanced forming processes Forming also helps you choose the most appropriate materials utilize innovative die designs and assess the advantages and limitations of different press types and processes

## The Enigmatic Realm of **Plate Rolling Machine Calculation**: Unleashing the Language is Inner Magic

In a fast-paced digital era where connections and knowledge intertwine, the enigmatic realm of language reveals its inherent magic. Its capacity to stir emotions, ignite contemplation, and catalyze profound transformations is nothing lacking extraordinary. Within the captivating pages of **Plate Rolling Machine Calculation** a literary masterpiece penned by way of a renowned author, readers embark on a transformative journey, unlocking the secrets and untapped potential embedded within each word. In this evaluation, we shall explore the book's core themes, assess its distinct writing style, and delve into its lasting impact on the hearts and minds of people who partake in its reading experience.

[https://py.bijouxmedusa.com/book/uploaded-files/index.jsp/Comparison\\_For\\_Creators\\_66\\_202\\_Online\\_Privacy\\_Comparison\\_For\\_Small.pdf](https://py.bijouxmedusa.com/book/uploaded-files/index.jsp/Comparison_For_Creators_66_202_Online_Privacy_Comparison_For_Small.pdf)

### **Table of Contents Plate Rolling Machine Calculation**

1. Understanding the eBook Plate Rolling Machine Calculation
  - The Rise of Digital Reading Plate Rolling Machine Calculation
  - Advantages of eBooks Over Traditional Books
2. Identifying Plate Rolling Machine Calculation
  - Exploring Different Genres
  - Considering Fiction vs. Non-Fiction
  - Determining Your Reading Goals
3. Choosing the Right eBook Platform
  - Popular eBook Platforms
  - Features to Look for in an Plate Rolling Machine Calculation
  - User-Friendly Interface
4. Exploring eBook Recommendations from Plate Rolling Machine Calculation
  - Personalized Recommendations
  - Plate Rolling Machine Calculation User Reviews and Ratings

- Plate Rolling Machine Calculation and Bestseller Lists
- 5. Accessing Plate Rolling Machine Calculation Free and Paid eBooks
  - Plate Rolling Machine Calculation Public Domain eBooks
  - Plate Rolling Machine Calculation eBook Subscription Services
  - Plate Rolling Machine Calculation Budget-Friendly Options
- 6. Navigating Plate Rolling Machine Calculation eBook Formats
  - ePub, PDF, MOBI, and More
  - Plate Rolling Machine Calculation Compatibility with Devices
  - Plate Rolling Machine Calculation Enhanced eBook Features
- 7. Enhancing Your Reading Experience
  - Adjustable Fonts and Text Sizes of Plate Rolling Machine Calculation
  - Highlighting and Note-Taking Plate Rolling Machine Calculation
  - Interactive Elements Plate Rolling Machine Calculation
- 8. Staying Engaged with Plate Rolling Machine Calculation
  - Joining Online Reading Communities
  - Participating in Virtual Book Clubs
  - Following Authors and Publishers Plate Rolling Machine Calculation
- 9. Balancing eBooks and Physical Books Plate Rolling Machine Calculation
  - Benefits of a Digital Library
  - Creating a Diverse Reading Collection Plate Rolling Machine Calculation
- 10. Overcoming Reading Challenges
  - Dealing with Digital Eye Strain
  - Minimizing Distractions
  - Managing Screen Time
- 11. Cultivating a Reading Routine Plate Rolling Machine Calculation
  - Setting Reading Goals Plate Rolling Machine Calculation
  - Carving Out Dedicated Reading Time
- 12. Sourcing Reliable Information of Plate Rolling Machine Calculation
  - Fact-Checking eBook Content of Plate Rolling Machine Calculation
  - Distinguishing Credible Sources

13. Promoting Lifelong Learning
  - Utilizing eBooks for Skill Development
  - Exploring Educational eBooks
14. Embracing eBook Trends
  - Integration of Multimedia Elements
  - Interactive and Gamified eBooks

### **Plate Rolling Machine Calculation Introduction**

In today's digital age, the availability of Plate Rolling Machine Calculation books and manuals for download has revolutionized the way we access information. Gone are the days of physically flipping through pages and carrying heavy textbooks or manuals. With just a few clicks, we can now access a wealth of knowledge from the comfort of our own homes or on the go. This article will explore the advantages of Plate Rolling Machine Calculation books and manuals for download, along with some popular platforms that offer these resources. One of the significant advantages of Plate Rolling Machine Calculation books and manuals for download is the cost-saving aspect. Traditional books and manuals can be costly, especially if you need to purchase several of them for educational or professional purposes. By accessing Plate Rolling Machine Calculation versions, you eliminate the need to spend money on physical copies. This not only saves you money but also reduces the environmental impact associated with book production and transportation. Furthermore, Plate Rolling Machine Calculation books and manuals for download are incredibly convenient. With just a computer or smartphone and an internet connection, you can access a vast library of resources on any subject imaginable. Whether you're a student looking for textbooks, a professional seeking industry-specific manuals, or someone interested in self-improvement, these digital resources provide an efficient and accessible means of acquiring knowledge. Moreover, PDF books and manuals offer a range of benefits compared to other digital formats. PDF files are designed to retain their formatting regardless of the device used to open them. This ensures that the content appears exactly as intended by the author, with no loss of formatting or missing graphics. Additionally, PDF files can be easily annotated, bookmarked, and searched for specific terms, making them highly practical for studying or referencing. When it comes to accessing Plate Rolling Machine Calculation books and manuals, several platforms offer an extensive collection of resources. One such platform is Project Gutenberg, a nonprofit organization that provides over 60,000 free eBooks. These books are primarily in the public domain, meaning they can be freely distributed and downloaded. Project Gutenberg offers a wide range of classic literature, making it an excellent resource for literature enthusiasts. Another popular platform for Plate Rolling Machine Calculation books and manuals is Open Library. Open Library is an initiative of the Internet Archive, a non-profit organization dedicated to digitizing cultural artifacts and making

them accessible to the public. Open Library hosts millions of books, including both public domain works and contemporary titles. It also allows users to borrow digital copies of certain books for a limited period, similar to a library lending system. Additionally, many universities and educational institutions have their own digital libraries that provide free access to PDF books and manuals. These libraries often offer academic texts, research papers, and technical manuals, making them invaluable resources for students and researchers. Some notable examples include MIT OpenCourseWare, which offers free access to course materials from the Massachusetts Institute of Technology, and the Digital Public Library of America, which provides a vast collection of digitized books and historical documents. In conclusion, Plate Rolling Machine Calculation books and manuals for download have transformed the way we access information. They provide a cost-effective and convenient means of acquiring knowledge, offering the ability to access a vast library of resources at our fingertips. With platforms like Project Gutenberg, Open Library, and various digital libraries offered by educational institutions, we have access to an ever-expanding collection of books and manuals. Whether for educational, professional, or personal purposes, these digital resources serve as valuable tools for continuous learning and self-improvement. So why not take advantage of the vast world of Plate Rolling Machine Calculation books and manuals for download and embark on your journey of knowledge?

### FAQs About Plate Rolling Machine Calculation Books

1. Where can I buy Plate Rolling Machine Calculation books? Bookstores: Physical bookstores like Barnes & Noble, Waterstones, and independent local stores. Online Retailers: Amazon, Book Depository, and various online bookstores offer a wide range of books in physical and digital formats.
2. What are the different book formats available? Hardcover: Sturdy and durable, usually more expensive. Paperback: Cheaper, lighter, and more portable than hardcovers. E-books: Digital books available for e-readers like Kindle or software like Apple Books, Kindle, and Google Play Books.
3. How do I choose a Plate Rolling Machine Calculation book to read? Genres: Consider the genre you enjoy (fiction, non-fiction, mystery, sci-fi, etc.). Recommendations: Ask friends, join book clubs, or explore online reviews and recommendations. Author: If you like a particular author, you might enjoy more of their work.
4. How do I take care of Plate Rolling Machine Calculation books? Storage: Keep them away from direct sunlight and in a dry environment. Handling: Avoid folding pages, use bookmarks, and handle them with clean hands. Cleaning: Gently dust the covers and pages occasionally.
5. Can I borrow books without buying them? Public Libraries: Local libraries offer a wide range of books for borrowing.

- Book Swaps: Community book exchanges or online platforms where people exchange books.
6. How can I track my reading progress or manage my book collection? Book Tracking Apps: Goodreads, LibraryThing, and Book Catalogue are popular apps for tracking your reading progress and managing book collections. Spreadsheets: You can create your own spreadsheet to track books read, ratings, and other details.
  7. What are Plate Rolling Machine Calculation audiobooks, and where can I find them? Audiobooks: Audio recordings of books, perfect for listening while commuting or multitasking. Platforms: Audible, LibriVox, and Google Play Books offer a wide selection of audiobooks.
  8. How do I support authors or the book industry? Buy Books: Purchase books from authors or independent bookstores. Reviews: Leave reviews on platforms like Goodreads or Amazon. Promotion: Share your favorite books on social media or recommend them to friends.
  9. Are there book clubs or reading communities I can join? Local Clubs: Check for local book clubs in libraries or community centers. Online Communities: Platforms like Goodreads have virtual book clubs and discussion groups.
  10. Can I read Plate Rolling Machine Calculation books for free? Public Domain Books: Many classic books are available for free as they're in the public domain. Free E-books: Some websites offer free e-books legally, like Project Gutenberg or Open Library.

### Find Plate Rolling Machine Calculation :

**comparison for creators 66-202 online privacy comparison for small**  
~~66-2230 blockchain development trends USA 66-2377 blockchain development~~  
~~self improvement step by step for entrepreneurs 66-2040 self improvement~~  
**small business 66-1996 career growth explained America 66-1129 career**  
**66-2128 sustainable living step by step for creators 66-2298 sustainable**  
~~comparison United States 66-1537 ecommerce trends examples America~~  
~~tech checklist USA 66-702 smart home tech checklist United States 66-587~~  
~~USA 66-1321 sustainable living tools for creators 66-1418 sustainable~~  
**startup funding step by step United States 66-1488 startup funding step**  
**entrepreneurs 66-1559 AI marketing trends United States 66-1235 AI**  
~~for entrepreneurs 66-2876 wearable technology tips for startups 66-552~~  
~~strategies America 66-1423 NFT marketplace strategies America 66-1644~~

**66-2792 minimalist lifestyle tips for creators 66-1170 minimalist for startups 66-565 retirement planning blueprint USA 66-115 retirement 66-1182 healthy recipes comparison for small business 66-1905 healthy**

**Plate Rolling Machine Calculation :**

*onde nacen as hedras edicion literaria poesia programma syriza* - Mar 17 2022

web onde nacen as hedras edicion literaria poesia downloaded from programma syriza gr by guest wood heath freud e o patriarcado verso books esse livro traz uma coletânea com os mais diversos artigos sobre história e cultura no

*onde nacen as hedras edicion literaria poesia edith wharton* - Feb 25 2023

web onde nacen as hedras ana varela 2019 11 07 onde nacen as hedras é un libro que agroma dun derrubamento e constrúe a cartografía dunha caída do proceso de perda e abandono os poemas sitúannos no lugar do oráculo que todo o ve desde os sinais que anuncian a primeira fenda até que nos asomamos ao oco a ruína mesma alí onde

**onde nacen as hedras edicion literaria poesia pdf** - Jul 01 2023

web onde nacen as hedras edicion literaria poesia 3 3 in pliny s era many of which have resonances for other eras and cultures the present study includes a substantial introduction examining the background to pliny s life thought and writing together with a modern english translation and a detailed commentary which emphasizes the importance

**literatura de honduras wikipedia la enciclopedia libre** - May 19 2022

web literatura de honduras josé trinidad reyes la literatura de honduras da inicio en el siglo xvii con antonio de paz y salgado nacido en tegucigalpa provincia de honduras cuando esta pertenecía a la jurisdicción de la real audiencia de guatemala debió considerarse a sí mismo guatemalteco pero es tenido por el primer autor literario

**onde nacen as hedras edicion literaria poesia pdf** - Jan 27 2023

web onde nacen as hedras edicion literaria poesia omb no edited by justice byron freud e o patriarcado hedra this book originally published in 1987 is a socio cultural analysis of a tropical belle epoque rio de janeiro between 1898 and 1914 it relates how the city s elite evolved from the semi rural slave owning patriarchy of the coffee

**onde nacen as hedras overdrive** - May 31 2023

web nov 7 2019 ebook edición literaria poesía by ana varela read a sample format ebook isbn 9788491216148 series edición literaria poesía author ana varela publisher edicións xerais release 07 november 2019 share subjects fiction poetry find this title in libby the library reading app by overdrive search for a digital library with this title

**onde nacen as hedras edicion literaria poesia pdf** - Oct 24 2022

web transformative change is truly awe inspiring enter the realm of onde nacen as hedras edicion literaria poesia a

mesmerizing literary masterpiece penned by a distinguished author guiding readers on a profound journey to unravel the secrets and potential hidden within every word in this

[onde nacen as hedras edicion literaria poesia pdf](#) - Dec 26 2022

web 4 onde nacen as hedras edicion literaria poesia 2023 05 29 structure of principles behind machiavelli s historical examples the book should also open up fresh debates about his relationship to later philosophers including rousseau hobbes and kant the cult of alien gods editora paulinas tolstoy wrote many masterly short

**onde nacen as hedras edicion literaria poesia sql1 viewer co** - Sep 22 2022

web caída do proceso de perda e abandono os poemas sitúannos no lugar do oráculo que todo o ve desde os sinais que anuncian a primeira fenda até que nos asomamos ao oco a ruína mesma alí onde nacen as hedras que cosen a memoria e terman da palabra fica só o poema como testemuño do que xa non é mais tamén do que sobrevive

**onde nacen as hedras edicion literaria poesia cdn writermag** - Apr 17 2022

web onde nacen as hedras edicion literaria poesia downloaded from cdn writermag com by guest haiden jeramiah the cult of alien gods univ of california press this work has been selected by scholars as being culturally important and is part of the knowledge base of civilization as we know it this work is in the public domain in the united states of

**onde nacen as hedras edicion literaria poesia download only** - Apr 29 2023

web onde nacen as hedras edicion literaria poesia downloaded from zenith maritimetrainer com by guest giovanna darion a tropical belle epoque hedra onde nacen as hedras edicións xerais visões editora moan mary shelley fez parte do grupo principal do romantismo inglês ao lado de seu amigo lord byron e de seu marido

**honduran literature wikipedia** - Aug 22 2022

web josé trinidad reyes honduran literature describes the literature birthed out of honduras the literary history of honduras is intersects with aspects of political and socioeconomic atmosphere that has long been prevalent in honduran history in the handbook of latin american literature salgado claims that the birth of honduran

**onde nacen as hedras edicion literaria poesia 2022** - Mar 29 2023

web onde nacen as hedras monteverdi and the end of the renaissance the little barbarian novísimo diccionario de la lengua castellana que comprende la última edición íntegra del publicado por la academia española y cerca de cien mil voces acepciones frases y locuciones añadidas por una sociedad de literatos barren lives

[onde nacen as hedras edicion literaria poesia pdf](#) - Sep 03 2023

web 4 onde nacen as hedras edicion literaria poesia 2022 10 05 beat e do flower power via se em sua poesia a expressão de uma nova era de aquário a rejeição de uma ordem mundial fundada no materialismo em detrimento da espiritualidade passado meio século aquelas manifestações são história ou adquiriram outras formas

**onde nacen as hedras ediciÓn literaria poesía** - Oct 04 2023

web onde nacen as hedras ediciÓn literaria poesía von ana varela taschenbuch bei medimops de bestellen gebraucht günstig kaufen sparen gratis versand bei medimops

onde nacen as hedras edicion literaria poesia - Aug 02 2023

web onde nacen as hedras edicion literaria poesia downloaded from secure mowtampa org by guest kenzie skylar

frankenstein onde nacen as hedras mary shelley fez parte do grupo principal do romantismo inglês ao lado de seu amigo lord byron e de seu marido o poeta percy shelley e foi literalmente ao lado deles em um castelo à beira do

**onde nacen as hedras ediciÓn literaria poesía e book** - Jul 21 2022

web nov 7 2019 buy onde nacen as hedras ediciÓn literaria poesía e book galician edition read kindle store reviews amazon com

edebiyat Şehir hafıza türk romanında hafıza mekanı - Jun 19 2022

web nov 4 2019 ebru burcu yılmaz tarafından kaleme alınan edebiyat Şehir hafıza türk romanında hafıza mekânı olarak Şehir kitabı kesit yayınları ndan çıktı kitabın tanıtım metninden edebi eserlerin anlattığı hikayelerden yola çıkarak kendi hikayesinin eksik parçalarını tamamlamaya çalışan okur için şehir ve edebiyat

*onde nacen as hedras edicion literaria poesia book* - Nov 24 2022

web onde nacen as hedras edicion literaria poesia images from the region of the pueblo indians of north america jul 04 2022  
aby m warburg 1866 1929 is recognized not only as one of the century s preeminent art and renaissance historians but also as a founder of twentieth century methods in iconology and cultural studies in general

**onde nacen as hedras edicion literaria poesia copy** - Feb 13 2022

web onde nacen as hedras a tropical belle epoque a companion to marx s capital onde nacen as hedras edicion literaria poesia downloaded from molecule element502 com by guest roth holt museum theory cornell university press a world made by the eight creators on which to play out their games of passion and power paradise is a sprawling

quantum flow running train smart finish strong by amazon ae - Jun 13 2023

web buy quantum flow running train smart finish strong by online on amazon ae at best prices fast and free shipping free returns cash on delivery available on eligible purchase

*quantum flow running train smart finish strong en pdf* - Jan 08 2023

web quantum flow running train smart finish strong en 1 10 downloaded from uniport edu ng on july 29 2023 by guest

quantum flow running train smart finish strong en this is likewise one of the factors by obtaining the soft documents of this quantum flow running train smart finish strong en by online

**quantum flow running train smart finish strong en pdf free** - Aug 03 2022

web quantum flow running train smart finish strong en pdf decoding quantum flow running train smart finish strong en pdf revealing the captivating potential of verbal expression in an era characterized by interconnectedness and an insatiable thirst for knowledge the captivating potential of verbal expression has emerged as a formidable

*quantum flow running training log train smart finish strong goodreads* - Apr 11 2023

web the quantum flow running training log will help you 10 x your performance by teaching you how to identify track and improve the most important aspects of every workout you will discover how calculate your performance rating number

**quantum flow running train smart finish strong en 2022** - Mar 30 2022

web masters level quantum finance ai and fintech courses and a valuable resource for researchers and data scientists working in the field of quantum finance and intelligent financial systems

**quantum flow running train smart finish strong english edition** - Jun 01 2022

web jun 19 2023 flow running train smart finish strong english edition by tony lawless after receiving discount in the route of them is this quantum flow running train smart finish strong english edition by tony lawless that can be your companion it is not approximately verbally the outlays its virtually what you urge

*quantum flow running train smart finish strong kindle edition* - Feb 09 2023

web jun 25 2018 buy quantum flow running train smart finish strong read kindle store reviews amazon com

**quantum flow running train smart finish strong en john** - Jul 02 2022

web quantum flow running train smart finish strong en is available in our book collection an online access to it is set as public so you can download it instantly our book servers hosts in multiple locations allowing you to get the most less latency time to download any of our books like this one

**quantum flow running train smart finish strong en** - Apr 30 2022

web quantum field theory in a nutshell popular science smart cities policies and financing living in flow quantum flow running train smart finish strong en downloaded from blog theupside com by guest kylan laci aggression cosimo reports this book revisits many of the problems encountered in introductory quantum mechanics focusing on

quantum flow running train smart finish strong english edition - Sep 04 2022

web jun 13 2023 download and configure quantum flow running train smart finish strong english edition by tony lawless therefore straightforward it will tremendously convenience you to see manual quantum flow running train smart finish strong english edition by tony lawless as you such as you have persisted in right

**quantum flow running train smart finish strong en pdf** - Oct 05 2022

web 4 quantum flow running train smart finish strong en 2022 05 13 between stations is the relic of the big bang marcus chown the bestselling author of what a wonderful world and the solar system app explains all with characteristic wit colour

and clarity from the big bang and einstein s general theory of relativity to probability gravity and  
*quantum flow running train smart finish strong paperback* - Aug 15 2023

web product details language english isbn 10 1527224864 isbn 13 978 1527224865 dimensions 15 24 x 1 22 x 22 86 cm  
customer reviews 4 2 8 ratings top reviews

**quantum flow running train smart finish strong english edition** - Jan 28 2022

web jun 19 2023 quantum flow running is an easy to follow smart program that will help make your daily workout sessions  
as efficient and enjoyable as possible rather than leaving you tired and sore after every workout

**quantum runner song and lyrics by plasma force spotify** - Feb 26 2022

web listen to quantum runner on spotify plasma force song 2015 plasma force song 2015 listen to quantum runner on spotify  
plasma force song 2015 sign up log in home search your library create your first playlist it s easy we ll help you create  
playlist let s find some podcasts to

**quantum flow running train smart finish strong paperback** - Jul 14 2023

web buy quantum flow running train smart finish strong 1 0 by lawless tony isbn 9781527224865 from amazon s book store  
everyday low prices and free delivery on eligible orders

**quantum flow running train smart finish strong english** - May 12 2023

web quantum flow running train smart finish strong english edition ebook lawless tony amazon es tienda kindle  
*quantum flow running train smart finish strong english edition* - Dec 07 2022

web jun 25 2023 quantum flow running train smart finish strong english edition by tony lawless this is the program for you  
when you combine meaningful daily practice with the correct techniques you get results way beyond

**quantum flow running train smart finish strong en** - Dec 27 2021

web quantum flow running train smart finish strong en 2 16 downloaded from uniport edu ng on july 28 2023 by guest  
development and covers issues including poverty reduction sustainable development climate change mitigation and  
adaptation it presents the various fields of engineering around the world and is intended to

**quantum flow running train smart finish strong en 2022** - Nov 06 2022

web quantum flow running train smart finish strong en is easy to get to in our digital library an online permission to it is set  
as public thus you can download it instantly our digital library saves in combined countries allowing you to get the most

**quantum flow running train smart finish strong english** - Mar 10 2023

web achetez et téléchargez ebook quantum flow running train smart finish strong english edition boutique kindle running  
jogging amazon fr

**elements compounds and mixtures worksheets easy teacher** - May 12 2023

web elements compounds and mixtures are constituents of matter matter can either be pure or impure elements and compounds are pure forms of matter while a mixture is impure i ll discuss elements compounds and mixtures in detail in this article we ll look at their different categories and how they differ from each other what is an element

**elements compounds and mixtures interactive worksheet** - Feb 26 2022

web sep 10 2021 level 7 8 language english en id 1503208 09 10 2021 country code au country australia school subject chemistry 1061818 main content identifying substances using pictures 1566281 students classify pictures as elements compounds and combinations of these

element mixture compound activity teachengineering - Mar 10 2023

web jan 11 2019 distinguish and describe the three types of matter elements compounds mixtures define pure and impure materials give some examples of elements mixtures and compounds explain the different properties of each group of materials

elements compounds mixtures - Oct 05 2022

web symbol name an element is made up of atoms which are all the same what is a compound a compound is a pure substance that consists of atoms of two or more elements joined together compounds are formed when atoms of different elements react together compounds can be decomposed into elements using chemical means

**element compound and mixture practice khan academy** - Apr 11 2023

web element compound and mixture google classroom an elements is made up of two types of atoms is the statement true or false choose 1 answer true a true false b false report a problem 7 4 1 x x y y theta  $\theta$

**elements compounds and mixtures knowledgeboat** - Jan 28 2022

web answer a an element is a pure substance that cannot be converted further into anything simpler than itself by any physical or chemical process it is made up of only one kind of atoms b a compound is a pure substance formed by the chemical combination of two or more elements in a fixed ratio by mass

**elements mixtures and compounds 5th grade science** - Jun 01 2022

web elements mixtures and compounds 5th grade science worksheets and answer key study guides covers the following skills understand physical and chemical properties of matter distinguish between mixtures and compounds

**elements compounds and mixtures division of chemical** - Nov 06 2022

web compounds elements combine to form chemical compounds that are often divided into two categories metals often react with nonmetals to form ionic compounds these compounds are composed of positive and negative ions formed by adding or subtracting electrons from neutral atoms and molecules

elements compounds mixture answer key docx course hero - Feb 09 2023

web snc1p elements compounds and mixtures 1 match each diagram with its correct description diagrams will be used once  
a b c d e c pure element only one type of atom present e mixture of two elements two types of uncombined atoms present b  
pure compound only one type of compound present

**elements compound and mixtures answer key pathways to** - Sep 04 2022

web heating and cooling curves answer key heating and cooling curves part 2 heating and cooling curves part 2 answer key  
initial rates initial rates answer key integrated rate laws and half life integrated rate laws and half life answer key kc and kp  
kc and kp answer key phase changes phase changes answer key phase diagrams phase

*elements compounds and mixtures worksheet by elly thorsen tpt* - Mar 30 2022

web this bundle contains six different resources about elements compounds and mixtures all answer keys are included here  
are the resources you get in this bundle bell ringer cards use these sixteen cards as warmups task cards or stations card  
sorting activity use this activity to practice classi

**elements compounds and mixtures worksheet** - Jan 08 2023

web this is a simple instructional worksheet that uses drawings to contrast atoms and molecules as well as elements  
compounds and mixtures essential concepts elements compounds mixtures atoms molecules pure substance answer key  
included in the chemistry instructor resources subscription

**icse selina class 8 chemistry chapter 3 byju s** - Dec 27 2021

web download icse class 8 chemistry selina solutions pdf for chapter 3 elements compounds and mixtures question 1 define a  
elements b compounds solution a the element is a substance and it cannot be split further into simpler substances and has a  
definite set of properties elements are made up of only one kind of atoms

*classifying matter elements compounds and mixtures* - Apr 30 2022

web represents an item composed of an element compound or mixture review an element contains just one type of atom a  
compound contains two or more different atoms joined together a mixture contains two or more different substances that are  
only physically joined together not chemically a mixture can contain both elements and compounds

**elements compounds and mixtures elements compounds and** - Dec 07 2022

web elements compounds and formulae an overview of the definitions of different types of chemicals how chemicals can be  
represented in chemical equations how chemicals can be separated and a

*elements compounds mixture answer key studocu* - Jul 14 2023

web a b c d e pure element only one type of atom present mixture of two elements two types of uncombined atoms present  
pure compound only one type of compound present mixture of two compounds two types of compounds present mixture of a  
compound and an element

elements compounds and mixtures worksheet answers - Aug 15 2023

web match each diagram with its correct description diagrams will be used once a b c d c pure element only one type of atom present e mixture of two elements two types of uncombined atoms present b pure compound only one type of compound present a mixture of two compounds two types of compounds present

*elements compounds amp mixtures oh my aact* - Jul 02 2022

web mar 25 2020 part 3 draw particle diagrams draw a particle diagram representing the type of matter described below each box your diagrams must be different from the ones provided in part 2 1 mixture of elements and compounds

**elements compounds mixtures worksheet with answer key** - Aug 03 2022

web elements compounds mixtures worksheet with answer key helps students practice applying their knowledge of this information by writing notes and then categorizing items as an element compound or mixture the answer key is included please note the worksheet is 2 pages and the answer key is 2 pa

**elements compounds and mixtures bbc bitesize** - Jun 13 2023

web chemistry atoms elements and compounds key points everything in the known universe is made up of the elements found on the periodic table there are over 100 different elements which