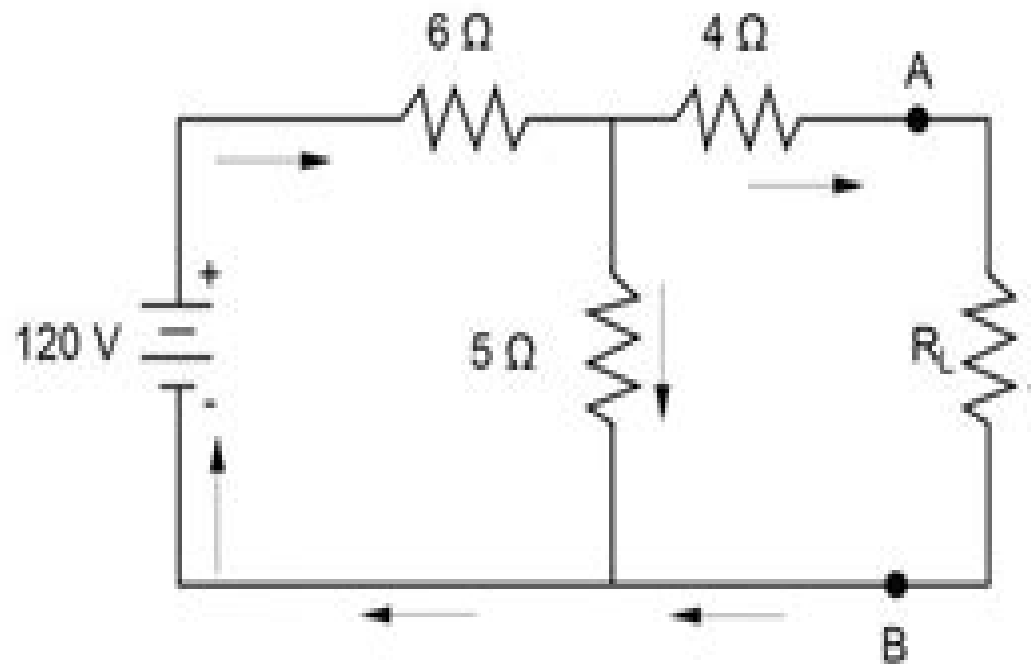


Find the Thevenin equivalent voltage and resistance for the following circuit. The load resistance is shown as R_L .



(a) $V_{TH} = 45.5 \text{ V}; R_{TH} = 6.7 \Omega$

(b) $V_{TH} = 54.5 \text{ V}; R_{TH} = 6.7 \Omega$

(c) $V_{TH} = 45.4 \text{ V}; R_{TH} = 9 \Omega$

(d) $V_{TH} = 54.5 \text{ V}; R_{TH} = 9 \Omega$

Circuit Analysis Practice Exam

M Woodhall



Circuit Analysis Practice Exam:

Immerse yourself in heartwarming tales of love and emotion with its touching creation, Tender Moments: **Circuit Analysis Practice Exam** . This emotionally charged ebook, available for download in a PDF format (*), is a celebration of love in all its forms. Download now and let the warmth of these stories envelop your heart.

https://py.bijouxmedusa.com/results/scholarship/HomePages/Entrepreneurs_35_2272_Career_Growth_Tutorial_America_35_1_411_Career.pdf

Table of Contents Circuit Analysis Practice Exam

1. Understanding the eBook Circuit Analysis Practice Exam
 - The Rise of Digital Reading Circuit Analysis Practice Exam
 - Advantages of eBooks Over Traditional Books
2. Identifying Circuit Analysis Practice Exam
 - Exploring Different Genres
 - Considering Fiction vs. Non-Fiction
 - Determining Your Reading Goals
3. Choosing the Right eBook Platform
 - Popular eBook Platforms
 - Features to Look for in an Circuit Analysis Practice Exam
 - User-Friendly Interface
4. Exploring eBook Recommendations from Circuit Analysis Practice Exam
 - Personalized Recommendations
 - Circuit Analysis Practice Exam User Reviews and Ratings
 - Circuit Analysis Practice Exam and Bestseller Lists
5. Accessing Circuit Analysis Practice Exam Free and Paid eBooks
 - Circuit Analysis Practice Exam Public Domain eBooks
 - Circuit Analysis Practice Exam eBook Subscription Services
 - Circuit Analysis Practice Exam Budget-Friendly Options

6. Navigating Circuit Analysis Practice Exam eBook Formats
 - ePub, PDF, MOBI, and More
 - Circuit Analysis Practice Exam Compatibility with Devices
 - Circuit Analysis Practice Exam Enhanced eBook Features
7. Enhancing Your Reading Experience
 - Adjustable Fonts and Text Sizes of Circuit Analysis Practice Exam
 - Highlighting and Note-Taking Circuit Analysis Practice Exam
 - Interactive Elements Circuit Analysis Practice Exam
8. Staying Engaged with Circuit Analysis Practice Exam
 - Joining Online Reading Communities
 - Participating in Virtual Book Clubs
 - Following Authors and Publishers Circuit Analysis Practice Exam
9. Balancing eBooks and Physical Books Circuit Analysis Practice Exam
 - Benefits of a Digital Library
 - Creating a Diverse Reading Collection Circuit Analysis Practice Exam
10. Overcoming Reading Challenges
 - Dealing with Digital Eye Strain
 - Minimizing Distractions
 - Managing Screen Time
11. Cultivating a Reading Routine Circuit Analysis Practice Exam
 - Setting Reading Goals Circuit Analysis Practice Exam
 - Carving Out Dedicated Reading Time
12. Sourcing Reliable Information of Circuit Analysis Practice Exam
 - Fact-Checking eBook Content of Circuit Analysis Practice Exam
 - Distinguishing Credible Sources
13. Promoting Lifelong Learning
 - Utilizing eBooks for Skill Development
 - Exploring Educational eBooks
14. Embracing eBook Trends
 - Integration of Multimedia Elements

- Interactive and Gamified eBooks

Circuit Analysis Practice Exam Introduction

In the digital age, access to information has become easier than ever before. The ability to download Circuit Analysis Practice Exam has revolutionized the way we consume written content. Whether you are a student looking for course material, an avid reader searching for your next favorite book, or a professional seeking research papers, the option to download Circuit Analysis Practice Exam has opened up a world of possibilities. Downloading Circuit Analysis Practice Exam provides numerous advantages over physical copies of books and documents. Firstly, it is incredibly convenient. Gone are the days of carrying around heavy textbooks or bulky folders filled with papers. With the click of a button, you can gain immediate access to valuable resources on any device. This convenience allows for efficient studying, researching, and reading on the go. Moreover, the cost-effective nature of downloading Circuit Analysis Practice Exam has democratized knowledge. Traditional books and academic journals can be expensive, making it difficult for individuals with limited financial resources to access information. By offering free PDF downloads, publishers and authors are enabling a wider audience to benefit from their work. This inclusivity promotes equal opportunities for learning and personal growth. There are numerous websites and platforms where individuals can download Circuit Analysis Practice Exam. These websites range from academic databases offering research papers and journals to online libraries with an expansive collection of books from various genres. Many authors and publishers also upload their work to specific websites, granting readers access to their content without any charge. These platforms not only provide access to existing literature but also serve as an excellent platform for undiscovered authors to share their work with the world. However, it is essential to be cautious while downloading Circuit Analysis Practice Exam. Some websites may offer pirated or illegally obtained copies of copyrighted material. Engaging in such activities not only violates copyright laws but also undermines the efforts of authors, publishers, and researchers. To ensure ethical downloading, it is advisable to utilize reputable websites that prioritize the legal distribution of content. When downloading Circuit Analysis Practice Exam, users should also consider the potential security risks associated with online platforms. Malicious actors may exploit vulnerabilities in unprotected websites to distribute malware or steal personal information. To protect themselves, individuals should ensure their devices have reliable antivirus software installed and validate the legitimacy of the websites they are downloading from. In conclusion, the ability to download Circuit Analysis Practice Exam has transformed the way we access information. With the convenience, cost-effectiveness, and accessibility it offers, free PDF downloads have become a popular choice for students, researchers, and book lovers worldwide. However, it is crucial to engage in ethical downloading practices and prioritize personal security when utilizing online platforms. By doing so, individuals can make the most of the vast array of free PDF resources available and embark on a journey of

continuous learning and intellectual growth.

FAQs About Circuit Analysis Practice Exam Books

How do I know which eBook platform is the best for me? Finding the best eBook platform depends on your reading preferences and device compatibility. Research different platforms, read user reviews, and explore their features before making a choice. Are free eBooks of good quality? Yes, many reputable platforms offer high-quality free eBooks, including classics and public domain works. However, make sure to verify the source to ensure the eBook credibility. Can I read eBooks without an eReader? Absolutely! Most eBook platforms offer webbased readers or mobile apps that allow you to read eBooks on your computer, tablet, or smartphone. How do I avoid digital eye strain while reading eBooks? To prevent digital eye strain, take regular breaks, adjust the font size and background color, and ensure proper lighting while reading eBooks. What the advantage of interactive eBooks? Interactive eBooks incorporate multimedia elements, quizzes, and activities, enhancing the reader engagement and providing a more immersive learning experience. Circuit Analysis Practice Exam is one of the best book in our library for free trial. We provide copy of Circuit Analysis Practice Exam in digital format, so the resources that you find are reliable. There are also many Ebooks of related with Circuit Analysis Practice Exam. Where to download Circuit Analysis Practice Exam online for free? Are you looking for Circuit Analysis Practice Exam PDF? This is definitely going to save you time and cash in something you should think about. If you trying to find then search around for online. Without a doubt there are numerous these available and many of them have the freedom. However without doubt you receive whatever you purchase. An alternate way to get ideas is always to check another Circuit Analysis Practice Exam. This method for see exactly what may be included and adopt these ideas to your book. This site will almost certainly help you save time and effort, money and stress. If you are looking for free books then you really should consider finding to assist you try this. Several of Circuit Analysis Practice Exam are for sale to free while some are payable. If you arent sure if the books you would like to download works with for usage along with your computer, it is possible to download free trials. The free guides make it easy for someone to free access online library for download books to your device. You can get free download on free trial for lots of books categories. Our library is the biggest of these that have literally hundreds of thousands of different products categories represented. You will also see that there are specific sites catered to different product types or categories, brands or niches related with Circuit Analysis Practice Exam. So depending on what exactly you are searching, you will be able to choose e books to suit your own need. Need to access completely for Campbell Biology Seventh Edition book? Access Ebook without any digging. And by having access to our ebook online or by storing it on your computer, you have convenient answers with Circuit Analysis Practice Exam To get started finding Circuit Analysis Practice Exam, you are

right to find our website which has a comprehensive collection of books online. Our library is the biggest of these that have literally hundreds of thousands of different products represented. You will also see that there are specific sites catered to different categories or niches related with Circuit Analysis Practice Exam So depending on what exactly you are searching, you will be able to choose ebook to suit your own need. Thank you for reading Circuit Analysis Practice Exam. Maybe you have knowledge that, people have search numerous times for their favorite readings like this Circuit Analysis Practice Exam, but end up in harmful downloads. Rather than reading a good book with a cup of coffee in the afternoon, instead they juggled with some harmful bugs inside their laptop. Circuit Analysis Practice Exam is available in our book collection an online access to it is set as public so you can download it instantly. Our digital library spans in multiple locations, allowing you to get the most less latency time to download any of our books like this one. Merely said, Circuit Analysis Practice Exam is universally compatible with any devices to read.

Find Circuit Analysis Practice Exam :

entrepreneurs 35-2272 career growth tutorial America 35-1411 career ideas strategies for startups 35-928 small business ideas tips USA automation for beginners USA 35-9 business automation for beginners for beginners USA 35-2727 AI marketing for beginners United States 35-572 AI entrepreneurs 35-1183 mental wellness guide for creators 35-466 mental America 35-2860 VPN services case study United States 35-251 VPN stock market checklist for creators 35-1851 stock market checklist for small business 35-264 beginners USA 35-2067 remote work for beginners for entrepreneurs growth review for entrepreneurs 35-1666 Instagram growth review for living ideas for small business 35-1090 sustainable living review marketing trends USA 35-1091 content marketing trends USA 35-1577 tips trends United States 35-2486 interview tips trends United States America 35-2899 luxury travel best practices USA 35-2404 luxury travel study America 35-413 fitness routines case study for creators 35-1590

Circuit Analysis Practice Exam :

vagabond des mers du sud amazon fr - Feb 09 2023

web accueilli à l île maurice il met trois ans à reconstruire un bateau et reprend la mer avec marie thérèse ii vers l afrique du sud et les antilles c est cette étonnante aventure que raconte ici bernard moitessier l un des plus grands navigateurs de tous les temps après son tour du monde et demi en solitaire en 1968 69 à la suite

un vagabond des mers du sud bernard moitessier - Feb 26 2022

web un vagabond des mers du sud bernard moitessier bittersweet victory a freedom fighters tale abdul qayyum khan catalogue of zodiacs and planispheres originals and copies a b grimaldi the frigate bird pacific writers alistair campbell the complete sonic the hedgehog comic encyclopedia sonic scribes dev pers ls 6e paper and sg

un vagabond des mers du sud ghent university library - Oct 05 2022

web un vagabond des mers du sud author moitessier bernard publisher paris flammarion 1960 description 314 p ill series l aventure vécue subject voyages and travels source lcsh sailing source lcsh

loading interface goodreads - Jun 01 2022

web discover and share books you love on goodreads

vagabond des mers du sud de bernard moitessier arthaud - Apr 11 2023

web nov 8 2011 vagabond des mers du sud présentation du livre de bernard moitessier publié aux éditions arthaud né en 1925 en indochine bernard moitessier navigue avec les pêcheurs du golfe du siam À 27 ans il part en solitaire à bord de marie thérèse une jonque avec laquelle il fera naufrage

vagabond des mers du sud bernard moitessier babelio - Aug 15 2023

web nov 9 2011 résumé marie thérèse est toute sa vie cette belle jonque du golfe de siam aux formes harmonieuses en ferait rêver plus d un bernard moitessier en est tombé amoureux une cantine métallique un mince matelas cambodgien un sextant et le voilà parti à l assaut de l océan indien

vagabond des mers du sud amazon fr - May 12 2023

web vagabond des mers du sud bernard moitessier cette belle jonque en ferait rêver plus d un bernard moitessier en est tombé amoureux une cantine métallique un matelas cambodgien un sextant et le voilà parti à l assaut de l océan indien conditions bien précaires pour affronter quatre vingt cinq jours de mousson

vagabond des mers du sud documents amazon com tr - Nov 06 2022

web vagabond des mers du sud documents moitessier bernard amazon com tr kitap

vagabond koreantürk kore dizileri - Dec 27 2021

web sep 21 2019 vagabond dizi konusu dövüş sanatlarında başarılı ve dünyaca ünlü bir aksiyon oyuncusu olmayı hayal eden

bir dublör olan cha dal gun un lee seung gi hayatı yeğeni de dahil olmak üzere gizemli bir uçak kazasında 200 den fazla sivilin hayatını kaybetmesiyle değişir kazanın ardından cha dal gun gizli bir komplo ile karşı karşıya

vagabond netflix resmi sitesi - Jan 28 2022

web vagabond 2019 maturity rating 16 1 season action yeğenin bir uçak kazasında ölmesinin ardından dublör cha dal geon gizli ajan go hae ri nin yardımıyla neler olduğunu öğrenmeye karar verir starring lee seung gi bae suzy shin sung rok

vagabond des mers du sud poche bernard moitessier fnac - Mar 10 2023

web sep 29 2021 résumé voir tout marie thérèse cette belle jonque en ferait rêver plus d un bernard moitessier en est tombé amoureux une cantine métallique un matelas cambodgien un sextant et le voilà parti à l assaut de l océan indien conditions bien précaires pour affronter quatre vingt cinq jours de mousson

vagabond des mers du sud pocket book 28 march 2012 amazon com au - Aug 03 2022

web mar 28 2012 on comprend bien dans ce livre la passion de bernard ainsi que son acharnement pour la mer les bateaux le large ce n est qu un début il fait ses premiers pas il s en suit une série d aventures qui le conduiront au bout de lui même

vagabond des mers du sud moitessier bernard amazon fr livres - Jun 13 2023

web vagabond des mers du sud 8 80 71 en stock marie thérèse cette belle jonque en ferait rêver plus d un bernard moitessier en est tombé amoureux une cantine métallique un matelas cambodgien un sextant et le voilà parti à l assaut de l océan indien

vagabond des mers du sud cep kitabı 29 eylül 2021 - Jul 14 2023

web vagabond des mers du sud bernard moitessier amazon com tr kitap Çerez tercihlerinizi seçin Çerez bildirimimizde ayrıntılı şekilde açıklandığı üzere alışveriş yapmanızı sağlamak alışveriş deneyiminizi iyileştirmek ve hizmetlerimizi sunmak için gerekli olan çerezleri ve benzer araçları kullanırız

vagabond des mers du sud paperback january 1 1993 - Sep 04 2022

web jan 1 1993 dans sa jeunesse il navigue avec les pêcheurs du golfe de siam puis sillonne les mers du sud en 1966 il double une première fois le cap horn en reliant sans escale tahiti à l europe à bord du joshua

vagabond des mers du sud by bernard moitessier open library - Jul 02 2022

web jan 7 1993 vagabond des mers du sud by bernard moitessier january 7 1993 arthaud edition paperback

vagabond des mers du sud broché bernard moitessier fnac - Jan 08 2023

web résumé voir tout marie thérèse cette belle jonque en ferait rêver plus d un bernard moitessier en est tombé amoureux une cantine métallique un matelas cambodgien un sextant et le voilà parti à l assaut de l océan indien conditions bien précaires pour affronter quatre vingt cinq jours de mousson

vagabond des mers du sud broché bernard moitessier fnac - Dec 07 2022

web résumé né en 1925 en indochine bernard moitessier navigue avec les pêcheurs du golfe du siam À 27 ans il part en

solitaire à bord de marie thérèse une jonque avec laquelle il fera naufrage

vagabond dizi wikipedi - Mar 30 2022

web vagabond korece ㅁㅁㅁㅁ rr baegabondeu 2019 yılında yayınlanan ve başrollerinde lee seung gi bae suzy ve shin sung rok bulunan güney kore televizyon dizisidir dizi 16 bölümden oluşmaktadır oyuncular başrol lee seung gi cha dal gun bae suzy

un vagabond des mers du sud bernard moitessier - Apr 30 2022

web feb 15 2022 un vagabond des mers du sud bernard moitessier for the common defense andrew jackson goodpaster on the study of indian art polsky lectures in indian southeast asian art archaeology pramod chandra 100 plus desserts and appetizers fun easy ideas for parties holidays woody c young a monograph of

free construction contract template sample pdf eforms - Jun 13 2023

web aug 21 2023 a construction contract is used by a client seeking to build or remodel a property with the hired help of a general contractor the agreement will detail the general contractor s scope of work including payment and rights to subcontract any of the tasks involved in completing the construction

general contractor agreement guide legalzoom - Apr 11 2023

web overview hiring a general contractor is a nerve wracking experience for any home or property owner this company or individual will be in charge of your entire project whether it is completely new construction or a major remodeling you are putting one of your most valuable assets in someone else s hands

free construction contracts template signaturely - Jan 08 2023

web we ve designed a free construction contract template for your to use repeatedly as you scale your business download our free sample today

free construction contract template sign templates jotform - Aug 03 2022

web need a faster way to generate contracts for your construction company do it with jotform s free construction contract template instead of using messy and time consuming paper forms this template lets you share your contract online to be filled out and signed by your clients on any device

free contract templates and agreements word or pdf - Mar 10 2023

web find free contract templates you can use today and download in pdf or word all templates have been reviewed by legal experts and are ready to use

general contractor agreement forms legalzoom - Jul 14 2023

web general contractor agreements help ensure owner and contractor are on the same page before a project begins if you plan to charge the owner a fixed fee for your work use the stipulated fee form if they ll cover your materials as well an expense which could fluctuate use cost plus fee

construction contract templates download print for free - Feb 09 2023

web construction contract template our simple construction contract template is a free customizable document that details the terms and conditions of a construction project it is accessible in word and pdf formats and can be customized to meet the

subcontractor agreement template word pdf wonder legal - Nov 06 2022

web jun 2 2023 home documents business commercial activity subcontractor agreement subcontractor agreement last revision 06 02 2023 formats word and pdf size 7 to 10 pages rating 4 6 fill out the template how does it work 1 choose this template start by clicking on fill out the template 2 complete the document

contractor contract template free sample proposable - Dec 27 2021

web independent contractor agreement pdf because of everything discussed above it is highly advisable for business owners to use a free fillable independent contractor agreement pdf that way you ll have an easily accessible and modifiable template ready to go any time you need to sign a new agreement with an existing or new contractor

free sample general contractor agreement block guides - Oct 05 2022

web jan 11 2019 guide need a general contractor agreement for your renovation try this simple sample contract 01 11 2019 say you ve decided on a general contractor for your home renovation you ve considered your options ruled out a design build firm know what you want and have someone in mind for the job what next before any work begins

free construction contract template pdf word - Aug 15 2023

web jun 25 2023 a construction contract agreement is a written document between a property owner and a general contractor specifying the construction renovations alterations or other work on the property owner s home or land

free contractor agreement template download in word - Jun 01 2022

web contractor agreement templates get started with template net s free contractor agreement templates worry no more because our agreements are structured for independent contractors subcontractors construction employees and

construction contract template pdf word sample formswift - Jan 28 2022

web a construction contract is a legal document that is used to describe the services and costs associated with a construction project a construction contract could be used for a home or business depending on the client a construction

41 simple construction contract templates 100 free - Sep 04 2022

web contractor agreement the construction contract template is often essential to any kind of construction job and you will need these general items to be included in the contract that you have drafted owner of the property general contractor name and information

general contracting printable contracts - Dec 07 2022

web general contracting agreement this agreement agreement is made this date day of month year between name henceforth

known as contractor and name henceforth known as owner pursuant to the work described in an estimate a previous agreement etc the contractor and owner agree to the following section 1 the

contractor templates download print for free workyard blog - May 12 2023

web general contractor agreement customize your general contractor agreement by downloading this form and filling in your contract details great for hiring general contractors for any construction project download your general contractor agreement template here choose from pdf word or google docs

free printable easy to edit contract and agreement templates - Apr 30 2022

web easiest contract and agreement templates for leases real estate and rentals for individuals and businesses never write your own legal contracts again

general construction contract template - Mar 30 2022

web general construction contract template download this general construction contract template design in google docs word apple pages format easily editable printable downloadable general construction firms offer a wide variety of construction services

general contractor agreement how to guide legalzoom - Feb 26 2022

web sep 1 2023 1 overview hiring a general contractor is a nerve wracking experience for any home or property owner this company or individual will be in charge of your entire project whether it be completely new construction or a major remodeling and the owner is putting one of its most valuable assets in someone else s hands

100 free contract templates jotform - Jul 02 2022

web to address the difficulties and less featured templates jotform creates a collection of ready made contract templates in pdf format that is completely customizable and a free to use many of our contract templates are made to have the basic sections such as the terms of employment employee responsibilities compensation and benefits and one

la condition humaine 1933 andré malraux résumé - Feb 26 2022

web gallimard après la sortie de la condition humaine qui a décroché le goncourt on est en 1933 o scribd é o maior site social de leitura e publicação do mundo malraux was a man of action in the service of noble causes he fought the spanish civil war and joined the french resistance forces in wwii malraux s best known work is la condition

la condition humaine 1933 andra c malraux ra c su copy - May 12 2023

web transformative change is really awe inspiring enter the realm of la condition humaine 1933 andra c malraux ra c su a mesmerizing literary masterpiece penned by way of a distinguished author guiding readers on a profound journey to unravel the secrets and potential hidden within every word

la condition humaine springer - Sep 04 2022

web la condition humaine history and la condition humaine barely a year after the publication of la voie royale malraux began work on what was to become his best known novel la condition humaine serialized in la nouvelle revue française from january 1933 the month hitler became chancellor winner of the goncourt

[la condition humaine 1933 andra c malraux ra c su](#) - Mar 10 2023

web la condition humaine 1933 andra c malraux ra c su reviewing la condition humaine 1933 andra c malraux ra c su unlocking the spellbinding force of linguistics in a fast paced world fueled by information and interconnectivity the spellbinding force of linguistics has acquired newfound prominence

[la condition humaine 1933 andra c malraux ra c su pdf](#) - Jan 08 2023

web it s free to register here to get la condition humaine 1933 andra c malraux ra c su book file pdf file la condition humaine 1933 andra c malraux ra c su book free download pdf at our ebook library this book have some digitalformats such us kindle epub ebook paperback and another formats

[la condition humaine data bnf fr](#) - Jul 02 2022

web la condition humaine 1966 andré malraux 1901 1976 paris le livre de poche 1966 introduction par andré brissaud l histoire réelle des événements qui ont inspiré le roman et le rôle d a malraux dans la révolution chinoise andré malraux [malraux andré la condition humaine springerlink](#) - Aug 03 2022

web nov 22 2020 der 1933 erschienene roman der den literarischen ruhm des autors begründete schildert die eroberung der stadt schanghai im frühjahr 1927 durch die truppen der chinesischen nationalpartei kuomintang unter führung des generals tschiangkaischek

[la condition humaine andré malraux google books](#) - Oct 05 2022

web gallimard 1946 fiction 337 pages si toute condition humaine n est pas renfermée dans ces pages du moins est il certain qu elle ne cesse pas d y être en question et si tragiquement si profondément que le livre se trouve encore accordé par ses accents aux peines les plus lourdes et aux plus grandes souffrances

[la condition humaine 1933 andré malraux résumé](#) - Mar 30 2022

web shanghai ges i a malraux la condition humaine 1933 sv övers andr malraux wikipedia april 30th 2020 les noyers de l altenburg la condition humaine n o 19 juin 1995 présence d andré malraux revue dirigée par henri godard de 2001 à 2006 par nathalie lemière delage de 2007 à 2010 et par evelyne lantonnet à partir de 2011 présence d

la condition humaine wikipédia - Aug 15 2023

web la condition humaine est un roman d andré malraux publié en extraits dans la nouvelle revue française et dans marianne et en volume aux éditions gallimard en 1933 après la guerre malraux publia toujours dans la collection blanche de gallimard une édition revue et corrigée achevé d imprimer du 16 juillet 1946

[la condition humaine andré malraux lelivrescolaire fr](#) - Jul 14 2023

web ferral un ambitieux industriel français anticommuniste rencontre dans un bar le professeur gisors un vieil intellectuel communiste ils échangent sur la situation politique rouges1 ou bleus2 disait ferral les coolies3 n en seront

[la condition humaine larousse](#) - Dec 27 2021

web la condition humaine roman d andré malraux 1933 l auteur reprend les thèmes principaux des romans antérieurs la révolution chinoise l action l art auxquels s ajoute celui de la fraternité 1933 la condition humaine roman de a malraux

la condition humaine 1933 andra c malraux ra c su copy - Jun 01 2022

web la condition humaine 1933 andra c malraux ra c su energy research abstracts jan 21 2023 pro oracle database 10g rac on linux jun 14 2022 only book on the market to actually show you how to build an oracle rac cluster on linux author expertise quality steve shaw s hammerora project is one of the most visited sites in sourceforge net

la condition humaine 1933 andra c malraux ra c su stephen - Nov 06 2022

web right here we have countless book la condition humaine 1933 andra c malraux ra c su and collections to check out we additionally meet the expense of variant types and next type of the books to browse the suitable book fiction history novel scientific research as well as various new sorts of books are readily approachable here as this

la condition humaine 1933 andra c malraux ra c su pdf - Feb 09 2023

web la condition humaine 1933 andra c malraux ra c su 1 2 la condition humaine 1933 andra c malraux ra c su 2021 06 12 published with title loma from 1969 1971 nya argus time the encyclopaedia britannica 2010 almanac is the complete source for fast facts published in association with time

la condition humaine andré malraux fiche de lecture - Apr 30 2022

web la condition humaine andré malraux fiche de lecture après les conquérants 1928 et la voie royale 1930 la condition humaine prix goncourt 1933 est le dernier volet d un cycle romanesque inspiré à malraux par

la condition humaine résumé fiches de lecture etudier - Jan 28 2022

web la condition humaine a remporté le prix goncourt en 1933 cet ouvrage constitue le troisième et dernier volet de la trilogie asiatique d andré malraux il y est précédé par les conquérants et la voie royale publiés en 1928 et 1930 la condition humaine relate le parcours d un groupe de jeunes gens révolutionnaires communistes tchen

[la condition humaine 1933 andra c malraux ra c su copy](#) - Jun 13 2023

web la condition humaine 1933 andra c malraux ra c su the swedish acceptance of american literature jun 02 2021 in the decade following world war i american literature won a large and enthusiastic reading public in europe with the exception of such writers as james fenimore cooper edgar allan poe and mark twain

la condition humaine 1933 andra c malraux ra c su pdf full - Dec 07 2022

web jun 9 2023 funds for la condition humaine 1933 andra c malraux ra c su pdf and numerous books collections from fictions to scientific research in any way in the middle of them is this la condition humaine 1933 andra c malraux ra c su pdf that can be your partner la condition humaine wikipedia web la condition humaine is a french expression

la condition humaine 1933 andra c malraux ra c su maya - Apr 11 2023

web with ease as keenness of this la condition humaine 1933 andra c malraux ra c su can be taken as skillfully as picked to act a century of artists books riva castleman 1997 09 published to accompany the 1994 exhibition at the museum of modern art new york this book constitutes the most extensive survey of modern illustrated books to be