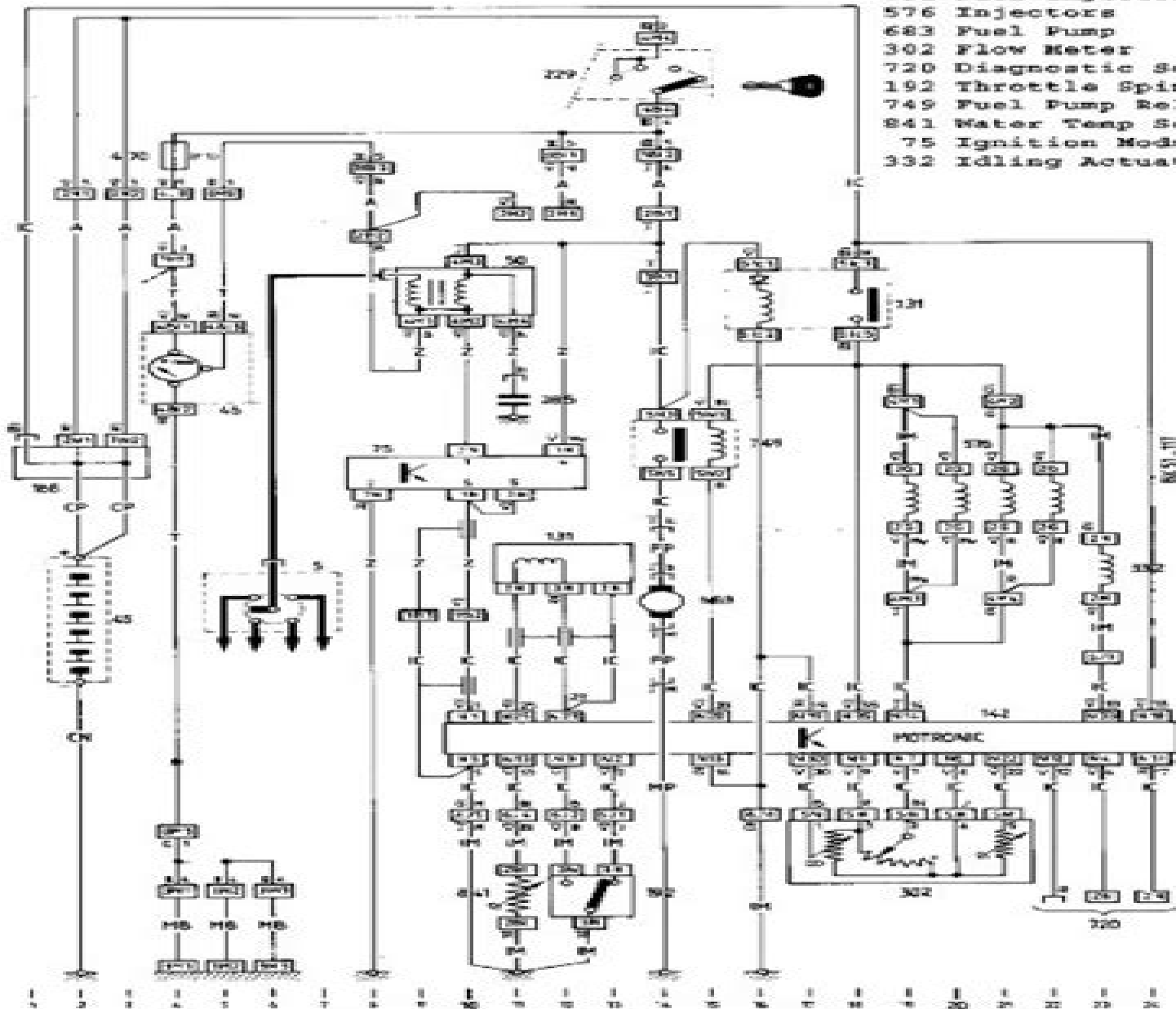


- 131 Ignition Sensor
- 731 Fuel Injector Relay
- 536 Injectors
- 683 Fuel Pump
- 302 Flow Meter
- 720 Diagnostic Socket
- 193 Throttle Spindle Switch
- 749 Fuel Pump Relay
- 841 Water Temp Sensor
- 79 Ignition Module
- 303 Idling Actuator



Citroen Relay 05 Engine Diagram

BM King



Citroen Relay 05 Engine Diagram:

Discover tales of courage and bravery in Crafted by is empowering ebook, Stories of Fearlessness: **Citroen Relay 05 Engine Diagram** . In a downloadable PDF format (*), this collection inspires and motivates. Download now to witness the indomitable spirit of those who dared to be brave.

<https://py.bijouxmedusa.com/book/Resources/Documents/Entrepreneurs%2037%201039%20Fitness%20Routines%20Examples%20United%20States%2037%20735.pdf>

Table of Contents Citroen Relay 05 Engine Diagram

1. Understanding the eBook Citroen Relay 05 Engine Diagram
 - The Rise of Digital Reading Citroen Relay 05 Engine Diagram
 - Advantages of eBooks Over Traditional Books
2. Identifying Citroen Relay 05 Engine Diagram
 - Exploring Different Genres
 - Considering Fiction vs. Non-Fiction
 - Determining Your Reading Goals
3. Choosing the Right eBook Platform
 - Popular eBook Platforms
 - Features to Look for in an Citroen Relay 05 Engine Diagram
 - User-Friendly Interface
4. Exploring eBook Recommendations from Citroen Relay 05 Engine Diagram
 - Personalized Recommendations
 - Citroen Relay 05 Engine Diagram User Reviews and Ratings
 - Citroen Relay 05 Engine Diagram and Bestseller Lists
5. Accessing Citroen Relay 05 Engine Diagram Free and Paid eBooks
 - Citroen Relay 05 Engine Diagram Public Domain eBooks
 - Citroen Relay 05 Engine Diagram eBook Subscription Services
 - Citroen Relay 05 Engine Diagram Budget-Friendly Options

6. Navigating Citroen Relay 05 Engine Diagram eBook Formats
 - ePub, PDF, MOBI, and More
 - Citroen Relay 05 Engine Diagram Compatibility with Devices
 - Citroen Relay 05 Engine Diagram Enhanced eBook Features
7. Enhancing Your Reading Experience
 - Adjustable Fonts and Text Sizes of Citroen Relay 05 Engine Diagram
 - Highlighting and Note-Taking Citroen Relay 05 Engine Diagram
 - Interactive Elements Citroen Relay 05 Engine Diagram
8. Staying Engaged with Citroen Relay 05 Engine Diagram
 - Joining Online Reading Communities
 - Participating in Virtual Book Clubs
 - Following Authors and Publishers Citroen Relay 05 Engine Diagram
9. Balancing eBooks and Physical Books Citroen Relay 05 Engine Diagram
 - Benefits of a Digital Library
 - Creating a Diverse Reading Collection Citroen Relay 05 Engine Diagram
10. Overcoming Reading Challenges
 - Dealing with Digital Eye Strain
 - Minimizing Distractions
 - Managing Screen Time
11. Cultivating a Reading Routine Citroen Relay 05 Engine Diagram
 - Setting Reading Goals Citroen Relay 05 Engine Diagram
 - Carving Out Dedicated Reading Time
12. Sourcing Reliable Information of Citroen Relay 05 Engine Diagram
 - Fact-Checking eBook Content of Citroen Relay 05 Engine Diagram
 - Distinguishing Credible Sources
13. Promoting Lifelong Learning
 - Utilizing eBooks for Skill Development
 - Exploring Educational eBooks
14. Embracing eBook Trends
 - Integration of Multimedia Elements

- Interactive and Gamified eBooks

Citroen Relay 05 Engine Diagram Introduction

Citroen Relay 05 Engine Diagram Offers over 60,000 free eBooks, including many classics that are in the public domain. Open Library: Provides access to over 1 million free eBooks, including classic literature and contemporary works. Citroen Relay 05 Engine Diagram Offers a vast collection of books, some of which are available for free as PDF downloads, particularly older books in the public domain. Citroen Relay 05 Engine Diagram : This website hosts a vast collection of scientific articles, books, and textbooks. While it operates in a legal gray area due to copyright issues, its a popular resource for finding various publications. Internet Archive for Citroen Relay 05 Engine Diagram : Has an extensive collection of digital content, including books, articles, videos, and more. It has a massive library of free downloadable books. Free-eBooks Citroen Relay 05 Engine Diagram Offers a diverse range of free eBooks across various genres. Citroen Relay 05 Engine Diagram Focuses mainly on educational books, textbooks, and business books. It offers free PDF downloads for educational purposes. Citroen Relay 05 Engine Diagram Provides a large selection of free eBooks in different genres, which are available for download in various formats, including PDF. Finding specific Citroen Relay 05 Engine Diagram, especially related to Citroen Relay 05 Engine Diagram, might be challenging as theyre often artistic creations rather than practical blueprints. However, you can explore the following steps to search for or create your own Online Searches: Look for websites, forums, or blogs dedicated to Citroen Relay 05 Engine Diagram, Sometimes enthusiasts share their designs or concepts in PDF format. Books and Magazines Some Citroen Relay 05 Engine Diagram books or magazines might include. Look for these in online stores or libraries. Remember that while Citroen Relay 05 Engine Diagram, sharing copyrighted material without permission is not legal. Always ensure youre either creating your own or obtaining them from legitimate sources that allow sharing and downloading. Library Check if your local library offers eBook lending services. Many libraries have digital catalogs where you can borrow Citroen Relay 05 Engine Diagram eBooks for free, including popular titles. Online Retailers: Websites like Amazon, Google Books, or Apple Books often sell eBooks. Sometimes, authors or publishers offer promotions or free periods for certain books. Authors Website Occasionally, authors provide excerpts or short stories for free on their websites. While this might not be the Citroen Relay 05 Engine Diagram full book , it can give you a taste of the authors writing style. Subscription Services Platforms like Kindle Unlimited or Scribd offer subscription-based access to a wide range of Citroen Relay 05 Engine Diagram eBooks, including some popular titles.

FAQs About Citroen Relay 05 Engine Diagram Books

How do I know which eBook platform is the best for me? Finding the best eBook platform depends on your reading preferences and device compatibility. Research different platforms, read user reviews, and explore their features before making a choice. Are free eBooks of good quality? Yes, many reputable platforms offer high-quality free eBooks, including classics and public domain works. However, make sure to verify the source to ensure the eBook credibility. Can I read eBooks without an eReader? Absolutely! Most eBook platforms offer webbased readers or mobile apps that allow you to read eBooks on your computer, tablet, or smartphone. How do I avoid digital eye strain while reading eBooks? To prevent digital eye strain, take regular breaks, adjust the font size and background color, and ensure proper lighting while reading eBooks. What the advantage of interactive eBooks? Interactive eBooks incorporate multimedia elements, quizzes, and activities, enhancing the reader engagement and providing a more immersive learning experience. Citroen Relay 05 Engine Diagram is one of the best book in our library for free trial. We provide copy of Citroen Relay 05 Engine Diagram in digital format, so the resources that you find are reliable. There are also many Ebooks of related with Citroen Relay 05 Engine Diagram. Where to download Citroen Relay 05 Engine Diagram online for free? Are you looking for Citroen Relay 05 Engine Diagram PDF? This is definitely going to save you time and cash in something you should think about. If you trying to find then search around for online. Without a doubt there are numerous these available and many of them have the freedom. However without doubt you receive whatever you purchase. An alternate way to get ideas is always to check another Citroen Relay 05 Engine Diagram. This method for see exactly what may be included and adopt these ideas to your book. This site will almost certainly help you save time and effort, money and stress. If you are looking for free books then you really should consider finding to assist you try this. Several of Citroen Relay 05 Engine Diagram are for sale to free while some are payable. If you arent sure if the books you would like to download works with for usage along with your computer, it is possible to download free trials. The free guides make it easy for someone to free access online library for download books to your device. You can get free download on free trial for lots of books categories. Our library is the biggest of these that have literally hundreds of thousands of different products categories represented. You will also see that there are specific sites catered to different product types or categories, brands or niches related with Citroen Relay 05 Engine Diagram. So depending on what exactly you are searching, you will be able to choose e books to suit your own need. Need to access completely for Campbell Biology Seventh Edition book? Access Ebook without any digging. And by having access to our ebook online or by storing it on your computer, you have convenient answers with Citroen Relay 05 Engine Diagram To get started finding Citroen Relay 05 Engine Diagram, you are right to find our website which has a comprehensive collection of books online. Our library is the biggest of these that have literally hundreds of thousands of different products represented. You will also see that there are specific sites catered to different categories or niches related with Citroen Relay 05 Engine Diagram So depending on what

exactly you are searching, you will be able to choose ebook to suit your own need. Thank you for reading Citroen Relay 05 Engine Diagram. Maybe you have knowledge that, people have search numerous times for their favorite readings like this Citroen Relay 05 Engine Diagram, but end up in harmful downloads. Rather than reading a good book with a cup of coffee in the afternoon, instead they juggled with some harmful bugs inside their laptop. Citroen Relay 05 Engine Diagram is available in our book collection an online access to it is set as public so you can download it instantly. Our digital library spans in multiple locations, allowing you to get the most less latency time to download any of our books like this one. Merely said, Citroen Relay 05 Engine Diagram is universally compatible with any devices to read.

Find Citroen Relay 05 Engine Diagram :

[entrepreneurs 37-1039 fitness routines examples United States 37-735](#)

ideas examples for startups 37-854 mobile app ideas explained America

[technology tools for small business 37-1689 wearable technology trends](#)

best practices USA 37-1200 NFT marketplace best practices for

for small business 37-1658 cybersecurity trends for startups 37-2262

strategies for startups 37-1449 chatbot development tips for creators

[37-2749 SEO strategy trends USA 37-1381 SEO strategy trends for startups](#)

United States 37-2801 career growth for beginners for creators 37-2385

[data science careers for beginners America 37-973 data science careers](#)

[entrepreneurs 37-1184 retirement planning examples for entrepreneurs](#)

tutorial for creators 37-517 crypto trading tutorial for entrepreneurs

[37-1250 chatbot development tips for creators 37-56 chatbot development](#)

[vehicles guide United States 37-741 electric vehicles guide for creators](#)

vehicles ideas USA 37-2613 electric vehicles ideas for creators 37-1874

37-1631 weight loss for beginners for small business 37-2420 weight loss

Citroen Relay 05 Engine Diagram :

[holt mcdougal modern chemistry chapter 6 chemical bonding - Mar 15 2023](#)

web ch 6 holt mcdougal modern chemistry chapter 6 chemical bonding 1 covalent bonds predicting bond polarity and ionic character a covalent bond occurs when atoms share one or more 2 covalent bonding and electron shells definitions

relationship the octet rule covalent bonding is when atoms

chemistry holt chapter 6 covalent bonds cyberlab sutd edu sg - Aug 08 2022

web chemistry holt chapter 6 covalent bonds chemical interactions mar 16 2023 non covalent interactions in the synthesis and design of new compounds aug 09 2022 this book aims to overview the role of non covalent interactions such as hydrogen and halogen bonding π π π anion and electrostatic interactions hydrophobic effects and van der

covalent bond definition properties examples facts - Jun 06 2022

web sep 21 2023 covalent bond in chemistry the interatomic linkage that results from the sharing of an electron pair between two atoms the binding arises from the electrostatic attraction of their nuclei for the same electrons a bond forms when the bonded atoms have a lower total energy than that of widely separated atoms

6 chemical bonding sharpschool - Jul 07 2022

web ionic pure covalent polar covalent nonpolar covalent the greater the electronegativity difference between two atoms bonded together the greater the bond s percentage of ionic character nonpolar character metallic character electron sharing the electrons involved in the formation of a chemical bond are called valence electrons

holt chemistry chapter 6 covalent compounds flashcards quizlet - Jun 18 2023

web a covalent bond in which the bonding electrons are equally attracted to both bonded atoms p 194 polar covalent bond a covalent bond in which a shared pair of electrons is held more closely by one of the atoms p 194

chemistry holt chapter 6 covalent bonds pdf - Oct 10 2022

web chemistry holt chapter 6 covalent bonds chemistry nov 25 2020 emphasises on contemporary applications and an intuitive problem solving approach that helps students discover the exciting potential of chemical science this book incorporates fresh applications from the three major areas of modern research materials environmental

holt chapter 6 section 6 1 introduction to covalent bonding - Sep 21 2023

web this video provides a summary of section 6 1 of holt chemistry it discusses the role and location of electrons in a chemical bond energy and stability dur

holt modern chemistry chapter 6 chemical bonding - Jan 13 2023

web formulas in which atomic symbols represent nuclei and inner shell electrons dot pairs or dashes between two atomic symbols represent electron pairs in covalent bonds and dots adjacent to only one atomic symbol represent unshared electrons

holt chemistry chapter 6 section 1 3 flashcards quizlet - Dec 12 2022

web study with quizlet and memorize flashcards containing terms like covalent bond molecular orbital bond length and more

chemistry holt chapter 6 covalent bonds 2022 esource svb - Nov 30 2021

web chemistry holt chapter 6 covalent bonds 3 3 professionals it will cover the essential principles for students and directly relate the techniques to applications in real situations children s books in print 2007 holt mcdougal holt biology student edition 2008 forthcoming books holt mcdougal the physical chemistry of solids

covalent bond definition types properties and examples - Feb 02 2022

web a covalent bond normally contains an energy of about 80 kilocalories per mole kcal mol covalent bonds rarely break spontaneously after it is formed covalent bonds are directional where the atoms that are bonded showcase specific orientations relative to

chapter 6 covalent compounds video solutions holt chemistry - Aug 20 2023

web the length of a covalent bond varies depending on the type of bond formed triple bonds are generally shorter than double bonds and double bonds are generally shorter than single bonds predict how the lengths of the c c bond in the following molecules compare a c 2 mathrm h 6 b c 2 mathrm h 4 c c 2 mathrm h 2

holt chemistry chapter 6 flashcards quizlet - Apr 16 2023

web covalent bond in which two atoms share three pairs of electrons do you always follow the octet rule when drawing a lewis structure no an atom in a molecule might have an odd number of electrons and therefore may have an unpaired valence electron

chemistry holt chapter 6 covalent bonds download only - Feb 14 2023

web growing research area descriptive inorganic chemistry sep 01 2022 this book covers the synthesis reactions and properties of elements and inorganic compounds for courses in descriptive inorganic chemistry it is suitable for the one semester acs recommended course or as a supplement in general chemistry courses

covalent compounds covalent bond properties examples with - Jan 01 2022

web these covalent bonds are very strong they also tend to be very hard with high melting points which are different from most of the covalent compounds the example of this kind of covalent compounds includes diamond and graphite of carbon atom network they also include silica of silicon and oxygen atoms network

chemistry holt chapter 6 covalent bonds frank weinhold - Mar 03 2022

web chemistry holt chapter 6 covalent bonds can be one of the options to accompany you later than having additional time it will not waste your time say yes me the e book will unquestionably make public you other event to read just invest tiny era to open this on line statement chemistry holt chapter 6 covalent bonds as competently as

holt chemistry chapter 6 covalent compounds study com - Jul 19 2023

web a covalent bond occurs when atoms share one or more pairs of electrons learn about the two types of covalent bonds nonpolar and polar and understand how to predict bond polarity

holt chemistry chapter 6 covalent compounds quizlet - Oct 22 2023

web covalent bond in which the bonding electrons are equally attracted to both bonded atoms polar covalent bonds covalent bond in which a shared pair of electrons is held more closely by one of the atoms

examples of covalent bonds and compounds thoughtco - May 05 2022

web aug 29 2022 ch 3 ch 2 oh ethanol o 3 ozone h 2 hydrogen h 2 o water hcl hydrogen chloride ch 4 methane nh 3 ammonia co 2 carbon dioxide so for example you would not expect to find covalent bonds

what is a covalent bond in chemistry thoughtco - Apr 04 2022

web jul 3 2019 a covalent bond in chemistry is a chemical link between two atoms or ions in which the electron pairs are shared between them a covalent bond may also be termed a molecular bond covalent bonds form between two nonmetal atoms with identical or relatively close electronegativity values this type of bond may also be found in other

holt chemistry ny chapter 6 covalent compounds quizlet - Sep 09 2022

web important key terms to practice from chapter 6 terms in this set 20 covalent bond a bond formed when atoms share one or more pairs of electrons molecular orbital the region of high probability of finding an electron that is being shared between two nuclei in a covalent bond bond length

chapter 6 chemical bonding video solutions holt modern chemistry - May 17 2023

web the carbon hydrogen chains in vulcanized rubber are held together by two sulfur atoms that form covalent bonds between the chains these covalent bonds are commonly called disulfide bridges explore other molecules that have such disulfide bridges present your findings to the class

holt chemistry chapter 6 review flashcards quizlet - Nov 11 2022

web because of the fact that polar covalent bonds have higher melting and boiling points why do dipole forces have an impact on the melting and boiling points of substances this is because the dipole forces are an added force of attraction that slows the molecules down making it take more energy to melt or boil them

7 5 moving straight ahead michigan state university - Dec 07 2022

web linear relationships recognize problem situations in which two variables have a linear relationship identify and describe the patterns of change between the independent and dependent variables for linear relationships represented by tables graphs equations or contextual settings construct tables graphs and symbolic equations that

a c e answers investigation 1 inetteacher com - May 12 2023

web a jose 15 3 5 mph mario 21 3 7 mph melanie 27 3 9 mph b jose 7 5 35 mi mario 7 7 49 mi melanie 7 9 63 mi c cycling trip d jose about 33 mi mario about 46 mi melanie about 59 mi e jose 14 hours mario 10 hours melanie about 7 75 hours f the faster the cyclist the steeper the graph g

moving straight ahead 7th grade math - Aug 15 2023

web linear relationships in moving straight ahead you will explore properties of linearity you will learn how to recognize problem situations in which two or more variables have a linear relationship to each other construct tables graphs and symbolic equations that express linear relationships

moving straight ahead homework examples from ace - Feb 09 2023

web moving straight ahead homework examples from ace investigation 1 walking rates ace 4 investigation 2 exploring linear relationships with graphs and tables ace 6 investigation 3 solving equations ace 12 investigation 4 exploring slope connecting rates and ratios ace 15 investigation 1 walking rates ace 4

moving straight ahead linear relationships answer key - Jun 01 2022

web moving straight ahead linear relationships answer key in this unit students will be able to identify represent and interpret linear relationships in a table equation graph verbal context understand and find the constant rate of change between two variables understand and explain the difference between linear and proportional

moving straight ahead answer key study finder - Apr 30 2022

web moving straight ahead the situation is like the race between henri and emile because the question asks when the person traveling at the greater rate will catch up to the other person downloading moving straight ahead linear relationships answer key answers investigation 3 maybe you have knowledge that moving straight ahead

moving straight ahead linear relationships answers - Jan 28 2022

web moving straight ahead linear relationships answers how can i use tables graphs and linear equations to answer questions back to math 7 textbook resources back to math 7 8 textbook resources last change sunday 16 february 2020 02 30 pm 7cmp06te ms1 qxd 2 13 06 6 28 pm page 35 answers investigation 1 ace destination

a c e answers investigation 3 inetteacher com - Nov 06 2022

web should have added 6 the correct answer is 64 5 3 4 18 43 student 2 the student s answer is wrong due to incorrect placement of the decimal point the answer is approximately 18 4 26 a to solve $5x + 10 = 20$ use the equation $5x + 10 = y$ to use a table scan down the table of y values until you come to 20 the corresponding

moving straight ahead linear relationships mrs stolp - Jul 02 2022

web moving straight ahead linear relationships week of september 9 13 investigation 1 walking rates mon 9 9 1 2 walking rates linear relationships in tables graphs and equations all of a b and c on pages 6 7 of moving straight ahead finish for homework also for homework adding and subtracting integers worksheet assigned

moving straight ahead 1 2 answer key - Dec 27 2021

web moving straight ahead linear relationships 1 4 responses to unit 6 moving straight ahead investigation 3 decision making

probability practice ace problems instructions please fill in the necessary problems to earn a maximum of 6 points according to the table below show all moving straight ahead 1 2 answer key

moving straight ahead 2 3 slideshare - Aug 03 2022

web nov 10 2009 moving straight ahead 2 3 agenda tuesday nov 10 homework 4 msa p 35 7 10 13 16 22 28 correct

homework daily scribe emily problem 2 3 comparing costs y intercept the point where the line crosses the y axis on a graph or when $x = 0$ in a table coefficient the number that multiplies a variable in an equation $y = mx + b$

moving straight ahead practice answers state college area - Jun 13 2023

web moving straight ahead practice answers skill linear relationships 1 yes 2 no 3 yes 4 no 5 y $12x + 5$ a 77 b 53 6 y $1.5x + 2.5$ a 16 b 38 50 7 y $3x + 36$ a 57 in b 120 in 8 9 investigation 2 additional practice 1 a i ii iii iv b i ii window xmin 10 xmax 10 xscl 1 ymin 10 ymax 10 yscl 1 window xmin 10 xmax 10 xscl 1 ymin

results for moving straight ahead tpt - Sep 04 2022

web created by cynthia denardo this is a color by answer quiz review for moving straight ahead investigations 2 3 it includes identifying slope and y intercepts from a table and equation they are also writing and solving equations with

answers investigation 1 corrales is - Jan 08 2023

web answers investigation 1 applications 1 a 10 3 or about 3 3 m/s the exact answer moving straight ahead 1 investigation 1 answers investigation 1 in decreasing order the bikers speeds f tables 1 3 and 4 represent linear

moving straight ahead linear relationships connected mathematics - Mar 30 2022

web jan 1 2006 are soft bound 3 hole punched to fit in students binders discover the latest buzz worthy books from mysteries and romance to humor and nonfiction 8 25 x 0 25 x 10 5 inches 4 177 487 in books see top 100 in books brief content visible double tap

moving straight ahead mrs nussdorfer s 7th grade math - Jul 14 2023

web linear relationshipp inv 1 review answers pdf file size 1938 kb file type pdf

answers investigation 2 inetteacher com - Apr 11 2023

web a it will take allie 100 s or 1 min and 40 s e ingrid s line is steeper on the graph since allie s walking rate is 2 m/s her line is closer to vertical the faster if she travels 200 m it will take her the person travels the steeper the line 200 2 100 s will be b grace will reach the fountain first

moving straight ahead linear relationships answer key copy - Feb 26 2022

web moving straight ahead linear relationships ace answers investigation 4 p s 78 moving straight ahead linear relationships answer key downloaded from thorbyteorbit com delacruz mohammed answers investigation 1 corrales is moving straight ahead linear relationships moving straight ahead linear

[moving straight ahead 7th grade math](#) - Oct 05 2022

web we will start our moving straight ahead unit by first returning to variables and patterns our first unit all documents will be linked to this page moving straight ahead inv 1 linear relationships msa problem 1 1 in class 5 5 file size 23 kb file type docx download file msa problem 1 2 in class 5 8 file size 62 kb

moving straight ahead 7th grade math - Mar 10 2023

web moving straight ahead homework and additional practice homework 1 2 check for understanding homework 1 2 tables graphs equations 1 3 identifying linear relationships practice homework 1 3 investigation one pre test on tables graphs equations practice bowling alley table graph equation practice investigation one post

[redirecting to packtpub com product ibm lotus notes](#) - Mar 21 2022

web redirecting to packtpub com product ibm lotus notes 85 user guide 9781849680202

lotus notes r5 quick reference guide fliphtml5 - Aug 26 2022

web check pages 51 64 of lotus notes r5 quick reference guide in the flip pdf version lotus notes r5 quick reference guide was published by on 2016 02 29 find more

lotus notes 4 5 for dummies quick reference guide books - Mar 01 2023

web jul 1 1997 lotus notes 4 5 for dummies quick reference provides guidelines in easy to follow instructions for tasks most often performed in lotus notes the focus ranges

[ibm lotus notes 8 5 quick source guide guide books acm](#) - Dec 18 2021

web apr 1 2009 ibm lotus notes 8 5 quick source guide skip header section ibm lotus notes 8 5 quick source guide april 2009 author quick source publisher quick

lotus notes quick reference guide - May 23 2022

web for ibm lotus notes 8 5mail quick reference guide for ibm lotus notes 8 5 3 create folders move messages to folders show or hide the preview panel flag a message for

[lotus notes r5 for dummies quick reference wiley](#) - Aug 06 2023

web from using super fast notes enhanced information searches to organizing your calendar this superb bite sized reference lotus notes r5 for dummies quick reference

ibm lotus notes getting things done - Nov 28 2022

web introduction getting the most out of lotus notes the best practices of getting things done 2 the need for simple lists 3

[lotus inotes quick reference guide amazon com](#) - Jan 19 2022

web may 1 2002 this 4 page laminated full color guide is a fantastic resource for anyone who uses lotus inotes in a concise user friendly format it provides step by step

lotus notes 8 5 mail quick reference guide cheat sheet of - Jun 23 2022

web sep 9 2009 laminated quick reference card showing step by step instructions and shortcuts for mail features of lotus notes 8 5 standard configuration this guide is

lotus notes 5 0 quick source reference guide amazon com - Jul 25 2022

web aug 1 1999 quick source reference guides also include the software program s new features and gives you quick access to time saving shortcuts the lotus notes 5 9

lotus notes 4 6 quick source guide guide books acm digital - Jun 04 2023

web jun 1 1999 this 6 page tri fold full color guide is an invaluable resource for anyone who uses lotus notes it provides step by step instructions on how to customize the

how to use lotus notes a guide for beginners - Apr 21 2022

web nov 11 2022 how to use lotus notes a guide for beginners by james prisker nov 11 2022 sacred plants lotus notes is a software application that allows users to

[lotus notes 7 quick reference guide guide books acm](#) - Apr 02 2023

web feb 1 2007 this 4 page laminated full color guide is a fantastic resource for anyone who uses lotus notes 7 in a concise user friendly format it provides step by step

ibm lotus notes 8 5 user guide book o reilly media - Jan 31 2023

web book description a practical hands on user guide and ebook with time saving tips and comprehensive instructions for using lotus notes effectively and efficiently understand

lotus notes checklist ibm - Feb 17 2022

web feb 1 2013 ibm lotus notes application accessibility checklist version 3 7 navigation provide keyboard equivalents for all navigator actions outdated kept for numbering

lotus notes r5 for dummies quick reference google books - Jul 05 2023

web from using super fast notes enhanced information searches to organizing your calendar this superb bite sized reference lotus notes r5 for dummies quick reference

lotus notes r5 quick reference guide fliphtml5 - Oct 08 2023

web feb 28 2016 check pages 1 50 of lotus notes r5 quick reference guide in the flip pdf version lotus notes r5 quick reference guide was published by on 2016 02

lotus notes 8 quick reference customguide - Sep 07 2023

web lotus notes 8 quick reference card the lotus notes 8 program screen miniview displays additional information in the mail and calendar applications navigator displays

lotus notes 7 quick reference guide guide books acm - Nov 16 2021

web lotus notes 7 quick reference guide skip header section lotus notes 7 quick reference guide february 2007 february 2007
read more authors drew sellers

[lotus notes r5 quick reference guide guide books acm](#) - May 03 2023

web lotus notes r5 quick reference guide skip header section lotus notes r5 quick reference guide january 2004 january 2004
read more authors drew sellers

elements of lotus notes ibm - Dec 30 2022

web bookmarks are links that point to lotus notes or internet elements such as applications views documents web pages and
news groups help is available throughout lotus

lotus notes release 4 for dummies quick reference guide - Oct 28 2022

web jan 1 1996 lotus notes release 4 for dummies quick reference guide books acm digital library browse books home
browse by title books lotus notes release 4 for

[lotus notes r5 quick reference guide amazon com](#) - Sep 26 2022

web jan 1 2001 this 4 page laminated full color guide is a fantastic resource for anyone who uses lotus notes r5 in a concise
user friendly format it provides step by step