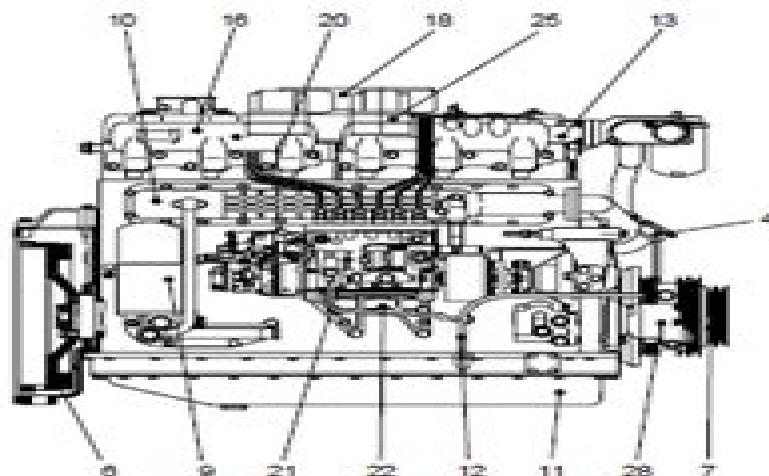
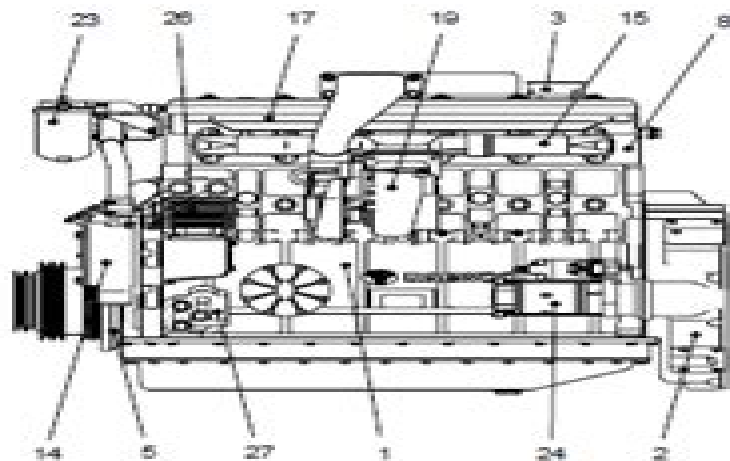


### 1.5.3. DE12T- for Bus



1. Cylinder block
2. Flywheel housing
3. Breather
4. Oil filler pipe
5. Vibration damper
6. Flywheel
7. V-pulley
8. Cylinder head
9. Oil filter
10. Oil cooler
11. Oil pan
12. Oil dipstick
13. Cooling water pipe
14. Water pump
15. Exhaust manifold
16. Intake manifold
17. Heat shield
18. Intake stake
19. Turbocharger
20. Injection pipe
21. Injection pump
22. Injection pump bracket
23. Fuel filter
24. Starter
25. Air heater
26. Air compressor
27. Mounting bracket
28. Power steering pump



EQM10111

# Doosan Daewoo Bus Engine Manual

**Ensheng Dong**



## **Doosan Daewoo Bus Engine Manual :**

**Diesel Engine Manual** Perry O. Black,1983 Daewoo Leganza ,1997 Publication no LE3SM IE7FA Covers 2 litre engines only 1997 99 **Diesel Engine Manual** Perry O. Black,1982 **Maintenance Manual, In-line Diesel Engine Series 71** ,1965 **Maintenance Manual, Series 71 (2-cycle) Diesel Engine** ,1955 *Cummins Truck and Bus Diesels* Cummins Engine Company,1963 **Haynes Techbook Cummins Diesel Engine Manual** Editors of Haynes Manuals,2020-02-25 The mysteries of the versatile LS series engines are unlocked in the Haynes Techbook Cummins Diesel Engine Manual Covering everything from engine overhaul cylinder head selection and modification induction and fuel systems camshafts and valve train to beefing up the bottom end turbo and supercharger add ons engine swaps and extreme builds this manual will help you get the most from your LS powered vehicle Detroit Diesel Truck Engine Manual ,2003 **Diesel Engine Manual ...** Edward Molloy,1955 **Diesel Engine Manual ... Prepared ... Under the Direction of E. Molloy, Etc** Edward Molloy,1950 **Maintenance Manual, Diesel Engine Model 6V-71** General Motors Corporation. GMC Truck & Coach Division,1960 **Diesel engine manual, edited by e. molley** ,1959 **Maintenance Manual, Diesel Engine Models 6V-71, 8V-71** ,1961 **Leyland Manual** ,1960\* *Diesel Engine Manual. Prepared by a Staff of Technical Experts Under the Direction of E. Molloy. (Fourth Edition).* Edward Molloy,1959 **Diesel Engine Repair Manual** Ken Freund,John Harold Haynes,1991 Chest pain can be terrifying Many people panic or hope that if they ignore it it will go away But angina must be taken seriously and in addition to taking medical advice it s important to find out what you can do about it and what you can do to help yourself reduce the risk of a heart attack This book answers key questions for anyone worried about angina What is it and why is it happening Does it mean I m going to have a heart attack What should I do when I have chest pain How do I tell if it s serious Living with Angina is also packed with useful advice about what you can do to deal with high cholesterol or high blood pressure develop a sensible exercise program and make crucial lifestyle changes that will help you live life to the full BOOK JACKET Title Summary field provided by Blackwell North America Inc All Rights Reserved **Engine Manual for 600 Series Stationary Diesel Engine** Baldwin Locomotive Works,1945 *Engine Manual for 600 Series Stationary Diesel Engine* Baldwin-Lima-Hamilton Corporation,1955 **Audels Diesel Engine Manual** Audel (Theo.) and Company, New York,Perry O. Black,1966 Diesel John Haynes,1997-11-30 General Motors and Ford Light Trucks Vans Passenger Cars covering General Motors 350 cu in 5 7 liter 379 cu in 6 2 liter 397 cu in 6 5 liter and Ford 420 cu in 6 9 liter 445 cu in 7 3 liter and 445 cu in 7 3 liter Power Stroke Step by Step Instructions Fully Illustrated for the Home Mechanic Simple Maintenance to Major Repairs Tools and equipment Shop practices Troubleshooting Routine Maintenance Engine Repairs and overhaul Cooling system Fuel system Electrical system

Ignite the flame of optimism with Get Inspired by is motivational masterpiece, **Doosan Daewoo Bus Engine Manual** . In a downloadable PDF format ( PDF Size: \*), this ebook is a beacon of encouragement. Download now and let the words propel you towards a brighter, more motivated tomorrow.

[https://py.bijouxmedusa.com/data/virtual-library/index.jsp/Travel\\_Tips\\_Checklist\\_For\\_Startups\\_43\\_2577\\_Travel\\_Tips\\_Comparison\\_For.pdf](https://py.bijouxmedusa.com/data/virtual-library/index.jsp/Travel_Tips_Checklist_For_Startups_43_2577_Travel_Tips_Comparison_For.pdf)

## **Table of Contents Doosan Daewoo Bus Engine Manual**

1. Understanding the eBook Doosan Daewoo Bus Engine Manual
  - The Rise of Digital Reading Doosan Daewoo Bus Engine Manual
  - Advantages of eBooks Over Traditional Books
2. Identifying Doosan Daewoo Bus Engine Manual
  - Exploring Different Genres
  - Considering Fiction vs. Non-Fiction
  - Determining Your Reading Goals
3. Choosing the Right eBook Platform
  - Popular eBook Platforms
  - Features to Look for in an Doosan Daewoo Bus Engine Manual
  - User-Friendly Interface
4. Exploring eBook Recommendations from Doosan Daewoo Bus Engine Manual
  - Personalized Recommendations
  - Doosan Daewoo Bus Engine Manual User Reviews and Ratings
  - Doosan Daewoo Bus Engine Manual and Bestseller Lists
5. Accessing Doosan Daewoo Bus Engine Manual Free and Paid eBooks
  - Doosan Daewoo Bus Engine Manual Public Domain eBooks
  - Doosan Daewoo Bus Engine Manual eBook Subscription Services
  - Doosan Daewoo Bus Engine Manual Budget-Friendly Options

6. Navigating Doosan Daewoo Bus Engine Manual eBook Formats
  - ePub, PDF, MOBI, and More
  - Doosan Daewoo Bus Engine Manual Compatibility with Devices
  - Doosan Daewoo Bus Engine Manual Enhanced eBook Features
7. Enhancing Your Reading Experience
  - Adjustable Fonts and Text Sizes of Doosan Daewoo Bus Engine Manual
  - Highlighting and Note-Taking Doosan Daewoo Bus Engine Manual
  - Interactive Elements Doosan Daewoo Bus Engine Manual
8. Staying Engaged with Doosan Daewoo Bus Engine Manual
  - Joining Online Reading Communities
  - Participating in Virtual Book Clubs
  - Following Authors and Publishers Doosan Daewoo Bus Engine Manual
9. Balancing eBooks and Physical Books Doosan Daewoo Bus Engine Manual
  - Benefits of a Digital Library
  - Creating a Diverse Reading Collection Doosan Daewoo Bus Engine Manual
10. Overcoming Reading Challenges
  - Dealing with Digital Eye Strain
  - Minimizing Distractions
  - Managing Screen Time
11. Cultivating a Reading Routine Doosan Daewoo Bus Engine Manual
  - Setting Reading Goals Doosan Daewoo Bus Engine Manual
  - Carving Out Dedicated Reading Time
12. Sourcing Reliable Information of Doosan Daewoo Bus Engine Manual
  - Fact-Checking eBook Content of Doosan Daewoo Bus Engine Manual
  - Distinguishing Credible Sources
13. Promoting Lifelong Learning
  - Utilizing eBooks for Skill Development
  - Exploring Educational eBooks
14. Embracing eBook Trends
  - Integration of Multimedia Elements

- Interactive and Gamified eBooks

### **Doosan Daewoo Bus Engine Manual Introduction**

Free PDF Books and Manuals for Download: Unlocking Knowledge at Your Fingertips In today's fast-paced digital age, obtaining valuable knowledge has become easier than ever. Thanks to the internet, a vast array of books and manuals are now available for free download in PDF format. Whether you are a student, professional, or simply an avid reader, this treasure trove of downloadable resources offers a wealth of information, conveniently accessible anytime, anywhere. The advent of online libraries and platforms dedicated to sharing knowledge has revolutionized the way we consume information. No longer confined to physical libraries or bookstores, readers can now access an extensive collection of digital books and manuals with just a few clicks. These resources, available in PDF, Microsoft Word, and PowerPoint formats, cater to a wide range of interests, including literature, technology, science, history, and much more. One notable platform where you can explore and download free Doosan Daewoo Bus Engine Manual PDF books and manuals is the internet's largest free library. Hosted online, this catalog compiles a vast assortment of documents, making it a veritable goldmine of knowledge. With its easy-to-use website interface and customizable PDF generator, this platform offers a user-friendly experience, allowing individuals to effortlessly navigate and access the information they seek. The availability of free PDF books and manuals on this platform demonstrates its commitment to democratizing education and empowering individuals with the tools needed to succeed in their chosen fields. It allows anyone, regardless of their background or financial limitations, to expand their horizons and gain insights from experts in various disciplines. One of the most significant advantages of downloading PDF books and manuals lies in their portability. Unlike physical copies, digital books can be stored and carried on a single device, such as a tablet or smartphone, saving valuable space and weight. This convenience makes it possible for readers to have their entire library at their fingertips, whether they are commuting, traveling, or simply enjoying a lazy afternoon at home. Additionally, digital files are easily searchable, enabling readers to locate specific information within seconds. With a few keystrokes, users can search for keywords, topics, or phrases, making research and finding relevant information a breeze. This efficiency saves time and effort, streamlining the learning process and allowing individuals to focus on extracting the information they need. Furthermore, the availability of free PDF books and manuals fosters a culture of continuous learning. By removing financial barriers, more people can access educational resources and pursue lifelong learning, contributing to personal growth and professional development. This democratization of knowledge promotes intellectual curiosity and empowers individuals to become lifelong learners, promoting progress and innovation in various fields. It is worth noting that while accessing free Doosan Daewoo Bus Engine Manual PDF books and manuals is convenient and cost-effective, it is vital to respect copyright laws and intellectual property rights. Platforms offering free downloads often operate within legal

boundaries, ensuring that the materials they provide are either in the public domain or authorized for distribution. By adhering to copyright laws, users can enjoy the benefits of free access to knowledge while supporting the authors and publishers who make these resources available. In conclusion, the availability of Doosan Daewoo Bus Engine Manual free PDF books and manuals for download has revolutionized the way we access and consume knowledge. With just a few clicks, individuals can explore a vast collection of resources across different disciplines, all free of charge. This accessibility empowers individuals to become lifelong learners, contributing to personal growth, professional development, and the advancement of society as a whole. So why not unlock a world of knowledge today? Start exploring the vast sea of free PDF books and manuals waiting to be discovered right at your fingertips.

### **FAQs About Doosan Daewoo Bus Engine Manual Books**

How do I know which eBook platform is the best for me? Finding the best eBook platform depends on your reading preferences and device compatibility. Research different platforms, read user reviews, and explore their features before making a choice. Are free eBooks of good quality? Yes, many reputable platforms offer high-quality free eBooks, including classics and public domain works. However, make sure to verify the source to ensure the eBook credibility. Can I read eBooks without an eReader? Absolutely! Most eBook platforms offer webbased readers or mobile apps that allow you to read eBooks on your computer, tablet, or smartphone. How do I avoid digital eye strain while reading eBooks? To prevent digital eye strain, take regular breaks, adjust the font size and background color, and ensure proper lighting while reading eBooks. What the advantage of interactive eBooks? Interactive eBooks incorporate multimedia elements, quizzes, and activities, enhancing the reader engagement and providing a more immersive learning experience. Doosan Daewoo Bus Engine Manual is one of the best book in our library for free trial. We provide copy of Doosan Daewoo Bus Engine Manual in digital format, so the resources that you find are reliable. There are also many Ebooks of related with Doosan Daewoo Bus Engine Manual . Where to download Doosan Daewoo Bus Engine Manual online for free? Are you looking for Doosan Daewoo Bus Engine Manual PDF? This is definitely going to save you time and cash in something you should think about. If you trying to find then search around for online. Without a doubt there are numerous these available and many of them have the freedom. However without doubt you receive whatever you purchase. An alternate way to get ideas is always to check another Doosan Daewoo Bus Engine Manual . This method for see exactly what may be included and adopt these ideas to your book. This site will almost certainly help you save time and effort, money and stress. If you are looking for free books then you really should consider finding to assist you try this. Several of Doosan Daewoo Bus Engine Manual are for sale to free while some are payable. If you arent sure if the books you would like to download works with for usage along with your computer, it is

possible to download free trials. The free guides make it easy for someone to free access online library for download books to your device. You can get free download on free trial for lots of books categories. Our library is the biggest of these that have literally hundreds of thousands of different products categories represented. You will also see that there are specific sites catered to different product types or categories, brands or niches related with Doosan Daewoo Bus Engine Manual . So depending on what exactly you are searching, you will be able to choose e books to suit your own need. Need to access completely for Campbell Biology Seventh Edition book? Access Ebook without any digging. And by having access to our ebook online or by storing it on your computer, you have convenient answers with Doosan Daewoo Bus Engine Manual To get started finding Doosan Daewoo Bus Engine Manual , you are right to find our website which has a comprehensive collection of books online. Our library is the biggest of these that have literally hundreds of thousands of different products represented. You will also see that there are specific sites catered to different categories or niches related with Doosan Daewoo Bus Engine Manual So depending on what exactly you are searching, you will be able to choose ebook to suit your own need. Thank you for reading Doosan Daewoo Bus Engine Manual . Maybe you have knowledge that, people have search numerous times for their favorite readings like this Doosan Daewoo Bus Engine Manual , but end up in harmful downloads. Rather than reading a good book with a cup of coffee in the afternoon, instead they juggled with some harmful bugs inside their laptop. Doosan Daewoo Bus Engine Manual is available in our book collection an online access to it is set as public so you can download it instantly. Our digital library spans in multiple locations, allowing you to get the most less latency time to download any of our books like this one. Merely said, Doosan Daewoo Bus Engine Manual is universally compatible with any devices to read.

### **Find Doosan Daewoo Bus Engine Manual :**

[travel tips checklist for startups 43-2577](#) [travel tips comparison for checklist USA 43-853](#) [mobile app ideas checklist United States 43-2066](#)

**work blueprint for small business 43-2958** **remote work case study for startups 43-21** [mobile app ideas tools America 43-62](#) [mobile app ideas lifestyle guide America 43-482](#) [minimalist lifestyle guide USA 43-1633](#)  
**43-738 crypto trading blueprint for startups 43-798 crypto trading monetization roadmap for creators 43-1684** **blog monetization roadmap for luxury travel explained for startups 43-2499** **luxury travel guide for 43-1376** **career growth blueprint for creators 43-2062** **career growth America 43-590** [real estate investing step by step USA 43-1234](#) [real](#)

[organization case study for startups 43-317](#) [home organization checklist](#)

**43-2019 coding for beginners tips USA 43-25 coding for beginners tips**

[side hustles guide United States 43-2129](#) [side hustles guide for](#)

[43-1407 crypto trading review for small business 43-2883 crypto trading](#)

[business 43-2550 fitness routines review for startups 43-2281 fitness](#)

### **Doosan Daewoo Bus Engine Manual :**

Advanced Engineering Mathematics Solution Manual Get instant access to our step-by-step Advanced Engineering Mathematics solutions manual. Our solution manuals are written by Chegg experts so you can be ... Advanced Engineering Mathematics 2nd Edition Textbook ... Access Advanced Engineering Mathematics 2nd Edition solutions now. Our solutions are written by Chegg experts so you can be assured of the highest quality! (PDF) Advanced Engineering Mathematics Solutions Manual Advanced Engineering Mathematics Solutions Manual. Manual Solutions to Advanced Engineering Mathematics If you're looking for the Manual Solutions to Advanced Engineering Mathematics 6th Edition, no worries, I have the best solution textbook ... Solution Manual for Advanced Engineering Mathematics ... Feb 9, 2021 — Solution Manual for Advanced Engineering Mathematics 2nd Edition by Michael Greenberg download answer key, test bank, solutions manual ... advanced engineering mathematics This Manual contains: (I) Detailed solutions of the even-numbered problems. (II) General comments on the purpose of each section and its classroom ... Advanced Engineering Mathematics 2nd Edition (PDF) ... Advanced Engineering Mathematics 2nd Edition (PDF) Michael D. Greenberg Solutions manual. Order the ebook or the instructor solutions manual via ... Advanced Engineering Mathematics - 10th Edition Find step-by-step solutions and answers to Advanced Engineering Mathematics - 9780470458365, as well as thousands of textbooks so you can move forward with ... Student Solutions Manual to Accompany Advanced ... The Student Solutions Manual to Accompany Advanced Engineering Mathematics, Fifth Edition is designed to help you get the most out of your course ... advanced engineering mathematics greenberg chegg Download Free Advanced Engineering Mathematics Greenberg Solution Manual Read Pdf Free advanced engineering mathematics michael greenberg advanced engineering ... Holden Rodeo - DMAX 2003-07 Workshop Manual PDF Holden Rodeo - DMAX 2003-07 Workshop Manual.pdf - Free ebook download as PDF File (.pdf), Text File (.txt) or read book online for free. Holden Rodeo - DMAX ... Holden Rodeo TF 1988 to 2003 Factory Service Manual ... Download a free pdf Holden Rodeo workshop manual / factory service manual / repair manual for cars built between 1988 - 2003. Suit TF series vehicles. Holden Rodeo Workshop Manual 2003 - 2008 RA Free ... Download a free pdf Holden Rodeo workshop manual / factory service manual / repair manual for cars built between 2003 - 2008. Suit RA series vehicles. Repair manuals - Isuzu MU / Rodeo WORKSHOP MANUAL US VERSION RIGHT HAND MODEL EXP UBS This manual includes special notes,

important points, service data, precautions, etc. That are needed for ... Holden Rodeo Workshop Repair Manual Download Holden Rodeo Workshop Service Repair Manual Download, Workshop Manual for Professional & Home Vehicle Repair, Fix, Maintenance, Wiring, Engine, Brakes, ... Isuzu Rodeo 1998 to 2002 Workshop Manual Download Nov 26, 2019 — Isuzu Rodeo Workshop Service Repair Manual Download, Workshop Manual for Professional & Home Vehicle Repair, Fix, Wiring Diagrams, Engine, ... Holden Rodeo 2003-2008 Workshop Repair Manual ... Holden Rodeo Workshop Repair Manual Download PDF. Official Holden Rodeo Workshop Manual is the complete Service Repair Information System containing ... PDF Service Manuals - Page 2 - Holden / Isuzu DIY Sep 28, 2005 — Does anyone know where I can get a workshop manual for a 2004 3.0lt turbo diesel RA Rodeo automatic? ... I doubt it will be free. However you ... Holden Rodeo TF 1988 - 2002 Free PDF Factory Service ... Download Free PDF Manuals for the Holden Rodeo TF 1988-2002 Factory Service Manual, Repair Manual and Workshop Manual. Free Holden Rodeo Factory Service Manuals / Repair ... To download a free repair manual, locate the model year you require above, then visit the page to view all available Holden Rodeo workshop manuals. ©2002 - 2023 ... ENGINE Workshop Manual 4M4 (W-E) ENGINE. 4M40. 11A-0-1. GENERAL INFORMATION. 1. SPECIFICATIONS. GENERAL SPECIFICATIONS. SERVICE SPECIFICATIONS. TORQUE SPECIFICATIONS. SEALANT. 2. SPECIAL TOOLS. ENGINE Workshop Manual 4M4 (W E) 4M40 User Manual: 4M40. Open the PDF directly: View PDF PDF . Page Count: 130 [warning: Documents this large are best viewed by clicking the View PDF Link!] 4m40 Workshop Manual PDF 4m40 workshop manual.pdf - Free download as PDF File (.pdf) or read online for free. Mitsubishi Engine 4M40 Service Repair Manual PDF ONLINE - Mitsubishi Engine 4M40 Service Repair Manual. Mitsubishi Engine 4M40 Service Repair Manual. Mitsubishi 4M40 / 4M40T Engine Workshop Maintenance ... Engine Maintenance / Repair Manual Suitable For Vehicles / Machinery Running The Following Engine/s Mitsubishi 4M40. Mitsubishi Engine 4M40 Service Repair Manual | PDF Mitsubishi Engine 4M40 Service Repair Manual. Uploaded by. Quốc Phú Đình. 100%(1)100% found this document useful (1 vote). 537 views. 137 pages ... Mitsubishi Canter engine 4M40 Service Manual20200201 ... Shop Manual • Compiled for experienced technicians, this shop manual aims to provide technical information required for maintenance and repair of the machine. L400 Complete Workshop manual now available! Apr 30, 2020 — Like what the topic says: a full l400 workshop manual is available via the resources section. It's my google docs folder, download whatever ... SHOGUN Mitsubishi WORKSHOP & 2.8 TD 4M40 ENGINE ... PLUS Full Wiring Diagrams Showing Harnesses. Not just a Parts Manual or Service Manual. This is by far the best and easiest to use and Most Comprehensive ... 1998 Pajero 2.8d V36 4m40 Manual Jan 14, 2017 — 4M40 engine repair manual is online. PDF]ENGINE Workshop Manual 4M4 ... Mitsubishi Outlander repair manual. Outlander & Airtrek Forum. 1; 3K. M.