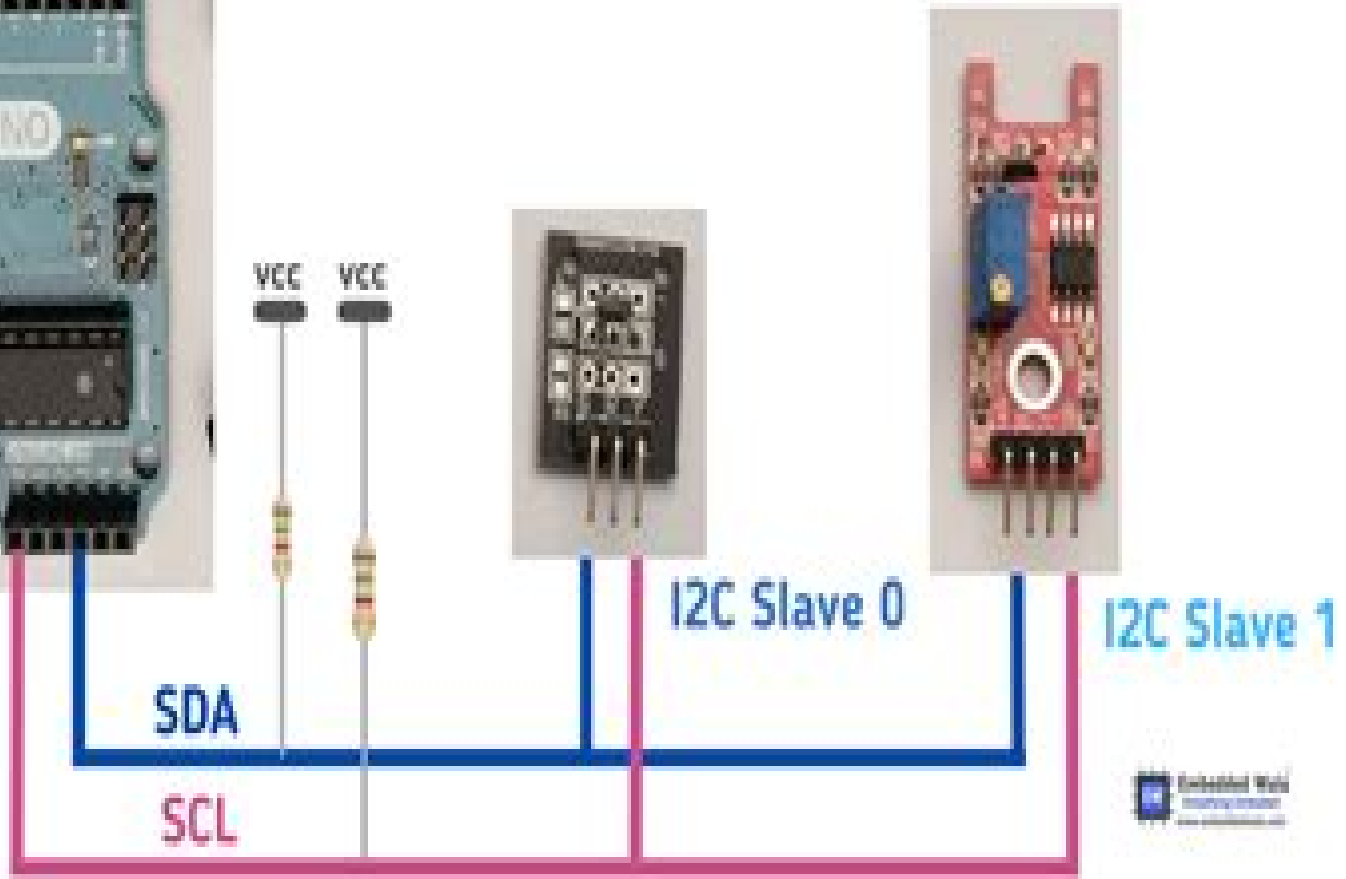


I2C



I2C Master



I2c C Master

CH Cherryholmes



I2c C Master:

ESpectro32 Technical Workshop Agus Kurniawan, **Networking and Internetworking with Microcontrollers**

Fred Eady,2004-02-04 One stop information source for embedded engineers to learn the theory and real world application of creating embedded networking systems with detailed fully functional design examples schematics and source code

Practical Microcontroller Engineering with ARM Technology Ying Bai,2015-12-01 The first microcontroller textbook to provide complete and systemic introductions to all components and materials related to the ARM Cortex M4 microcontroller system including hardware and software as well as practical applications with real examples This book covers both the fundamentals as well as practical techniques in designing and building microcontrollers in industrial and commercial applications Examples included in this book have been compiled built and tested Includes Both ARM assembly and C codes Direct Register Access DRA model and the Software Driver SD model programming techniques and discussed If you are an instructor and adopted this book for your course please email ieeeproposals@wiley.com to get access to the instructor files for this book

Microcontroller Engineering with MSP432 Ying Bai,2016-11-03 This book aims to develop professional and practical microcontroller applications in the ARM MDK environment with Texas Instruments MSP432P401R LaunchPad kits It introduces ARM Cortex M4 MCU by highlighting the most important elements including registers pipelines memory and I O ports With the updated MSP432P401R Evaluation Board EVB MSP EXP432P401R this MCU provides various control functions with multiple peripherals to enable users to develop and build various modern control projects with rich control strategies Micro controller programming is approached with basic and straightforward programming codes to reduce learning curves and furthermore to enable students to build embedded applications in more efficient and interesting ways For authentic examples 37 Class programming projects are built into the book that use MSP432P401R MCU Additionally approximately 40 Lab programming projects with MSP432P401R MCU are included to be assigned as homework

SparkFun ESP32 Thing Development Workshop Agus Kurniawan, SparkFun ESP32 Thing is a development board based on ESP32 This book helps you to get started with ESP32 programming using SparkFun ESP32 Thing board and Espressif IoT Development Framework The following is highlight topic in this book Preparing Development Environment Setting Up SparkFun ESP32 Thing GPIO Programming UART Touch Pad PWM and Analog Input Working with I2C Working with SPI Connecting to a Network Bluetooth programming

Embedded Hardware: Know It All Jack Ganssle,Tammy Noergaard,Fred Eady,Lewin Edwards,David J. Katz,Rick Gentile,Ken Arnold,Kamal Hyder,Bob Perrin,2007-09-14 The Newnes Know It All Series takes the best of what our authors have written to create hard working desk references that will be an engineer s first port of call for key information design techniques and rules of thumb Guaranteed not to gather dust on a shelf Circuit design using microcontrollers is both a science and an art This book covers it all It details all of the essential theory and facts to help an engineer design a robust embedded system Processors memory and the hot topic of interconnects I O are completely

covered Our authors bring a wealth of experience and ideas this is a must own book for any embedded designer A 360 degree view from best selling authors including Jack Ganssle Tammy Noergard and Fred Eady Key facts techniques and applications fully detailed The ultimate hard working desk reference all the essential information techniques and tricks of the trade in one volume

ARM Microprocessor Systems Muhammad Tahir, Kashif Javed, 2017-02-17 This book presents the use of a microprocessor based digital system in our daily life Its bottom up approach ensures that all the basic building blocks are covered before the development of a real life system The ultimate goal of the book is to equip students with all the fundamental building blocks as well as their integration allowing them to implement the applications they have dreamed up with minimum effort

FPGA Prototyping by VHDL Examples Pong P. Chu, 2018-01-25 A hands on introduction to FPGA prototyping and SoC design This Second Edition of the popular book follows the same learning by doing approach to teach the fundamentals and practices of VHDL synthesis and FPGA prototyping It uses a coherent series of examples to demonstrate the process to develop sophisticated digital circuits and IP intellectual property cores integrate them into an SoC system on a chip framework realize the system on an FPGA prototyping board and verify the hardware and software operation The examples start with simple gate level circuits progress gradually through the RT register transfer level modules and lead to a functional embedded system with custom I O peripherals and hardware accelerators Although it is an introductory text the examples are developed in a rigorous manner and the derivations follow strict design guidelines and coding practices used for large complex digital systems The new edition is completely updated It presents the hardware design in the SoC context and introduces the hardware software co design concept Instead of treating examples as isolated entities the book integrates them into a single coherent SoC platform that allows readers to explore both hardware and software programmability and develop complex and interesting embedded system projects The revised edition Adds four general purpose IP cores which are multi channel PWM pulse width modulation controller I2C controller SPI controller and XADC Xilinx analog to digital converter controller Introduces a music synthesizer constructed with a DDFS direct digital frequency synthesis module and an ADSR attack decay sustain release envelop generator Expands the original video controller into a complete stream based video subsystem that incorporates a video synchronization circuit a test pattern generator an OSD on screen display controller a sprite generator and a frame buffer Introduces basic concepts of software hardware co design with Xilinx MicroBlaze MCS soft core processor Provides an overview of bus interconnect and interface circuit Introduces basic embedded system software development Suggests additional modules and peripherals for interesting and challenging projects The FPGA Prototyping by VHDL Examples Second Edition makes a natural companion text for introductory and advanced digital design courses and embedded system course It also serves as an ideal self teaching guide for practicing engineers who wish to learn more about this emerging area of interest

Programming and Customizing the PIC Microcontroller Michael Predko, 1998 Microchip s PIC microcontroller is rapidly becoming the microcontroller of

choice throughout the world This hands on tutorial and disk provide everything electronic designers engineers and advanced hobbyists need to tap the power of this invaluable chip the most complete description of PIC available over 30 experiments and ten complete PIC application projects a full set of DOS and Windows PIC development tools reusable source code and a complete PIC application program that can easily be tailored to the reader s needs Programmable Microcontrollers with Applications Cem Unsalan,H. Deniz Gurhan,2013-09-17 Publisher s Note Products purchased from Third Party sellers are not guaranteed by the publisher for quality authenticity or access to any online entitlements included with the product MASTER THE MSP430 MICROCONTROLLER AND DEVELOPMENT PLATFORM Expand your electronics design skills to include the MSP430 family of ultra low power microprocessors with help from this practical guide Programmable Microcontrollers with Applications MSP430 LaunchPad with CCS and Grace thoroughly explains each concept and provides illustrated examples and projects Find out how to configure the MSP430 efficiently program custom functions process analog and digital signals and interface with external components Sample code and reference information are available on the companion website COVERAGE INCLUDES Digital circuit and microcontroller fundamentals MSP430 architecture and CCS development environment LaunchPad platform and Grace configuration tool C and Assembly language programming and debugging Interrupts digital I O and D A and A D converters Data storage and coding practices for flash memory Oscillators clocks low power modes and timers Digital and analog communication ports and protocols Schematics and assembly instructions for 12 projects *Programmable Microcontrollers: Applications on the MSP432 LaunchPad* Cem Unsalan,H. Deniz Gurhan,M. Erkin Yucel,2017-12-08 Develop and Deploy Powerful MSP432 Microcontroller Applications Bolster your electronics skills and learn to work with the cutting edge MSP432 microcontroller using the practical information contained in this comprehensive guide Programmable Microcontrollers Applications on the MSP432 LaunchPad clearly explains each concept and features detailed illustrations real world examples and DIY projects Discover how to configure the MSP432 program custom functions interface with external hardware and communicate via WiFi Ideal for practicing engineers and hobbyists alike this hands on guide empowers you to program all microcontrollers by thoroughly understanding the MSP432 Coverage includes MSP432 architecture Code Composer Studio CCS CCS Cloud and Energia MSP432 programming with C and Assembly Digital I O Exceptions and interrupts Power management and timing operations Mixed signal systems Digital and wireless communication Flash memory RAM and direct memory access Real time operating system Advanced applications

IC Master ,1999 *New Music Review and Church Music Review* ,1905 *The New Music Review and Church Music Review* ,1921 *Conference Proceedings* ,1984 Electronic Design ,2001 *EDN* ,2007 **EDN, Electrical Design News** ,2004 Digital Signal Processing Using the Motorola DSP Family Robert J. Simpson,1994 This tutorial reference focuses on both the hardware and software features of the Motorola DSP family of processors that have been developed to satisfy a wide range of digital signal process applications It introduces features architectures characteristics and more of

DSProcessors *PowerPC MPC823 User's Manual ,1998*

Decoding **I2c C Master**: Revealing the Captivating Potential of Verbal Expression

In an era characterized by interconnectedness and an insatiable thirst for knowledge, the captivating potential of verbal expression has emerged as a formidable force. Its ability to evoke sentiments, stimulate introspection, and incite profound transformations is genuinely awe-inspiring. Within the pages of "**I2c C Master**," a mesmerizing literary creation penned by way of a celebrated wordsmith, readers attempt an enlightening odyssey, unraveling the intricate significance of language and its enduring impact on our lives. In this appraisal, we shall explore the book's central themes, evaluate its distinctive writing style, and gauge its pervasive influence on the hearts and minds of its readership.

https://py.bijouxmedusa.com/results/browse/index.jsp/Introduction_To_Fluid_Dynamics_Middleman_Solutions_Manual.pdf

Table of Contents I2c C Master

1. Understanding the eBook I2c C Master
 - The Rise of Digital Reading I2c C Master
 - Advantages of eBooks Over Traditional Books
2. Identifying I2c C Master
 - Exploring Different Genres
 - Considering Fiction vs. Non-Fiction
 - Determining Your Reading Goals
3. Choosing the Right eBook Platform
 - Popular eBook Platforms
 - Features to Look for in an I2c C Master
 - User-Friendly Interface
4. Exploring eBook Recommendations from I2c C Master
 - Personalized Recommendations
 - I2c C Master User Reviews and Ratings
 - I2c C Master and Bestseller Lists

5. Accessing I2c C Master Free and Paid eBooks
 - I2c C Master Public Domain eBooks
 - I2c C Master eBook Subscription Services
 - I2c C Master Budget-Friendly Options
6. Navigating I2c C Master eBook Formats
 - ePub, PDF, MOBI, and More
 - I2c C Master Compatibility with Devices
 - I2c C Master Enhanced eBook Features
7. Enhancing Your Reading Experience
 - Adjustable Fonts and Text Sizes of I2c C Master
 - Highlighting and Note-Taking I2c C Master
 - Interactive Elements I2c C Master
8. Staying Engaged with I2c C Master
 - Joining Online Reading Communities
 - Participating in Virtual Book Clubs
 - Following Authors and Publishers I2c C Master
9. Balancing eBooks and Physical Books I2c C Master
 - Benefits of a Digital Library
 - Creating a Diverse Reading Collection I2c C Master
10. Overcoming Reading Challenges
 - Dealing with Digital Eye Strain
 - Minimizing Distractions
 - Managing Screen Time
11. Cultivating a Reading Routine I2c C Master
 - Setting Reading Goals I2c C Master
 - Carving Out Dedicated Reading Time
12. Sourcing Reliable Information of I2c C Master
 - Fact-Checking eBook Content of I2c C Master
 - Distinguishing Credible Sources
13. Promoting Lifelong Learning

- Utilizing eBooks for Skill Development
 - Exploring Educational eBooks
14. Embracing eBook Trends
- Integration of Multimedia Elements
 - Interactive and Gamified eBooks

I2c C Master Introduction

In today's digital age, the availability of I2c C Master books and manuals for download has revolutionized the way we access information. Gone are the days of physically flipping through pages and carrying heavy textbooks or manuals. With just a few clicks, we can now access a wealth of knowledge from the comfort of our own homes or on the go. This article will explore the advantages of I2c C Master books and manuals for download, along with some popular platforms that offer these resources. One of the significant advantages of I2c C Master books and manuals for download is the cost-saving aspect. Traditional books and manuals can be costly, especially if you need to purchase several of them for educational or professional purposes. By accessing I2c C Master versions, you eliminate the need to spend money on physical copies. This not only saves you money but also reduces the environmental impact associated with book production and transportation. Furthermore, I2c C Master books and manuals for download are incredibly convenient. With just a computer or smartphone and an internet connection, you can access a vast library of resources on any subject imaginable. Whether you're a student looking for textbooks, a professional seeking industry-specific manuals, or someone interested in self-improvement, these digital resources provide an efficient and accessible means of acquiring knowledge. Moreover, PDF books and manuals offer a range of benefits compared to other digital formats. PDF files are designed to retain their formatting regardless of the device used to open them. This ensures that the content appears exactly as intended by the author, with no loss of formatting or missing graphics. Additionally, PDF files can be easily annotated, bookmarked, and searched for specific terms, making them highly practical for studying or referencing. When it comes to accessing I2c C Master books and manuals, several platforms offer an extensive collection of resources. One such platform is Project Gutenberg, a nonprofit organization that provides over 60,000 free eBooks. These books are primarily in the public domain, meaning they can be freely distributed and downloaded. Project Gutenberg offers a wide range of classic literature, making it an excellent resource for literature enthusiasts. Another popular platform for I2c C Master books and manuals is Open Library. Open Library is an initiative of the Internet Archive, a non-profit organization dedicated to digitizing cultural artifacts and making them accessible to the public. Open Library hosts millions of books, including both public domain works and contemporary titles. It also allows users to borrow digital copies of certain books for a limited period, similar to a library lending system. Additionally, many

universities and educational institutions have their own digital libraries that provide free access to PDF books and manuals. These libraries often offer academic texts, research papers, and technical manuals, making them invaluable resources for students and researchers. Some notable examples include MIT OpenCourseWare, which offers free access to course materials from the Massachusetts Institute of Technology, and the Digital Public Library of America, which provides a vast collection of digitized books and historical documents. In conclusion, I2c C Master books and manuals for download have transformed the way we access information. They provide a cost-effective and convenient means of acquiring knowledge, offering the ability to access a vast library of resources at our fingertips. With platforms like Project Gutenberg, Open Library, and various digital libraries offered by educational institutions, we have access to an ever-expanding collection of books and manuals. Whether for educational, professional, or personal purposes, these digital resources serve as valuable tools for continuous learning and self-improvement. So why not take advantage of the vast world of I2c C Master books and manuals for download and embark on your journey of knowledge?

FAQs About I2c C Master Books

How do I know which eBook platform is the best for me? Finding the best eBook platform depends on your reading preferences and device compatibility. Research different platforms, read user reviews, and explore their features before making a choice. Are free eBooks of good quality? Yes, many reputable platforms offer high-quality free eBooks, including classics and public domain works. However, make sure to verify the source to ensure the eBook credibility. Can I read eBooks without an eReader? Absolutely! Most eBook platforms offer webbased readers or mobile apps that allow you to read eBooks on your computer, tablet, or smartphone. How do I avoid digital eye strain while reading eBooks? To prevent digital eye strain, take regular breaks, adjust the font size and background color, and ensure proper lighting while reading eBooks. What the advantage of interactive eBooks? Interactive eBooks incorporate multimedia elements, quizzes, and activities, enhancing the reader engagement and providing a more immersive learning experience. I2c C Master is one of the best book in our library for free trial. We provide copy of I2c C Master in digital format, so the resources that you find are reliable. There are also many Ebooks of related with I2c C Master. Where to download I2c C Master online for free? Are you looking for I2c C Master PDF? This is definitely going to save you time and cash in something you should think about. If you trying to find then search around for online. Without a doubt there are numerous these available and many of them have the freedom. However without doubt you receive whatever you purchase. An alternate way to get ideas is always to check another I2c C Master. This method for see exactly what may be included and adopt these ideas to your book. This site will almost certainly help you save time and effort, money and stress. If you are looking for free books then you really should consider finding to

assist you try this. Several of I2c C Master are for sale to free while some are payable. If you arent sure if the books you would like to download works with for usage along with your computer, it is possible to download free trials. The free guides make it easy for someone to free access online library for download books to your device. You can get free download on free trial for lots of books categories. Our library is the biggest of these that have literally hundreds of thousands of different products categories represented. You will also see that there are specific sites catered to different product types or categories, brands or niches related with I2c C Master. So depending on what exactly you are searching, you will be able to choose e books to suit your own need. Need to access completely for Campbell Biology Seventh Edition book? Access Ebook without any digging. And by having access to our ebook online or by storing it on your computer, you have convenient answers with I2c C Master To get started finding I2c C Master, you are right to find our website which has a comprehensive collection of books online. Our library is the biggest of these that have literally hundreds of thousands of different products represented. You will also see that there are specific sites catered to different categories or niches related with I2c C Master So depending on what exactly you are searching, you will be able to choose ebook to suit your own need. Thank you for reading I2c C Master. Maybe you have knowledge that, people have search numerous times for their favorite readings like this I2c C Master, but end up in harmful downloads. Rather than reading a good book with a cup of coffee in the afternoon, instead they juggled with some harmful bugs inside their laptop. I2c C Master is available in our book collection an online access to it is set as public so you can download it instantly. Our digital library spans in multiple locations, allowing you to get the most less latency time to download any of our books like this one. Merely said, I2c C Master is universally compatible with any devices to read.

Find I2c C Master :**introduction to fluid dynamics middleman solutions manual**[incise soul net](#)[in real life cory doctorow](#)**image and reality of the israel palestine conflict norman g finkelstein**[inglizcha o zbekcha lug at](#)[inspiring thoughts apj abdul kalam](#)[introduction to fluid mechanics si version](#)[institute war and strikes clauses hulls time](#)[interstellar pig interstellar pig 1](#)[ingilis dili 5 ci sinif metodik vesait](#)

[introduction to environmental engineering and science 3rd edition solutions manual download](#)

instrument engineers handbook fourth edition

industrial engineering and operation research book by mahajan

introduction to goat reproduction fsa9607

[injuries in elite taekwondo poomsae athletes](#)

I2c C Master :

le canal de bourgogne avec le routard - Feb 26 2022

web apr 3 2017 en péniche à vélo ou en voiture le canal de bourgogne et sa région se visitent en toute tranquillité au fil de l'eau et au sein des paysages bucoliques de l'Yonne et de l'Auxois

[le canal de bourgogne guide tourisme vacances france](#) - Oct 05 2022

web véritable prouesse technique le canal de bourgogne long de 242 kilomètres permet de relier la vallée de la Saône à celle de l'Yonne construit entre 1775 et 1832 il démarre à Migennes dans l'Yonne et s'achève à Saint-Jean-de-Losne en Côte-d'Or après avoir franchi 189 écluses

en bateau sur les canaux et rivières la bourgogne - Sep 04 2022

web accueil découvrir la bourgogne au fil des canaux et rivières bateaux promenade péniches et loueurs bateaux promenade péniches et loueurs plus d'infos pêche franche comte nautic port sur Saône bateau promenade les Settons Montsauche les Settons Saône bateaux Gigny sur Saône port de plaisance port de la jonction

canaux de bourgogne canal du centre - Dec 07 2022

web partez à la découverte de l'histoire des canaux de bourgogne de leur patrimoine technique maisons sites d'écluse ouvrages d'art réservoirs rigoles ports et parcourez les paysages traversés villes villages églises châteaux usines industries

[croisières en bourgogne la bourgogne bourgogne tourisme](#) - Aug 03 2022

web découvrez les loueurs de bateaux et pénichettes sur le canal du Nivernais le canal latéral à la Loire le canal entre Champagne et bourgogne ou le canal de Roanne à Digoin et également sur la Saône et l'Yonne louez un de ces bateaux pour une agréable croisière ou partez pour un voyage insolite tous les loueurs de bateaux sans

[les canaux du centre et de la bourgogne vnf](#) - Feb 09 2023

web les canaux du centre et de la bourgogne les canaux du centre et de la bourgogne constituent la deuxième grande destination fluviale en France et le berceau du tourisme fluvial avec le canal de bourgogne le canal du Nivernais le canal de Briare associé au canal latéral à la Loire ils combinent la découverte d'un patrimoine bâti

balades croisières au fil des canaux et rivières la bourgogne - Apr 11 2023

web au fil des canaux et rivières la bourgogne pays du vin et de l'eau avec le plus grand réseau de rivières et canaux en france la bourgogne h2o ce sont d'abord des paysages à découvrir depuis les berges mais aussi sur l'eau en bateau promenade péniche hôtel ou bateau habitable

canal de bourgogne la campagne française au fil de l'eau - Mar 10 2023

web sep 23 2021 entre chemins de halage et routes de campagne le canal de bourgogne vous offre plus de 200 km de pistes cyclables pour en explorer le patrimoine de manière sportive et authentique en bicyclette vélo tous chemins ou vtt serpez à travers la bourgogne et découvrez les trésors naturels culturels et gastronomiques de la région

le canal de roanne à digoin la bourgogne bourgogne tourisme - Jun 01 2022

web le canal tranquille construit entre 1830 et 1836 le surnom de ce canal reliant roanne à digoin sur environ 55 km tient sa promesse avec la quiétude et la beauté naturelle de ses berges

tout savoir sur le canal du nivernais et les canaux de bourgogne - Dec 27 2021

web les autres canaux en bourgogne en plus du canal du nivernais la bourgogne compte une multitude d'autres canaux à découvrir 1 000 km de voies navigables vous attendent ainsi qu'une multitude de jolies surprises petit tour d'horizon de ces lieux de patrimoine et de découvertes au fil de l'eau

les rivières et canaux en bourgogne la bourgogne bourgogne - Aug 15 2023

web découvrir les rivières et canaux de bourgogne miroir de la nature l'eau offre des paysages uniques et dépaysants les nombreux canaux et rivières de bourgogne vous invitent dans le monde de l'imaginaire et des rêves que ce soit lors d'une mémorable croisière sur l'eau ou d'une balade bucolique le long de l'eau

canaux de bourgogne tourisme et patrimoine - Nov 06 2022

web le canal a suscité des constructions spécifiques dédiées à son patrimoine le meilleur exemple en est le centre d'interprétation du toueur ampère v à saint léger des vignes afin de mettre en valeur ce premier bateau protégé en 1993 en bourgogne au titre des monuments historiques

canal de bourgogne l'entente des canaux du centre france - Apr 30 2022

web jan 19 2023 le canal de bourgogne est une voie d'eau à petit gabarit freycinet longue de 242 km située dans la région bourgogne franche comté en france et qui relie le bassin de la seine avec le bassin du rhône

le canal de bourgogne à vélo 215 km d'auxerre à dijon - Mar 30 2022

web des portes d'auxerre à celles de dijon le canal de bourgogne à vélo recèle tout l'esprit du patrimoine bourguignon avec des étapes aussi culturelles que gastronomiques il offre à voir et visiter de nombreux châteaux et sites remarquables dont alésia la voûte de pouilly châteauneuf en auxois

canaux de bourgogne carte - Jan 08 2023

web partez à la découverte de l'histoire des canaux de bourgogne de leur patrimoine technique maisons sites d'écluse ouvrages d'art réservoirs rigoles ports et parcourez les paysages traversés villes villages églises châteaux usines industries
canal de bourgogne wikipédia - May 12 2023

web le canal de bourgogne est une voie d'eau à petit gabarit freycinet longue de 242 km située dans la région bourgogne franche comté en france et qui relie le bassin de la seine au bassin du rhône
canaux de bourgogne accueil - Jun 13 2023

web un inventaire en mouvement partez à la découverte de l'histoire des canaux de bourgogne de leur patrimoine technique maisons sites d'écluse ouvrages d'art réservoirs rigoles ports et parcourez les paysages traversés villes villages églises châteaux usines industries

présentation du canal de bourgogne canaux de bourgogne - Jul 02 2022

web dossiers d'inventaire présentation du canal de bourgogne canaux de bourgogne long de 242 kilomètres le canal de bourgogne relie la ville de saint jean de losne 21 à laroche migennes 89 en passant par dijon montbard ou encore tonnerre il traverse deux départements la côte d'or et l'yonne

canal de bourgogne une expérience est menée cet hiver pour - Jan 28 2022

web jan 22 2022 la bourgogne franche comté compte 4 canaux sur lesquels naviguer le canal de bourgogne 242 kilomètres part de la saône pour traverser la côte d'or et une partie de l'yonne

le long du canal de bourgogne en bateau ou à vélo la bourgogne - Jul 14 2023

web le canal de bourgogne traverse toute la côte d'or depuis la saône jusque dans l'yonne il est le fil bleu idéal pour un séjour rafraîchissant et bucolique en famille partez à la conquête de l'histoire et ses châteaux ou enfourchez votre vélo sur la

hacking with swift project 18 iad and debugging pdf - Dec 06 2022

web hacking with swift project 18 iad and debugging west s federal reporter cases argued and determined in the united states courts of appeals and temporary emergency court

hacking with swift project 18 iad and debugging chris drake - Jan 07 2023

web aug 3 2023 guide hacking with swift project 18 iad and debugging as you such as by searching the title publisher or authors of guide you essentially want you can discover

hacking with swift project 18 iad and debugging pdf - Dec 26 2021

web pdf hacking with swift project 18 iad and debugging pdf books this is the book you are looking for from the many other titles of hacking with swift project 18 iad and

hacking with swift project 18 iad and debugging pdf uniport edu - Jan 27 2022

web jun 2 2023 hacking with swift project 18 iad and debugging 1 13 downloaded from uniport edu ng on june 2 2023 by

guest hacking with swift project 18 iad and

[hacking with swift project 18 iad and debugging rc spectrallabs](#) - May 31 2022

web may 10 2023 hacking with swift project 18 iad and debugging 1 15 downloaded from uniport edu ng on may 10 2023 by guest hacking with swift project 18 iad and

github twostraws hackingwithswift the project source code for - Mar 09 2023

web research in any way in the middle of them is this hacking with swift project 18 iad and debugging pdf that can be your partner scratch 3 programming playground al

hacking with swift project 18 iad and debugging youtube - Jul 13 2023

web project 18 debugging question 1 12 which of these statements are true hint click to show option 1 print is a variadic function option 2 print always adds a line break

[swift developer news hacking with swift](#) - Sep 22 2021

hacking with swift project 18 iad and debugging goodreads - May 11 2023

web hacking with swift project 18 iad and debugging beginning xcode swift edition mar 13 2023 beginning xcode swift edition will not only get you up and running with apple s

review project 18 debugging hacking with swift - Jun 12 2023

web hacking with swift project 18 iad and debugging book read reviews from world s largest community for readers a double bill of learning teaches you ho

hacking with swift project 18 iad and debugging pdf - Jul 01 2022

web hacking with swift project 18 iad and debugging 2 10 downloaded from uniport edu ng on august 10 2023 by guest case studies bruni kotov maran neuman turovski

hacking with swift project 18 iad and debugging andrew j - Aug 02 2022

web hacking with swift project 18 iad and debugging 3 3 list of 150 questions includes the most common and most useful questions in data structures algorithms and knowledge

hacking with swift project 18 iad and debugging pdf gcca - Feb 08 2023

web you could buy lead hacking with swift project 18 iad and debugging or get it as soon as feasible you could speedily download this hacking with swift project 18 iad and

hacking with swift project 18 iad and debugging pdf 2023 - Sep 03 2022

web jun 12 2023 project 18 iad and debugging and numerous books collections from fictions to scientific research in any way along with them is this hacking with swift project 18

hacking with swift learn to code iphone and ipad - Oct 04 2022

web be every best area within net connections if you goal to download and install the hacking with swift project 18 iad and debugging it is extremely simple then since currently

hacking with swift project 18 iad and debugging pdf uniport edu - Mar 29 2022

web may 19 2023 yeah reviewing a ebook hacking with swift project 18 iad and debugging could ensue your close connections listings this is just one of the solutions for you to be

hacking with swift project 18 iad and debugging copy uniport edu - Apr 29 2022

web jun 20 2023 getting the books hacking with swift project 18 iad and debugging now is not type of inspiring means you could not unaided going in the same way as ebook

hacking with swift project 18 iad and debugging free pdf books - Oct 24 2021

hacking with swift project 18 iad and debugging pdf uniport edu - Feb 25 2022

web aug 3 2023 hacking with swift project 18 iad and debugging pdf below ddos attacks dhruba kumar bhattacharyya 2016 04 27 ddos attacks evolution detection

hacking with swift project 18 iad and debugging 2023 - Nov 05 2022

web mar 17 2023 hacking with swift project 18 iad and debugging pdf below beginning iphone development with swift 4 molly k maskrey 2017 10 24 learn how to integrate

hacking with swift project 18 iad and debugging - Apr 10 2023

web jun 24 2022 this is the source code to accompany hacking with swift a free tutorial series that teaches swift coding for ios there is one folder for the classic hacking with

project 18 debugging a free hacking with swift - Aug 14 2023

web hacking with swift is a complete swift training course that teaches you app development through 30 hands on projects including over 20 hours of free youtube

[hacking with swift project 18 iad and debugging pdf uniport edu](#) - Nov 24 2021

web hacking with swift live 2021 raises 61 000 for charity make apps make friends make a difference news

8 beginner pilates exercises for runners run with caroline - Mar 31 2022

web jun 23 2022 is pilates good for runners what are the best beginner pilates exercises are you ready let s get started what is pilates pilates is a form of low impact exercise that aims to strengthen muscles whilst improving flexibility mobility and postural alignment

pilates for runners everything you need to start using pilates to - Dec 08 2022

web everything you need to start using pilates to improve your running get stronger more flexible avoid injury and improve your performance pilates for runners is a valuable resource filled with mat pilates exercises designed for runners of all abilities

[pilates for runners everything you need to start using pilates to](#) - Feb 27 2022

web pilates for runners book read reviews from world s largest community for readers pilates for runners is a valuable resource filled with mat pilates exe

pilates for runners everything you need to start using pilates to - Mar 11 2023

web apr 20 2017 pilates for runners everything you need to start using pilates to improve your running get stronger more flexible avoid injury and improve your performance kindle edition by angell harri download it once and read it on your kindle device pc phones or tablets

pilates for runners everything you need to start using pilates to - Aug 16 2023

web pilates for runners everything you need to start using pilates to improve your running get stronger more flexible avoid injury and improve your performance harri angell amazon com tr kitap

[pilates for runners 15 minute routine lottie murphy](#) - Jan 29 2022

web sep 22 2018 in 15 minutes you ll get what you need with some butt activation core work and stretching pilatesforrunners lottiemurphypilates subscribe to my channel for a new pilates routine every saturday

pilates for runners everything you need to start using pilates to - Oct 06 2022

web pilates for runners is a valuable resource filled with mat pilates exercises designed for runners of all abilities the clear and accessible exercises will help runners develop core strength flexibility improved balance coordination and better posture all of which are important for injury free running and optimal performance alongside the clear step by

pilates for runners everything you need to start using pilates to - Apr 12 2023

web apr 20 2017 pilates for runners everything you need to start using pilates to improve your running get stronger more flexible avoid injury and improve your performance kindle edition by harri angell author format kindle edition 4 6 84 ratings

pilates for runners everything you need to start using pilates to - Sep 05 2022

web pilates for runners is a valuable resource filled with mat pilates exercises designed for runners of all abilities the clear and accessible exercises will help there are no results for your search

[pilates for runners everything you need to start using](#) - Feb 10 2023

web may 2 2017 pilates for runners everything you need to start using pilates to improve your running get stronger more flexible avoid injury and improve your performance harri angell 4 22 18 ratings2 reviews an easy to use resource to

pilates for runners why do it and 7 exercises to try today - Jun 02 2022

web jun 27 2023 7 best pilates exercises for runners to build a strong core here are some great pilates exercises that you can try at home all you need is a mat and you re good to go pilates can be a strenuous workout just like running you need to ease in to the practice and feel free to modify or reduce reps until your body adjusts to the movement 1

[*pilates for runners everything you need to start using pilates to*](#) - Jun 14 2023

web may 2 2017 pilates for runners everything you need to start using pilates to improve your running get stronger more flexible avoid injury and improve your performance angell harri on amazon com free shipping on qualifying offers

[*pilates for runners everything you need to start using pilates to*](#) - Nov 07 2022

web an easy to use resource to improve your running with pilates pilates for runners is a valuable resource filled with mat pilates exercises designed for runners o

pilates for runners 30 minute routine youtube - Dec 28 2021

web i have compiled a short 30 pilates based routine for runners that i follow to prevent injury if you maintain a good exercise regi more more mobility and activation are two important

pilates for runners everything you need to start using pilates to - Jan 09 2023

web the clear and accessible exercises will help runners develop core strength flexibility improved balance coordination and better posture all of which are important for injury free running and optimal performance

pilates for runners everything you need to start using pilates to - Aug 04 2022

web pilates for runners is a valuable resource filled with mat pilates exercises designed for runners of all abilities the clear and accessible exercises will help you as a runner develop core strength flexibility improved balance coordination and good posture all of these are important elements for a life of injury free running and optimal performance

[*pilates workouts for runners benefits of pilates*](#) - Jul 15 2023

web nov 9 2021 the benefits of pilates workouts for runners range from core strength to enhanced endurance here s why you need the practice and how to get started with it

pilates for runners everything you need to start using pilates to - May 13 2023

web apr 20 2017 pilates for runners everything you need to start using pilates to improve your running get stronger more flexible avoid injury and improve your performance amazon co uk angell harri 9781472938008 books health family lifestyle fitness exercise yoga buy new 18 99 free returns free delivery monday april 17 details

[*pilates for runners everything you need to start using pilates to*](#) - May 01 2022

web pilates for runners is a valuable resource filled with mat pilates exercises designed for runners of all abilities the clear and accessible exercises will help runners develop core strength flexibility improved balance coordination and better posture all of which are important for injury free running and optimal performance

13 pilates moves for runners self - Jul 03 2022

web oct 19 2017 neck stretch stand tall with your feet together back straight shoulders back and arms relaxed at your sides slowly drop your left ear to your left shoulder to a point where you feel a