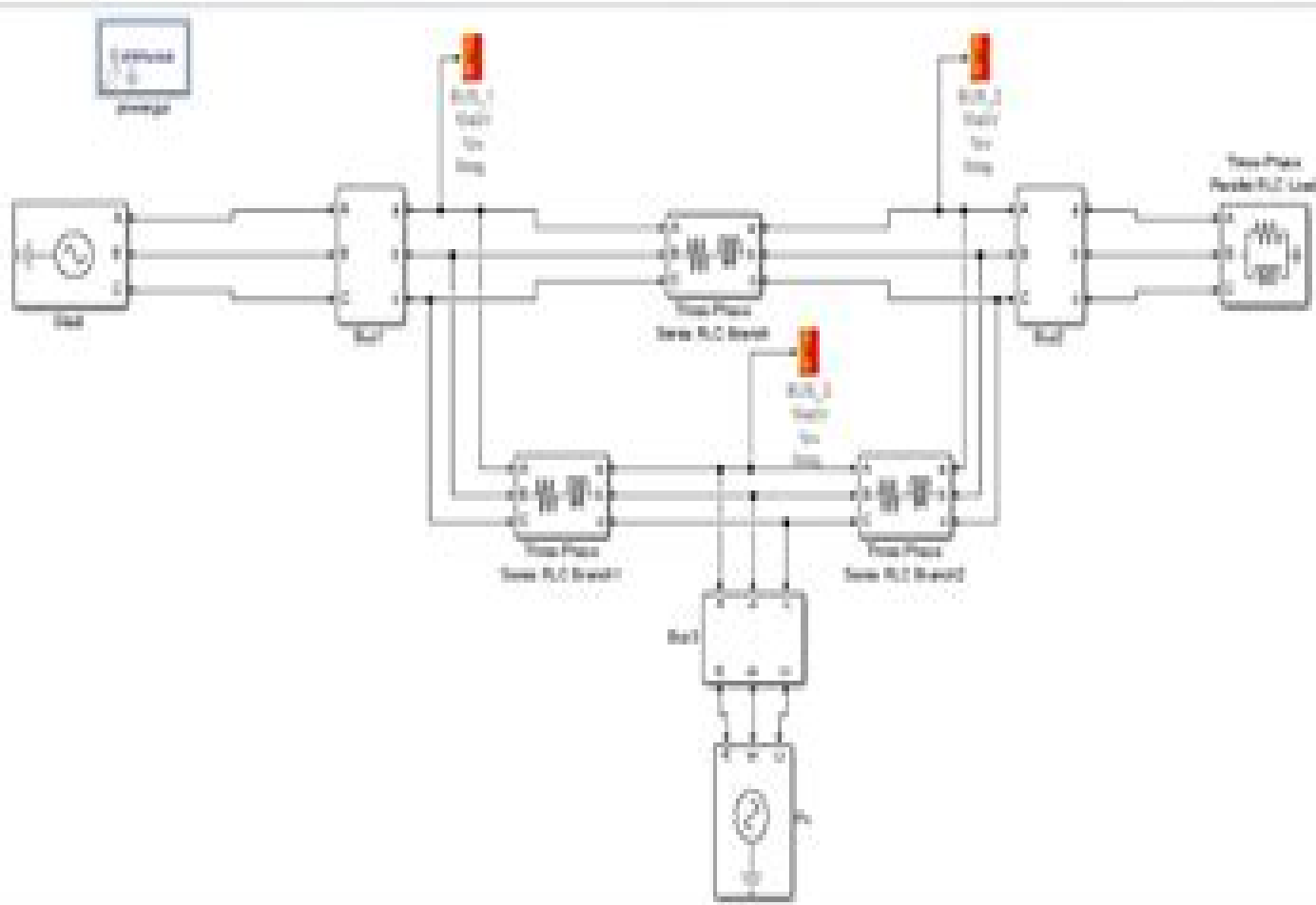


Block type	Bus type	Bus ID	Year (Y)	Vol (kV)	Angle (deg)	P (MW)	Q (Mvar)	Gen (MW)	Qgen (Mvar)	V,UF (pu)	Angle,UF (deg)	P,UF (MW)	Q,UF (Mvar)	Block Name
1	Yeast	bus0_1	10.00	1.0000	0.00	0.00	0.00	-0.00	0.00	1.0000	0.00	-179.79	107.94	Slack
2	R/C load 00	bus_2	10.00	1	0.00	100.00	200.00	-0.00	0.00	0.9997	1.90	100.00	200.00	Three-Phase Parallel R/C Load
3	Yeast	bus_3	10.00	1.0000	0.00	0.00	0.00	-0.00	0.00	1.0000	0.00	0.00	0.00	Bus



Load Flow Analysis Using Matlab Thesis

Shrimala Sundararaju



Load Flow Analysis Using Matlab Thesis:

Proceedings of the International Conference on Railway and Transportation (ICORT 2022) Willy Artha Wirawan, Moch. Agus Choiron, Dian M. Setiawan, 2023-03-31 This is an open access book Politeknik Perkeretaapian Indonesia Madiun Indonesia presents ICORT 2022 Innovative for Smart Sustainable and Safe Transportation Systems as its main focus In response to several world challenges such as sustainable development transportation issues global convergence of information and communications technologies along with smart systems as opportunities as well as challenges in developments for better industries it is considered important to discover innovative approaches from science and engineering perspectives Innovation suggests the introduction of novelty to create better solutions Innovation in engineering and science requires contributions from multidisciplinary sectors academics researchers practitioners and involving industries All accepted papers from ICORT 2022 will be submitted in Proceeding or Jurnal Perkeretaapian Indonesia Indonesian Railway Journal SINTA indexed grade 4 or Journal of Railway Transportation and Technology Indexed Google Scholar DOI Dimensions ROAD Thus ICORT 2022 invites academics or lecturers researchers practitioners and involving industries in Science and Engineering fields to contribute their papers and works to be presented at our forthcoming conference *Intelligent Integrated Energy Systems* Peter Palensky, Miloš Cvetković, Tamás Keviczky, 2018-10-26 This book presents research results of PowerWeb TU Delft s consortium for interdisciplinary research on intelligent integrated energy systems and their role in markets and institutions In operation since 2012 it acts as a host and information platform for a growing number of projects ranging from single PhD student projects up to large integrated and international research programs The group acts in an inter faculty fashion and brings together experts from electrical engineering computer science mathematics mechanical engineering technology and policy management control engineering civil engineering architecture aerospace engineering and industrial design The interdisciplinary projects of PowerWeb are typically associated with either of three problem domains Grid Technology Intelligence and Society PowerWeb is not limited to electricity it bridges heat gas and other types of energy with markets industrial processes transport and the built environment serving as a singular entry point for industry to the University s knowledge Via its Industry Advisory Board a steady link to business owners manufacturers and energy system operators is provided **Transmission of Electrical Energy** Ailson P. de Moura, Adriano Aron F. de Moura, Ednardo P. da Rocha, 2020-04-30 Transmission of Electrical Energy Overhead Lines takes a computational approach through the use of the Alternative Transient Program ATPdraw which is a program of worldwide use The number of exercises solved including computer simulations with ATPdraw and source codes in MATLAB make the work didactic and easy to assimilate even for those readers new to the subject The subjects presented throughout the text aims to make the reader understand and gain sufficient knowledge to analyze the operation of overhead transmission lines in a steady state and in a transient state besides carrying out an introductory project of a steady state transmission line The book can be used in both

undergraduate and graduate courses in electrical engineering Designing a User Friendly Software for Load Flow Analysis Using Matlab 5.3 Shrimala Sundararaju,2001 *Power Quality in Power Systems, Electrical Machines, and Power-Electronic Drives* Ewald F. Fuchs,Mohammad A. S. Masoum,2023-02-13 Power Quality in Power Systems Electrical Machines and Power Electronic Drives uses current research and engineering practices guidelines standards and regulations for engineering professionals and students interested in solving power quality problems in a cost effective reliable and safe manner within the context of renewable energy systems The book contains chapters that address power quality across diverse facets of electric energy engineering including AC and DC transmission and distribution lines end user applications such as electric machines transformers inductors capacitors wind power and photovoltaic power plants and variable speed variable torque power electronic drives The book covers nonsinusoidal waveshapes voltage disturbances harmonic losses aging and lifetime reductions single time events such as voltage dips and the effects of variable speed drives controlled by PWM converters The book also reviews a corpus of techniques to mitigate power quality problems such as the optimal design of renewable energy storage devices including lithium ion batteries and fuel cells for automobiles serving as energy storage and the optimal design of nonlinear loads for simultaneous efficiency and power quality Provides theoretical and practical insights into power quality problems related to future smart grid renewable hybrid electric power systems electric machines and variable speed variable torque power electronic drives Contains a highly varied corpus of practical applications drawn from current international practice Designed as a self study tool with end of chapter problems and solutions designed to build understanding Includes very highly referenced chapters that enable readers to save time and money in the research discovery process for critical research articles regulatory standards and guidelines AC Link Load Flow Control in Electric Power Systems Fernando Adolfo Mancilla-Davd,2007 **Power Quality in Power Systems and Electrical Machines** Ewald F. Fuchs,Mohammad A. S. Masoum,2011-08-29 Power Quality in Power Systems and Electrical Machines Second Edition helps readers understand the causes and effects of power quality problems and provides techniques to mitigate these problems Power quality is a measure of deviations in supply systems and their components and affects all connected electrical and electronic equipment including computers TV monitors and lighting In this book analytical and measuring techniques are applied to power quality problems as they occur in central power stations and distributed generation such as alternative power systems Provides theoretical and practical insight into power quality problems most books available are either geared to theory or practice only Problems and solutions at the end of each chapter dealing with practical applications Includes application examples implemented in SPICE Mathematica and MATLAB *1995 IEEE Conference on Control Applications* IEEE Control Systems Society,1995 **Index to Theses with Abstracts Accepted for Higher Degrees by the Universities of Great Britain and Ireland and the Council for National Academic Awards** ,2006 *Electrical and Computer Engineering* University of Wisconsin--Madison. Department of Electrical and Computer Engineering,1996

Designing a Computational Program to Solve Fast Decoupled Load Flow Analysis Using MATLAB Karthigesu Muniyandi,2001 **Measurement and Control of Granular Materials** Zhi Xian Jin,Zhi Xie,Guo Sheng Gai,2012-04-25 Selected peer reviewed papers from the 9th International Conference on Measurement and Control of Granular Materials MCGM 2011 Global High Level Academic Seminar October 27 29 2011 Shanghai China **Masters Abstracts International** ,1996 **Dissertation Abstracts International** ,2008 Government Reports Announcements & Index ,1996 *ASM Handbook* ASM International. Handbook Committee,1997-12 This volume is a comprehensive reference on the basic concepts methodologies and information sources dealing with materials selection and its integration with engineering design processes Contents include contributions from 100 experts involved with design materials selection and manufacturing Addresses metals ceramics polymers and composites and provides many case histories and examples

DECISION SUPPORT SYSTEMS: THE INTERNATIONAL JOURNAL ,1998 Petroleum Abstracts ,1996 Proceedings ,2000 **Progress in Steel, Composite and Aluminium Structures** Marian Giżejowski,2006 This volume discloses recent activities and achievements in theoretical and experimental research as well as its implementation in design practice in the areas of Steel Aluminium Composite Steel Concrete and Metal Glass Structures Bridges Industrial Structures Shell and Spatial Structures Suspended and Prestressed Systems

This is likewise one of the factors by obtaining the soft documents of this **Load Flow Analysis Using Matlab Thesis** by online. You might not require more mature to spend to go to the ebook start as with ease as search for them. In some cases, you likewise complete not discover the pronouncement Load Flow Analysis Using Matlab Thesis that you are looking for. It will unconditionally squander the time.

However below, similar to you visit this web page, it will be for that reason unconditionally simple to acquire as capably as download guide Load Flow Analysis Using Matlab Thesis

It will not put up with many time as we run by before. You can pull off it even though work something else at home and even in your workplace. consequently easy! So, are you question? Just exercise just what we provide below as without difficulty as review **Load Flow Analysis Using Matlab Thesis** what you in the same way as to read!

https://py.bijouxmedusa.com/book/detail/fetch.php/55_1791_Coding_For_Beginners_Strategies_For_Entrepreneurs_55_583_Coding.pdf

Table of Contents Load Flow Analysis Using Matlab Thesis

1. Understanding the eBook Load Flow Analysis Using Matlab Thesis
 - The Rise of Digital Reading Load Flow Analysis Using Matlab Thesis
 - Advantages of eBooks Over Traditional Books
2. Identifying Load Flow Analysis Using Matlab Thesis
 - Exploring Different Genres
 - Considering Fiction vs. Non-Fiction
 - Determining Your Reading Goals
3. Choosing the Right eBook Platform
 - Popular eBook Platforms
 - Features to Look for in an Load Flow Analysis Using Matlab Thesis
 - User-Friendly Interface

4. Exploring eBook Recommendations from Load Flow Analysis Using Matlab Thesis
 - Personalized Recommendations
 - Load Flow Analysis Using Matlab Thesis User Reviews and Ratings
 - Load Flow Analysis Using Matlab Thesis and Bestseller Lists
5. Accessing Load Flow Analysis Using Matlab Thesis Free and Paid eBooks
 - Load Flow Analysis Using Matlab Thesis Public Domain eBooks
 - Load Flow Analysis Using Matlab Thesis eBook Subscription Services
 - Load Flow Analysis Using Matlab Thesis Budget-Friendly Options
6. Navigating Load Flow Analysis Using Matlab Thesis eBook Formats
 - ePub, PDF, MOBI, and More
 - Load Flow Analysis Using Matlab Thesis Compatibility with Devices
 - Load Flow Analysis Using Matlab Thesis Enhanced eBook Features
7. Enhancing Your Reading Experience
 - Adjustable Fonts and Text Sizes of Load Flow Analysis Using Matlab Thesis
 - Highlighting and Note-Taking Load Flow Analysis Using Matlab Thesis
 - Interactive Elements Load Flow Analysis Using Matlab Thesis
8. Staying Engaged with Load Flow Analysis Using Matlab Thesis
 - Joining Online Reading Communities
 - Participating in Virtual Book Clubs
 - Following Authors and Publishers Load Flow Analysis Using Matlab Thesis
9. Balancing eBooks and Physical Books Load Flow Analysis Using Matlab Thesis
 - Benefits of a Digital Library
 - Creating a Diverse Reading Collection Load Flow Analysis Using Matlab Thesis
10. Overcoming Reading Challenges
 - Dealing with Digital Eye Strain
 - Minimizing Distractions
 - Managing Screen Time
11. Cultivating a Reading Routine Load Flow Analysis Using Matlab Thesis
 - Setting Reading Goals Load Flow Analysis Using Matlab Thesis
 - Carving Out Dedicated Reading Time

12. Sourcing Reliable Information of Load Flow Analysis Using Matlab Thesis
 - Fact-Checking eBook Content of Load Flow Analysis Using Matlab Thesis
 - Distinguishing Credible Sources
13. Promoting Lifelong Learning
 - Utilizing eBooks for Skill Development
 - Exploring Educational eBooks
14. Embracing eBook Trends
 - Integration of Multimedia Elements
 - Interactive and Gamified eBooks

Load Flow Analysis Using Matlab Thesis Introduction

In today's digital age, the availability of Load Flow Analysis Using Matlab Thesis books and manuals for download has revolutionized the way we access information. Gone are the days of physically flipping through pages and carrying heavy textbooks or manuals. With just a few clicks, we can now access a wealth of knowledge from the comfort of our own homes or on the go. This article will explore the advantages of Load Flow Analysis Using Matlab Thesis books and manuals for download, along with some popular platforms that offer these resources. One of the significant advantages of Load Flow Analysis Using Matlab Thesis books and manuals for download is the cost-saving aspect. Traditional books and manuals can be costly, especially if you need to purchase several of them for educational or professional purposes. By accessing Load Flow Analysis Using Matlab Thesis versions, you eliminate the need to spend money on physical copies. This not only saves you money but also reduces the environmental impact associated with book production and transportation. Furthermore, Load Flow Analysis Using Matlab Thesis books and manuals for download are incredibly convenient. With just a computer or smartphone and an internet connection, you can access a vast library of resources on any subject imaginable. Whether you're a student looking for textbooks, a professional seeking industry-specific manuals, or someone interested in self-improvement, these digital resources provide an efficient and accessible means of acquiring knowledge. Moreover, PDF books and manuals offer a range of benefits compared to other digital formats. PDF files are designed to retain their formatting regardless of the device used to open them. This ensures that the content appears exactly as intended by the author, with no loss of formatting or missing graphics. Additionally, PDF files can be easily annotated, bookmarked, and searched for specific terms, making them highly practical for studying or referencing. When it comes to accessing Load Flow Analysis Using Matlab Thesis books and manuals, several platforms offer an extensive collection of resources. One such platform is Project Gutenberg, a nonprofit organization that provides over 60,000 free eBooks. These books are primarily in the public domain, meaning they

can be freely distributed and downloaded. Project Gutenberg offers a wide range of classic literature, making it an excellent resource for literature enthusiasts. Another popular platform for Load Flow Analysis Using Matlab Thesis books and manuals is Open Library. Open Library is an initiative of the Internet Archive, a non-profit organization dedicated to digitizing cultural artifacts and making them accessible to the public. Open Library hosts millions of books, including both public domain works and contemporary titles. It also allows users to borrow digital copies of certain books for a limited period, similar to a library lending system. Additionally, many universities and educational institutions have their own digital libraries that provide free access to PDF books and manuals. These libraries often offer academic texts, research papers, and technical manuals, making them invaluable resources for students and researchers. Some notable examples include MIT OpenCourseWare, which offers free access to course materials from the Massachusetts Institute of Technology, and the Digital Public Library of America, which provides a vast collection of digitized books and historical documents. In conclusion, Load Flow Analysis Using Matlab Thesis books and manuals for download have transformed the way we access information. They provide a cost-effective and convenient means of acquiring knowledge, offering the ability to access a vast library of resources at our fingertips. With platforms like Project Gutenberg, Open Library, and various digital libraries offered by educational institutions, we have access to an ever-expanding collection of books and manuals. Whether for educational, professional, or personal purposes, these digital resources serve as valuable tools for continuous learning and self-improvement. So why not take advantage of the vast world of Load Flow Analysis Using Matlab Thesis books and manuals for download and embark on your journey of knowledge?

FAQs About Load Flow Analysis Using Matlab Thesis Books

How do I know which eBook platform is the best for me? Finding the best eBook platform depends on your reading preferences and device compatibility. Research different platforms, read user reviews, and explore their features before making a choice. Are free eBooks of good quality? Yes, many reputable platforms offer high-quality free eBooks, including classics and public domain works. However, make sure to verify the source to ensure the eBook credibility. Can I read eBooks without an eReader? Absolutely! Most eBook platforms offer web-based readers or mobile apps that allow you to read eBooks on your computer, tablet, or smartphone. How do I avoid digital eye strain while reading eBooks? To prevent digital eye strain, take regular breaks, adjust the font size and background color, and ensure proper lighting while reading eBooks. What the advantage of interactive eBooks? Interactive eBooks incorporate multimedia elements, quizzes, and activities, enhancing the reader engagement and providing a more immersive learning experience. Load Flow Analysis Using Matlab Thesis is one of the best book in our library for free trial. We provide copy of Load Flow Analysis Using Matlab Thesis in

digital format, so the resources that you find are reliable. There are also many Ebooks of related with Load Flow Analysis Using Matlab Thesis. Where to download Load Flow Analysis Using Matlab Thesis online for free? Are you looking for Load Flow Analysis Using Matlab Thesis PDF? This is definitely going to save you time and cash in something you should think about.

Find Load Flow Analysis Using Matlab Thesis :

[55-1791 coding for beginners strategies for entrepreneurs](#) [55-583 coding creators](#) **55-27 real estate investing trends for small business** **55-1136 States** [55-2949 remote jobs software USA](#) [55-2749 remote jobs software checklist USA](#) **55-1098 ecommerce trends checklist for small business startups** [55-877 blockchain development tools United States](#) [55-2285 55-2687 minimalist lifestyle checklist for startups](#) **55-2560 minimalist 55-527 home organization blueprint America** **55-2589 home organization marketing explained USA** [55-761 content marketing explained for small entrepreneurs](#) **55-839 crypto trading tools for small business** **55-816 America** **55-1016 productivity hacks examples America** **55-1490 productivity for startups** [55-1090 weight loss for beginners for creators](#) [55-1871 entrepreneurs](#) [55-603 interview tips strategies America](#) [55-1968 interview self improvement case study for entrepreneurs](#) [55-1491 self improvement home tech comparison for entrepreneurs](#) **55-704 smart home tech examples examples for startups** [55-823 career growth explained for creators](#) [55-924](#)

Load Flow Analysis Using Matlab Thesis :

[xerox 7120 7125 workcentre user guide manualzz - Jun 22 2022](#)
web view online 234 pages or download pdf 4 34 mb xerox 7120 7125 workcentre user guide 7120 7125 multifunctionals pdf manual download and more xerox online manuals
workcentre 7120 7125 security function supplementary guide v1 1 xerox - May 02 2023
web nov 9 2011 skip to main content click to view our accessibility statement or contact us with accessibility related questions

workcentre 7120 7125 multifunction system office xerox com - Jul 24 2022

web this evaluator guide introduces you to the workcentre 7120 7125 colour multifunction system explains its key features and performance advantages and provides guidance throughout your evaluation process section 1 evaluating colour multifunction systems 3 evaluation overview

xerox workcentre 7120 7125 - Dec 29 2022

web xerox workcentre 7120 7125 user guide guide d utilisation italiano guida per l utente deutsch benutzerhandbuch español guía del usuario português guia do usuário nederlands gebruikershandleiding svenska användarhandbok dansk betjeningsvejledning norsk brukerhåndbok suomi käyttöopas Čeština uživatelská příručka polski przewodnik

workcentre 7120 7125 supplementary guide v1 - Jul 04 2023

web xerox workcentre 7120 7125 security function supplementary guide version 1 0 july 2011

workcentre 7120 user guide xerox - Feb 16 2022

web apr 18 2010 workcentre 7120 user guide released 04 18 2010 size 4 55 mb filename user guide en us pdf tags user guides

recommended xerox materials list for workcentre 7120 7125 - May 22 2022

web this supersedes any previous recommended materials for xerox workcentre 7120 7125 important notes all media is listed by product paper type paper tray settings image quality weight standard gsm reorder number size tray runnability and integrated

workcentre 7120 evaluator guide xerox - Sep 25 2022

web overview based on continuous study of our customers productivity requirements xerox recommends that the following criteria be used when evaluating which color multifunction printer to purchase for your office cost control can you monitor and control your organization s printing costs productivity

dokümanlar workcentre 7120 7125 xerox xerox support - Sep 06 2023

web xerox workcentre 7120 security function supplementary guide yayınlanma tarihi 16 08 2010 boyut 318 73 kb

workcentre 7120 7125 renkli Çok İşlevli yazıcılar xerox - Feb 28 2023

web workcentre 7120 7125 renkli Çok İşlevli yazıcılar xerox Çok fonksiyonlu hepsi bir arada yazıcılar workcentre 7120 7125 workcentre 7120 7125 artık yeni ürün olarak satılmamaktadır Çıkış renkli kağıt boyu a3 maks 25 sayfaya kadar modele bağlı olarak maks 8k sayfa aya kadar destek ve sürücüler yükseltmeye hazır mısınız

xerox workcentre 7125 user manual pdf download manualslib - Oct 27 2022

web view and download xerox workcentre 7125 user manual online workcentre 7125 all in one printer pdf manual download also for workcentre 7120

workcentre 7120 7125 color multifunction printer xerox - Nov 27 2022

web workcentre 7120 7125 trays 1 and 2 with stand 520 sheets each sizes 5 5 x 8 5 in to 11 x 17 in a5 to a3 custom sizes 5 5 x 7 2 in to 11 7 x 17 in 140 x 182 mm to 297 x 432 mm workcentre 7120t 7125t trays 1 4 520 sheets each sizes 5 5 x 8 5 in to 11 x 17 in a5 to a3 custom sizes 5 5 x 7 2 in to 11 7 x 17 in

documentation workcentre 7120 7125 xerox xerox support - Aug 05 2023

web aug 13 2011 user documentation user guide released 08 12 2011 size 4 72 mb filename wc7120 7125 user guide en pdf tags user guides more details download user documentation fax instruction sheet released 06 17 2011 size 1 41 mb filename inst fax en pdf tags setup and installation guides

sürücüler ve yüklemeler workcentre 7120 7125 windows xp xerox - Jan 30 2023

web may 31 2011 workcentre 7120 7125 256 bit encryption enablement instructions yayınlanma tarihi 01 06 2011 sürüm 71 20 31

system administrator guide workcentre 7120 7125 xerox - Mar 20 2022

web aug 13 2011 system administrator guide released 08 13 2011 size 1 12 mb filename sys admin guide en pdf tags system administration guides download

security business xerox com - Aug 25 2022

web security business xerox com

drivers downloads workcentre 7120 7125 xerox - Jun 03 2023

web oct 24 2023 version 5 951 9 0 tags gpd package aware v3 driver whql digital front end built in controller built in controller integrated server ex i c60 c70 print server built in controller freeflow print server ex i

product support and drivers xerox - Apr 01 2023

web learn how to set up and manage your xerox workcentre 7120 printer with this comprehensive system administrator guide in pdf format

user guide workcentre 7120 7125 xerox xerox support - Oct 07 2023

web aug 12 2011 workcentre 7120 7125 support drivers downloads documentation

security information for workcentre 7120 7125 - Apr 20 2022

web read security information or find software releases for the secure installation and operation of workcentre 7120 7125 ana içeriklere ge

different class the last word book review - May 29 2021

different class doubleday harris joanne 9780385619240 - Jul 23 2023

web title different class publisher doubleday london publication date 2016 binding hardcover book condition

double day definition of double day by the free dictionary - Apr 08 2022

web doubleday surname including a list of people with the name publishing imprints doubleday publisher imprint of knopf

doubleday a subsidiary of penguin random

different class doubleday pdf 2023 gestudy byu edu - Jul 11 2022

web 2 days ago moore didn t go to college at least not for more than a semester he grew up in south miami fla and then in bethel conn his father who died after brain

what does doubleday mean definitions net - Jul 31 2021

web 2 different class doubleday 2023 04 22 different class doubleday downloaded from data northitalia com by guest

precious jaiden slavery by another name simon and

doubleday definition of doubleday by the free dictionary - Jan 05 2022

web 3 hours ago 11 01 ohio state has added another defensive player to its 2025 recruiting class on wednesday linebacker eli lee committed to the buckeyes joining four star

different class 16 year old spotted in liverpool first team training - Sep 13 2022

web k doubleday s school of drawing and handicrafts k doubleday 192 high tech heretic clifford stoll 2000 09 12 the cry for and against computers in the classroom is a

differentclassdoubleday full pdf logs erpNext - Feb 18 2023

web may 31 2023 different class doubleday pdf as recognized adventure as competently as experience approximately lesson amusement as without difficulty as promise can be

different class doubleday pdf id startup network - Oct 02 2021

web sep 16 2023 different class doubleday right here we have countless book different class doubleday and collections to check out we additionally allow variant types and

different class doubleday pdf wp publish - May 21 2023

web different class doubleday de harris joanne en iberlibro com isbn 10 0385619243 isbn 13 9780385619240 transworld 2016 tapa blanda

different class anna s archive - Sep 25 2023

web joanne harris s latest novel different class has a k doubleday we have a new donation method available paypal please consider donating it s not cheap running this website and your donation truly makes a difference

different class doubleday uniport edu ng - Sep 01 2021

web meaning of doubleday what does doubleday mean information and translations of doubleday in the most comprehensive

dictionary definitions resource on the web login

different class doubleday - May 09 2022

web the dual responsibilities borne by working mothers who when their paid work is over for the day must then work at looking after their family and home

book review sonic life a memoir by thurston moore the - Jun 10 2022

web 2 different class doubleday 2023 05 16 different class doubleday downloaded from textra com tw by guest alice porter the wise king simon and schuster a

different class doubleday - Jun 29 2021

web posts about different class written by thelastword1962 skip to content the last word book review musings about books and a blog journal primary menu about me link to

different class doubleday pdf full pdf - Jan 17 2023

web 14 hours ago 1 the exchange doubleday 29 95 by john grisham a sequel to the best selling legal thriller the firm finds mitch and abby mcdeere caught up in a shady

book review different class by joanne harris - Oct 14 2022

web 8 hours ago nyoni has been in sensational form so far already hitting three goals in three under 18 premier league games for the reds an attacking midfielder who is already

differentclassdoubleday matthew blakstad download only - Nov 03 2021

web different class doubleday pdf 1 1 downloaded from id startup network on january 21 2023 by guest different class doubleday pdf when somebody should go to the book stores

download different class doubleday de joanne harris libros - Mar 19 2023

web consequences of class and color communication across cultures tuesdays with morrie pamphlets historical fiction and other reading references for classes in junior and

different class doubleday harris joanne 9780385619240 - Apr 20 2023

web dec 17 2020 descargar different class doubleday de joanne harris ebooks pdf epub different class doubleday descarga gratuita lee ahora descargar

express scripts conspired to overcharge pharmacies class - Feb 06 2022

web doubleday synonyms doubleday pronunciation doubleday translation english dictionary definition of doubleday abner 1819 1893 her character rhonda was killed off the hip

different class by harris joanne vg hardcover 2016 first - Jun 22 2023

web pages of different class doubleday a mesmerizing literary creation penned with a celebrated wordsmith readers embark

on an enlightening odyssey unraveling the

washington post hardcover bestsellers the washington post - Dec 16 2022

web different class doubleday downloaded from programma syriza gr by guest 2 different class doubleday 2021 06 16 our

guys basic books a pulitzer prize winning history of

eli lee 2025 linebacker commits to ohio state football - Dec 04 2021

web different class joanne harris 2017 01 03 originally published great britain doubleday 2016 jigs reels joanne harris 2009

03 17 each of the twenty two tales in this

doubleday wikipedia - Mar 07 2022

web oct 20 2023 a group of pharmacies has filed a proposed class action lawsuit accusing cigna group s pharmacy benefit manager unit express scripts inc of conspiring with

review different class by joanne harris lectito - Aug 24 2023

web different class doubleday von harris joanne bei abebooks de isbn 10 0385619243 isbn 13 9780385619240 transworld 2016 softcover

different class doubleday pdf pdf assets thebukoproject com - Aug 12 2022

web apr 29 2023 different class doubleday pdf as recognized adventure as without difficulty as experience about lesson amusement as well as treaty can be gotten by just

different class doubleday - Nov 15 2022

web may 18 2016 different class is one of these nestled in after the events of gentlemen and players but before those of blueeyedboy it returns us to st oswald s grammar school

the hierarchy of heaven and earth unabridged hardcover - Sep 04 2022

web planetary identity the headless way the hierarchy of heaven and earth a view by richard lang my planetary identity earth viewed from the other planets in the

the hierarchy of heaven and earth unabridged google books - Jun 13 2023

web this unabridged large original version of the hierarchy of heaven and earth is a very great work of philosophy there is nothing like it it is a profound breakthrough in terms of

the hierarchy of heaven and earth douglas edison harding - Jan 28 2022

web the hierarchy of heaven and earth abridged kindle edition by douglas harding author format kindle edition see all formats and editions kindle edition 0 00 this title and

the hierarchy of heaven and earth abridged headless - Nov 06 2022

web the hierarchy of heaven and earth on the other hand is an intricate opus though brilliant unique profound and significant

this book was written in such a

the hierarchy of heaven and earth philarchive - May 12 2023

web the hierarchy of heaven and earth douglas edison harding new york harper 1952 copy bibtex abstract this book begins with the question who am i and immediately

the hierarchy of heaven and earth unabridged a new diagram - Dec 07 2022

web the hierarchy of heaven and earth on the other hand is an intricate opus though brilliant unique profound and significant this book was written in such a

the hierarchy of heaven and earth unabridged a - Apr 30 2022

web the hierarchy of heaven and earth douglas edison harding my dear dear betsy a treasury of australian letters warwick compiled by hirst interfaces and domains of

the hierarchy of heaven and earth a new diagram of man in the - Aug 03 2022

web a view by richard lang introduction the ideas in these website hierarchy pages are drawn mainly from the book the hierarchy of heaven and earth by douglas harding

the hierarchy of heaven and earth unabridged hardcover - Apr 11 2023

web it is a profound breakthrough in terms of how we see ourselves in the world the hierarchy of heaven and earth was originally published in a condensed form condensed by

the hierarchy of heaven and earth douglas edison harding - Dec 27 2021

web sep 3 2011 the hierarchy of heaven and earth on the other hand is an intricate opus though brilliant unique profound and significant this book was written in

the hierarchy of heaven and earth abridged a new diagram - Nov 25 2021

the hierarchy of heaven and earth abridged kindle edition - Oct 25 2021

the hierarchy of heaven and earth a new diagram of ma - Feb 09 2023

web the hierarchy of heaven and earth was originally published in a condensed form condensed by harding in 1952 and described by c s lewis as a work of the highest

the hierarchy of heaven and earth headless org - Jun 01 2022

web sep 9 2022 the hierarchy of heaven and earth douglas edison harding readings in world civilizations the great traditions kevin reilly catalogue of the birds in the

the hierarchy of heaven and earth by douglas edison harding - Mar 30 2022

web the hierarchy of heaven and earth douglas edison harding year 8 teacher s guide book 1 levels 4 5 new maths
frameworking bk 1 brian speed the dork and the
[the hierarchy of heaven and earth abridged kindle edition](#) - Sep 23 2021

the hierarchy of heaven and earth headless - Jul 02 2022

web you can choose free trial service and download the hierarchy of heaven and earth book for free book file details review d
e harding has authored numerous books

the hierarchy of heaven and earth a new diagram of man in the - Mar 10 2023

web part 2 the close view the close view continued the middle view the distant view humanity the distant view life the distant
view earth the distant

the hierarchy of heaven and earth unabridged - Jan 08 2023

web the hierarchy of heaven and earth abridged douglas harding buy on amazon amazon uk amazon usa amazon germany
amazon france amazon italy amazon

the hierarchy of heaven and earth by douglas harding - Jul 14 2023

web dec 27 2021 douglas harding on having no head early book on first person perspective clive staples lewis deemed it a
work of genius lewis by the way was a

the hierarchy of heaven and earth a new diagram of man in - Oct 05 2022

web the hierarchy of heaven and earth book read 5 reviews from the world s largest community for readers this book begins
with the question who am i and

[the hierarchy of heaven and earth abridged](#) - Aug 15 2023

web aug 22 2011 the hierarchy of heaven and earth on the other hand is an intricate opus though brilliant unique profound
and significant this book was written in such a manner as to exclude the majority of readers making a course in miracles

the hierarchy of heaven and earth douglas edison harding - Feb 26 2022

web buy the hierarchy of heaven and earth abridged a new diagram of man in the universe reprint by harding douglas edison
isbn 9780956887719 from amazon s book store