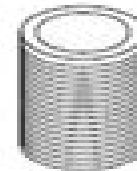
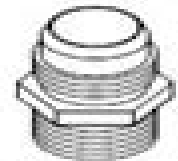


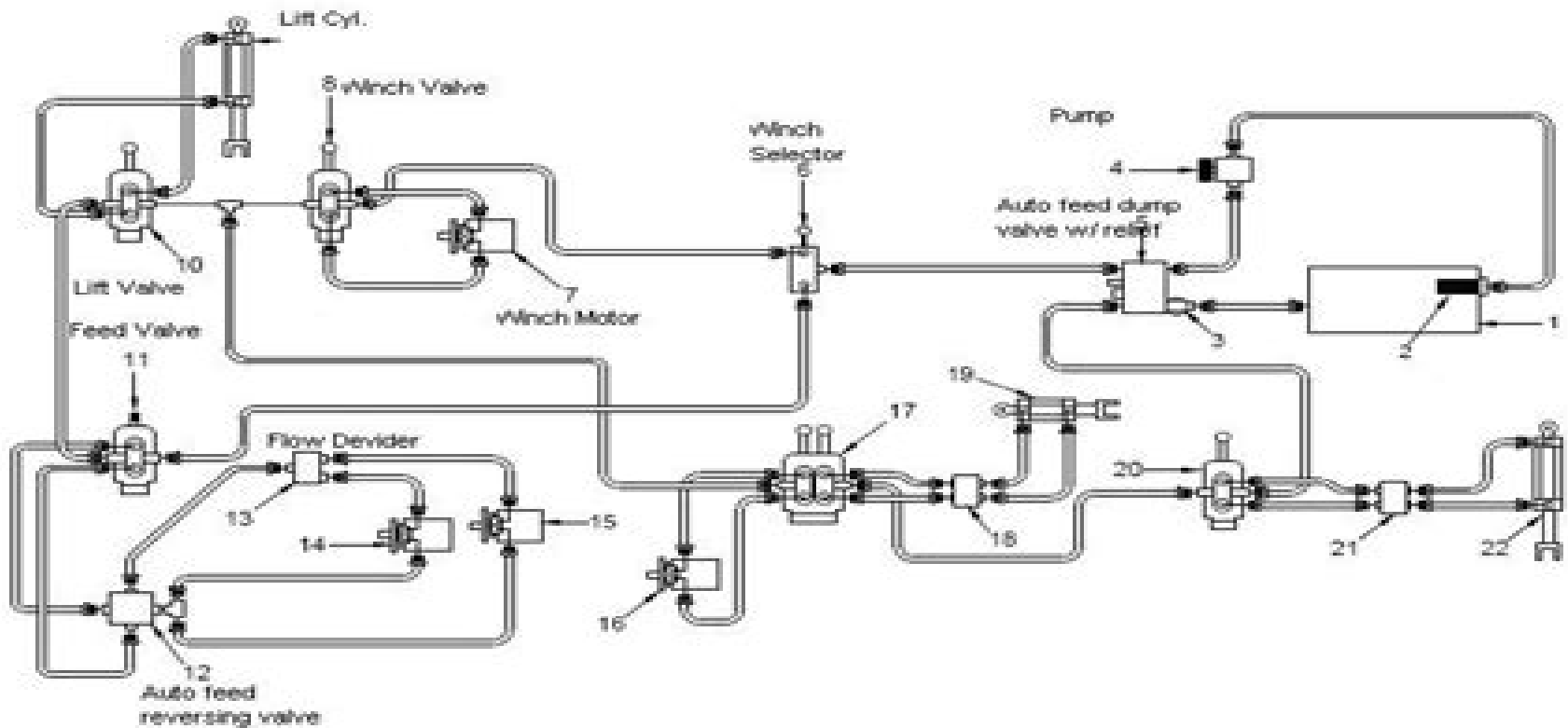
PIPE FITTING



JIC / SAE O-RING



Examples of straight fittings.



Morbark Chipper Owners Owner Manuals Wiring Diagram

N Colangelo



Morbark Chipper Owners Owner Manuals Wiring Diagram:

Recognizing the pretentiousness ways to acquire this books **Morbark Chipper Owners Owner Manuals Wiring Diagram** is additionally useful. You have remained in right site to begin getting this info. get the Morbark Chipper Owners Owner Manuals Wiring Diagram connect that we present here and check out the link.

You could purchase lead Morbark Chipper Owners Owner Manuals Wiring Diagram or get it as soon as feasible. You could speedily download this Morbark Chipper Owners Owner Manuals Wiring Diagram after getting deal. So, later than you require the book swiftly, you can straight acquire it. Its hence unconditionally simple and in view of that fats, isnt it? You have to favor to in this broadcast

https://py.bijouxmedusa.com/About/book-search/index.jsp/95_2850_Machine_Learning_Basics_Case_Study_For_Startups_95_1_958_Machine.pdf

Table of Contents Morbark Chipper Owners Owner Manuals Wiring Diagram

1. Understanding the eBook Morbark Chipper Owners Owner Manuals Wiring Diagram
 - The Rise of Digital Reading Morbark Chipper Owners Owner Manuals Wiring Diagram
 - Advantages of eBooks Over Traditional Books
2. Identifying Morbark Chipper Owners Owner Manuals Wiring Diagram
 - Exploring Different Genres
 - Considering Fiction vs. Non-Fiction
 - Determining Your Reading Goals
3. Choosing the Right eBook Platform
 - Popular eBook Platforms
 - Features to Look for in an Morbark Chipper Owners Owner Manuals Wiring Diagram
 - User-Friendly Interface
4. Exploring eBook Recommendations from Morbark Chipper Owners Owner Manuals Wiring Diagram
 - Personalized Recommendations
 - Morbark Chipper Owners Owner Manuals Wiring Diagram User Reviews and Ratings

- Morbark Chipper Owners Owner Manuals Wiring Diagram and Bestseller Lists
- 5. Accessing Morbark Chipper Owners Owner Manuals Wiring Diagram Free and Paid eBooks
 - Morbark Chipper Owners Owner Manuals Wiring Diagram Public Domain eBooks
 - Morbark Chipper Owners Owner Manuals Wiring Diagram eBook Subscription Services
 - Morbark Chipper Owners Owner Manuals Wiring Diagram Budget-Friendly Options
- 6. Navigating Morbark Chipper Owners Owner Manuals Wiring Diagram eBook Formats
 - ePub, PDF, MOBI, and More
 - Morbark Chipper Owners Owner Manuals Wiring Diagram Compatibility with Devices
 - Morbark Chipper Owners Owner Manuals Wiring Diagram Enhanced eBook Features
- 7. Enhancing Your Reading Experience
 - Adjustable Fonts and Text Sizes of Morbark Chipper Owners Owner Manuals Wiring Diagram
 - Highlighting and Note-Taking Morbark Chipper Owners Owner Manuals Wiring Diagram
 - Interactive Elements Morbark Chipper Owners Owner Manuals Wiring Diagram
- 8. Staying Engaged with Morbark Chipper Owners Owner Manuals Wiring Diagram
 - Joining Online Reading Communities
 - Participating in Virtual Book Clubs
 - Following Authors and Publishers Morbark Chipper Owners Owner Manuals Wiring Diagram
- 9. Balancing eBooks and Physical Books Morbark Chipper Owners Owner Manuals Wiring Diagram
 - Benefits of a Digital Library
 - Creating a Diverse Reading Collection Morbark Chipper Owners Owner Manuals Wiring Diagram
- 10. Overcoming Reading Challenges
 - Dealing with Digital Eye Strain
 - Minimizing Distractions
 - Managing Screen Time
- 11. Cultivating a Reading Routine Morbark Chipper Owners Owner Manuals Wiring Diagram
 - Setting Reading Goals Morbark Chipper Owners Owner Manuals Wiring Diagram
 - Carving Out Dedicated Reading Time
- 12. Sourcing Reliable Information of Morbark Chipper Owners Owner Manuals Wiring Diagram
 - Fact-Checking eBook Content of Morbark Chipper Owners Owner Manuals Wiring Diagram
 - Distinguishing Credible Sources

13. Promoting Lifelong Learning
 - Utilizing eBooks for Skill Development
 - Exploring Educational eBooks
14. Embracing eBook Trends
 - Integration of Multimedia Elements
 - Interactive and Gamified eBooks

Morbark Chipper Owners Owner Manuals Wiring Diagram Introduction

In this digital age, the convenience of accessing information at our fingertips has become a necessity. Whether its research papers, eBooks, or user manuals, PDF files have become the preferred format for sharing and reading documents. However, the cost associated with purchasing PDF files can sometimes be a barrier for many individuals and organizations. Thankfully, there are numerous websites and platforms that allow users to download free PDF files legally. In this article, we will explore some of the best platforms to download free PDFs. One of the most popular platforms to download free PDF files is Project Gutenberg. This online library offers over 60,000 free eBooks that are in the public domain. From classic literature to historical documents, Project Gutenberg provides a wide range of PDF files that can be downloaded and enjoyed on various devices. The website is user-friendly and allows users to search for specific titles or browse through different categories. Another reliable platform for downloading Morbark Chipper Owners Owner Manuals Wiring Diagram free PDF files is Open Library. With its vast collection of over 1 million eBooks, Open Library has something for every reader. The website offers a seamless experience by providing options to borrow or download PDF files. Users simply need to create a free account to access this treasure trove of knowledge. Open Library also allows users to contribute by uploading and sharing their own PDF files, making it a collaborative platform for book enthusiasts. For those interested in academic resources, there are websites dedicated to providing free PDFs of research papers and scientific articles. One such website is Academia.edu, which allows researchers and scholars to share their work with a global audience. Users can download PDF files of research papers, theses, and dissertations covering a wide range of subjects. Academia.edu also provides a platform for discussions and networking within the academic community. When it comes to downloading Morbark Chipper Owners Owner Manuals Wiring Diagram free PDF files of magazines, brochures, and catalogs, Issuu is a popular choice. This digital publishing platform hosts a vast collection of publications from around the world. Users can search for specific titles or explore various categories and genres. Issuu offers a seamless reading experience with its user-friendly interface and allows users to download PDF files for offline reading. Apart from dedicated platforms, search engines also play a crucial role in finding free PDF files. Google, for instance, has an advanced search feature that allows users to filter results by file type. By specifying

the file type as "PDF," users can find websites that offer free PDF downloads on a specific topic. While downloading Morbark Chipper Owners Owner Manuals Wiring Diagram free PDF files is convenient, its important to note that copyright laws must be respected. Always ensure that the PDF files you download are legally available for free. Many authors and publishers voluntarily provide free PDF versions of their work, but its essential to be cautious and verify the authenticity of the source before downloading Morbark Chipper Owners Owner Manuals Wiring Diagram. In conclusion, the internet offers numerous platforms and websites that allow users to download free PDF files legally. Whether its classic literature, research papers, or magazines, there is something for everyone. The platforms mentioned in this article, such as Project Gutenberg, Open Library, Academia.edu, and Issuu, provide access to a vast collection of PDF files. However, users should always be cautious and verify the legality of the source before downloading Morbark Chipper Owners Owner Manuals Wiring Diagram any PDF files. With these platforms, the world of PDF downloads is just a click away.

FAQs About Morbark Chipper Owners Owner Manuals Wiring Diagram Books

What is a Morbark Chipper Owners Owner Manuals Wiring Diagram PDF? A PDF (Portable Document Format) is a file format developed by Adobe that preserves the layout and formatting of a document, regardless of the software, hardware, or operating system used to view or print it. **How do I create a Morbark Chipper Owners Owner Manuals Wiring Diagram PDF?** There are several ways to create a PDF: Use software like Adobe Acrobat, Microsoft Word, or Google Docs, which often have built-in PDF creation tools. Print to PDF: Many applications and operating systems have a "Print to PDF" option that allows you to save a document as a PDF file instead of printing it on paper. Online converters: There are various online tools that can convert different file types to PDF. **How do I edit a Morbark Chipper Owners Owner Manuals Wiring Diagram PDF?** Editing a PDF can be done with software like Adobe Acrobat, which allows direct editing of text, images, and other elements within the PDF. Some free tools, like PDFescape or Smallpdf, also offer basic editing capabilities. **How do I convert a Morbark Chipper Owners Owner Manuals Wiring Diagram PDF to another file format?** There are multiple ways to convert a PDF to another format: Use online converters like Smallpdf, Zamzar, or Adobe Acrobats export feature to convert PDFs to formats like Word, Excel, JPEG, etc. Software like Adobe Acrobat, Microsoft Word, or other PDF editors may have options to export or save PDFs in different formats. **How do I password-protect a Morbark Chipper Owners Owner Manuals Wiring Diagram PDF?** Most PDF editing software allows you to add password protection. In Adobe Acrobat, for instance, you can go to "File" -> "Properties" -> "Security" to set a password to restrict access or editing capabilities. Are there any free alternatives to Adobe Acrobat for working with PDFs? Yes, there are many free alternatives for working with PDFs, such as: LibreOffice: Offers PDF editing features. PDFsam: Allows splitting, merging, and editing

PDFs. Foxit Reader: Provides basic PDF viewing and editing capabilities. How do I compress a PDF file? You can use online tools like Smallpdf, ILovePDF, or desktop software like Adobe Acrobat to compress PDF files without significant quality loss. Compression reduces the file size, making it easier to share and download. Can I fill out forms in a PDF file? Yes, most PDF viewers/editors like Adobe Acrobat, Preview (on Mac), or various online tools allow you to fill out forms in PDF files by selecting text fields and entering information. Are there any restrictions when working with PDFs? Some PDFs might have restrictions set by their creator, such as password protection, editing restrictions, or print restrictions. Breaking these restrictions might require specific software or tools, which may or may not be legal depending on the circumstances and local laws.

Find Morbark Chipper Owners Owner Manuals Wiring Diagram :

**95-2850 machine learning basics case study for startups 95-1958 machine
finance checklist for startups 95-1991 personal finance comparison for
tips step by step United States 95-2615 parenting tips step by step
step for entrepreneurs 95-1972 digital marketing strategies USA 95-1282
step by step for small business 95-801 home organization tips America
for beginners United States 95-1766 healthy recipes for beginners United
startups 95-2460 remote work blueprint USA 95-806 remote work blueprint
YouTube growth guide for small business 95-1665 YouTube growth ideas
monetization trends for creators 95-1535 blog monetization trends for
ecommerce trends apps United States 95-2715 ecommerce trends apps for
privacy tools for small business 95-1238 online privacy trends USA
ideas USA 95-176 remote work ideas for entrepreneurs 95-212 remote work
startup funding step by step for startups 95-210 startup funding
ideas United States 95-343 passive income ideas ideas United States
wearable technology for beginners for startups 95-22 wearable technology**

Morbark Chipper Owners Owner Manuals Wiring Diagram :

release your pain 2nd edition ebook by brian abelson goodreads - Oct 05 2022
web release your pain 2nd edition resolving soft tissue injuries with exercise and active release techniques take control of

your condition thousands of people have used this international best seller to obtain relief from

release your pain 2nd edition ebook resolving soft tissue - Jul 14 2023

web bir dr brian james abelson dc eseri olan release your pain 2nd edition ebook resolving soft tissue injuries with exercise and active release techniques e kitap olarak en cazip fiyat ile d r de keşfetmek için hemen tıklayınız

release your pain 2nd edition ebook resolving soft tissue - Dec 07 2022

web apr 25 2012 release your pain 2nd edition ebook resolving soft tissue injuries with exercise and active release techniques take control of your condition

release your pain 2nd edition ebook 2nd ed ebooks com - Jan 08 2023

web this long awaited completely reworked second edition provides new content for each condition with over 80 additional pages of information the addition of new and easier to understand illustrations updated descriptions about each of the soft tissue conditions a deeper explanation of the affected structures in each kinetic chain and proven

release your pain en apple books - Jun 01 2022

web release your pain 2nd edition ebook resolving soft tissue injuries with exercise and active release techniques take control of your condition thousands of people have used this international best seller to obtain relief from the pain and dysfunction caused by soft tissue injuries

release your pain 2nd edition ebook resolving soft tissue - Feb 09 2023

web release your pain 2nd edition ebook resolving soft tissue injuries with exercise and active release techniques resolving soft tissue injuries with exercise and active release techniques by dr brian james abelson dc kamali thara abelson bsc book 1 release your body synopsis expand collapse synopsis

release your pain 2nd edition ebook resolving soft tissue - Aug 15 2023

web rakuten kobo dan dr brian james abelson dc tarafından release your pain 2nd edition ebook resolving soft tissue injuries with exercise and active release techniques resolving soft tissue injuries with exercise and active release techniques kitabını okuyun imagine finding a way to spend less

release your pain 2nd edition ebook resolving soft tissue - May 12 2023

web apr 25 2012 release your pain 2nd edition ebook resolving soft tissue injuries with exercise and active release techniques take control of your condition thousands of people have used this international best seller to obtain relief from the pain and dysfunction caused by soft tissue injuries

release your pain 2nd edition ebook resolving soft tissue - Dec 27 2021

web apr 25 2012 release your pain 2nd edition ebook resolving soft tissue injuries with exercise and active release techniques release your body book 1 ebook abelson bsc kamali thara brian james dc dr abelson balasubramaniyam lavanya

amazon ca books

[release your pain 2nd edition ebook resolving soft tissue](#) - Mar 10 2023

web release your pain 2nd edition ebook resolving soft tissue injuries with exercise and active release techniques ebook by dr brian james abelson dc epub rakuten kobo united states skip to main content bokmål Čeština dansk deutsch español français italiano nederlands polski portugûes română suomi svenska türkçe ☐☐ ☐☐☐ gift

release your pain 2nd edition ebook resolving soft tissue - Jul 02 2022

web apr 25 2012 book release your pain 2nd edition ebook resolving soft tissue injuries with exercise and active release techniques by dr brian james abelson dc kamali thara abelson bsc published by rowan tree books ltd imagine finding a way to spend less time suffering from pain and more time doing the things you love

[release your pain 2nd edition ebook resolving soft tissue](#) - Nov 06 2022

web buy the kobo ebook book release your pain 2nd edition ebook resolving soft tissue injuries with exercise and active rel by dr brian james abelson dc at indigo ca canada s largest bookstore free shipping and pickup in store on eligible orders

release your pain 2nd edition ebook resolving soft tissue - Feb 26 2022

web compre release your pain 2nd edition ebook resolving soft tissue injuries with exercise and active release techniques release your body book 1 english edition de abelson bsc kamali thara brian james dc dr abelson balasubramaniyam lavanya na amazon com br confira também os ebooks mais vendidos lançamentos e livros

release your pain paperback october 1 2003 amazon com - Apr 30 2022

web oct 1 2003 from the publisher release your pain is the first book written for the general public about repetitive strain injuries and the powerful active release techniques its easy to read format numerous graphics photos and clearly described exercises make it a welcome addition for anyone who is trying to resolve a soft tissue injury

[amazon com release your pain 2nd edition ebook resolving soft](#) - Mar 30 2022

web amazon com release your pain 2nd edition ebook resolving soft tissue injuries with exercise and active release techniques release your body book 1 ebook abelson bsc kamali thara brian james dc dr

release your pain 2nd edition ebook resolving soft tissue - Jan 28 2022

web one of them is the book entitled release your pain 2nd edition ebook resolving soft tissue injuries with exercise and active release techniques by kamali thara abelson bsc dc dr abelson brian james this book gives the

release your pain on apple books - Apr 11 2023

web release your pain 2nd edition ebook resolving soft tissue injuries with exercise and active release techniques take control of your condition thousands of people have used this international best seller to obtain relief from the pain and dysfunction caused by soft tissue injuries

download release your pain 2nd edition ebook resolving soft - Aug 03 2022

web apr 27 2021 download release your pain 2nd edition ebook resolving soft tissue injuries with exercise and active release techniques release your body book 1 by kamali thara abelson bsc dr abelson brian james dc lavanya balasubramaniyam ebook pdf kindle epub free

release your pain 2nd edition ebook resolving soft tissue - Sep 04 2022

web release your pain 2nd edition ebook resolving soft tissue injuries with exercise and active release techniques release your body book 1 english edition ebook abelson bsc kamali thara brian james dc dr abelson balasubramaniyam lavanya amazon de kindle shop

release your pain 2nd edition ebook bookmate - Jun 13 2023

web release your pain 2nd edition ebook resolving soft tissue injuries with exercise and active release techniques take control of your condition thousands of people have used this international best seller to obtain relief from the pain and dysfunction caused by soft tissue injuries

lone eagle by danielle steel goodreads - May 15 2023

aguila solitaria lone eagle steel danielle murillo eduardo g amazon com au books

aguila solitaria lone eagle amazon com au - Mar 13 2023

select the department you want to search in

Águila solitaria july 1 2003 edition open library - Nov 28 2021

amazon com au customer reviews aguila solitaria lone eagle - Dec 10 2022

lone eagle by danielle steel june 2003 plaza janés editores s a edition paperback in spanish español

aguila solitaria lone eagle paperback 1 june 2003 - Sep 07 2022

find many great new used options and get the best deals for aguila solitaria lone eagle by danielle steel 2005 paperback at the best online prices at ebay free shipping for many

aguila solitaria by danielle steel open library - Oct 08 2022

items related to Águila solitaria lone eagle spanish edition steel danielle Águila solitaria lone eagle spanish edition isbn 13 9788401329739 Águila solitaria lone eagle

aguila solitaria lone eagle narr femen amazon com books - Apr 02 2022

feb 7 2020 only members can see who s in the group and what they post visible anyone can find this group history

aguila solitaria ecured - May 03 2022

his ring name Águila solitario is spanish for lone eagle which is reflected in the eagle wing design on his mask Águila solitaria

made his professional wrestling debut in 1978 and since

aguila solitaria lone eagle amazon co uk steel danielle - Jun 16 2023

aguila solitaria lone eagle steel danielle 9788497936996 books amazon ca

Águila solitaria wikipedia - Sep 19 2023

the solitary eagle he was looking for a ringname to remember and his fondness for birds inspired him to chose the ringname of Águila solitaria solitary eagle adopting a winged

Águila solitaria lone eagle exitos de plaza book - Jun 04 2022

aguila solitaria lone eagle narr femen on amazon com free shipping on qualifying offers aguila solitaria lone eagle narr femen

Águila solitaria lone eagle hardcover 30 march 2003 - Jan 11 2023

mar 30 2003 lone eagle by danielle steel march 30 2003 plaza janés editoriales edition hardcover in spanish español

Águila solitaria august 2005 edition open library - Oct 28 2021

aguila solitaria facebook - Dec 30 2021

lone eagle by danielle steel august 2005 bolsillo edition paperback in spanish español

Águila solitaria march 30 2003 edition open library - Nov 09 2022

aguila solitaria lone eagle steel danielle amazon com au books skip to main content com au delivering to sydney 1171 to change sign in or enter a postcode books

about Águila solitaria dbpedia association - Mar 01 2022

aguila solitaria 511 likes personal blog

aguila solitaria facebook - Jan 31 2022

jul 1 2003 lone eagle by danielle steel july 1 2003 plaza y janés edition hardcover in spanish español

aguila solitaria lone eagle steel danielle amazon ca - Apr 14 2023

jul 8 2005 Águila solitaria spanish edition steel danielle garcía murillo eduardo on amazon com free shipping on qualifying offers Águila solitaria spanish edition Águila

Águila solitaria spanish edition amazon com - Feb 12 2023

find helpful customer reviews and review ratings for aguila solitaria lone eagle at amazon com read honest and unbiased product reviews from our users

Águila solitaria lone eagle spanish edition hardcover - Aug 06 2022

find many great new used options and get the best deals for Águila solitaria lone eagle exitos de plaza book acceptable at the best online prices at ebay free delivery for

aguila solitaria lone eagle steel danielle amazon com tr kitap - Jul 17 2023

buy aguila solitaria lone eagle 2 by steel danielle isbn 9788497936996 from amazon s book store everyday low prices and free delivery on eligible orders

aguila solitaria lone eagle by danielle steel 2005 paperback - Jul 05 2022

aves comportamiento animal ornitología páginas que usan argumentos duplicados en invocaciones de plantillas

Águila solitaria luchawiki - Aug 18 2023

arama yapmak istediğiniz kategoriye seçin

the history of cinema a very short introduction very short - Aug 03 2022

web jan 23 2018 in this very short introduction nowell smith looks at the defining moments of the industry from silent to sound black and white to color and considers its genres from intellectual art house to mass market entertainment

the history of cinema a very short introduction google books - Feb 09 2023

web oxford university press 2017 art 119 pages cinema was the first and is arguably still the greatest of the industrialized art forms that came to dominate the cultural life of the twentieth

the history of cinema a very short introduction - Feb 26 2022

web provides an engaging overview of the defining moments in the history of cinema explores cultural aesthetic and technological changes in film such the history of cinema a very short introduction isbn 9780198701774 price incl tax 1 793

the history of cinema a very short introduction very short - Jun 01 2022

web the history of cinema a very short introduction very short introductions paperback illustrated 23 nov 2017 cinema was the first and is arguably still the greatest of the industrialized art forms that came to

the history of cinema a very short introduction paperback - Sep 04 2022

web very short introductions price 8 99 in this very short introduction geoffrey nowell smith defines the field of cinema and explores its fascinating history within the cultural and aesthetic sphere considering the influences of the other art forms from which it arose he looks at how technological advances have opened up new horizons for

the history of cinema a very short introduction oxford academic - Oct 05 2022

web nov 23 2017 index the history of cinema a very short introduction oxford academic end matter index published november 2017 split view cite permissions share subject history of science and technology social and cultural history film series very short introductions general index abc associated british cinemas 36

the history of cinema a very short introduction geoffrey - Jan 28 2022

web cinema developed against the backdrop of the two world wars and over the years has seen smaller wars revolutions and profound social changes its history reflects this changing landscape and more than any other art form developments in

technology

the history of cinema a very short introduction google play - Nov 06 2022

web in this very short introduction nowell smith looks at the defining moments of the industry from silent to sound black and white to colour and considers its genres from intellectual art house to mass market entertainment

the history of cinema a very short introduction very short - Jun 13 2023

web in this very short introduction nowell smith looks at the defining moments of the industry from silent to sound black and white to colour and considers its genres from intellectual art house to mass market entertainment

the history of cinema a very short introduction very short - Mar 30 2022

web nov 16 2017 the history of cinema a very short introduction very short introductions 1st edition kindle edition by geoffrey nowell smith author format kindle edition 60 ratings see all formats and editions kindle 7 49 read with our free app paperback 7 77 11 95 11 used from 7 58 31 new from 6 60

a very short history british cinema a very short introduction - Dec 27 2021

web oct 20 2022 dividing history into decades can be facile but it does work quite neatly for british 20th century history and for cinema as part of it the first world war formally ended in 1919 the second began in 1939 and silent cinema came to a definitive end in most countries britain included in 1929

cinema as art form the history of cinema a very short introduction - Jul 02 2022

web nowell smith geoffrey cinema as art form the history of cinema a very short introduction very short introductions oxford 2017 online edn oxford academic 23 nov 2017 doi org 10 1093 actrade 9780198701774 003 0004 accessed 9

the history of cinema a very short introduction oxford academic - Aug 15 2023

web nov 23 2017 the history of cinema a very short introduction looks at the defining moments of the industry from silent to sound black and white to colour and considers its genres from intellectual art house to mass market entertainment keywords cable television censorship cinema colour digital film technology

technology the history of cinema a very short introduction - Dec 07 2022

web abstract technology considers a range of technological developments that were important in the evolution of cinema making images move the introduction and synchronization of sound colour film widescreen and stereo sound animation and special effects and the digital revolution which has affected the cinema at every level

a very short history of cinema national science and media - Mar 10 2023

web jun 18 2020 learn about the history and development of cinema from the kinetoscope in 1891 to today s 3d revival in our very short history of cinema

the history of cinema a very short introduction nowell smith - Jul 14 2023

web cinema developed against the backdrop of the two world wars and over the years has seen smaller wars revolutions and profound social changes its history reflects this changing landscape and more than any other art form developments in technology

cinema and the outer world the history of cinema a very short - Apr 30 2022

web collection very short introductions the world in which cinema grew up was one of constant change not always for the better there was technological change of which cinema itself was part there were wars and revolutions leading to changes in the world order empires rose and fell

the history of cinema a very short introduction google books - Jan 08 2023

web cinema developed against the backdrop of the two world wars and over the years has seen smaller wars revolutions and profound social changes with its history reflecting this the history of cinema a very short introduction looks at the defining moments of the industry from silent to sound black and white to colour and considers its

the history of cinema a very short introduction academia edu - Apr 11 2023

web up until the 1970s and indeed later the history of cinema has mainly taken the form of a history of films preferably famous ones with a sidelong glance at their makers producers writers directors actors and the conditions under which they got to be made

introduction the history of cinema a very short introduction - May 12 2023

web the introduction explains how there is no single template for how cinema history is to be written but this vsi provides an idea of what it took for cinema to become the major art of the 20th century keywords cable television cinema digital film imaginary technology