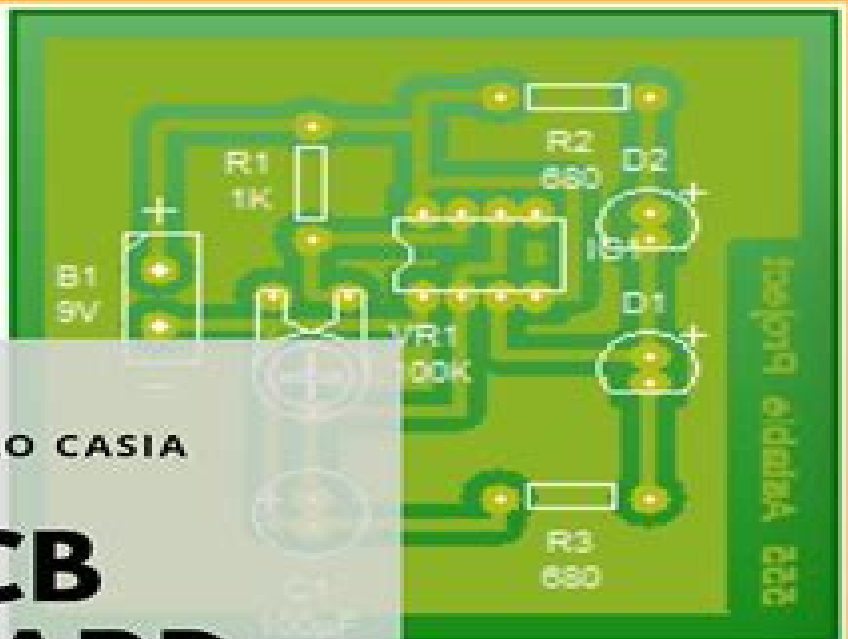
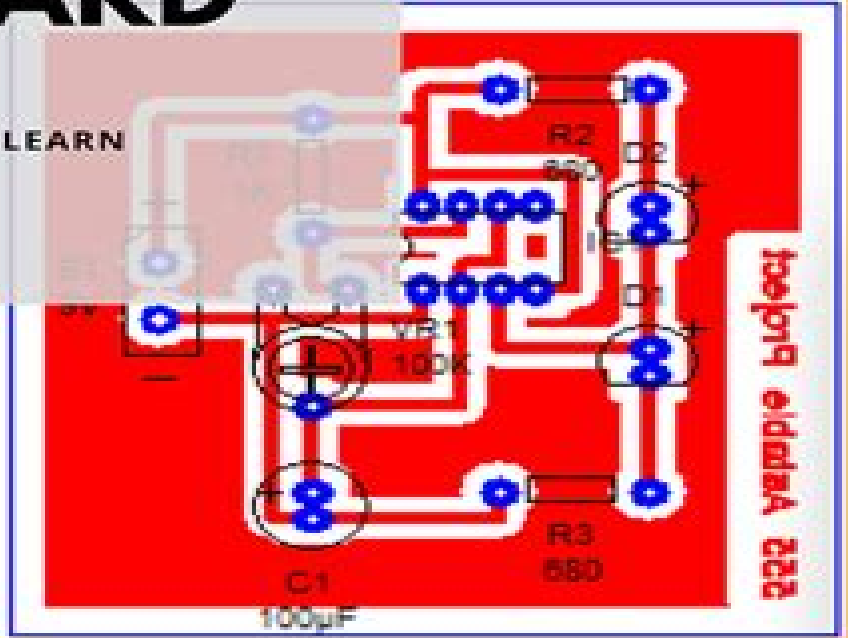
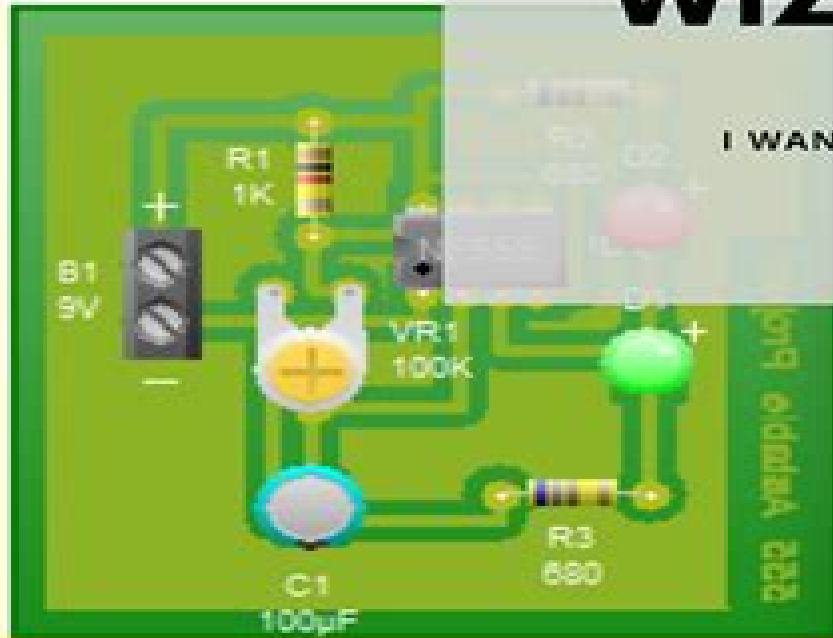


BY DANILLO CASIA

PCB WIZARD



I WANT LEARN



Pcb Wizard Tutorial 1

N Noddings



Pcb Wizard Tutorial 1:

Complete PCB Design Using OrCad Capture and Layout Kraig Mitzner, 2011-04-01 Complete PCB Design Using OrCad Capture and Layout provides instruction on how to use the OrCAD design suite to design and manufacture printed circuit boards The book is written for both students and practicing engineers who need a quick tutorial on how to use the software and who need in depth knowledge of the capabilities and limitations of the software package There are two goals the book aims to reach The primary goal is to show the reader how to design a PCB using OrCAD Capture and OrCAD Layout Capture is used to build the schematic diagram of the circuit and Layout is used to design the circuit board so that it can be manufactured The secondary goal is to show the reader how to add PSpice simulation capabilities to the design and how to develop custom schematic parts footprints and PSpice models Often times separate designs are produced for documentation simulation and board fabrication This book shows how to perform all three functions from the same schematic design This approach saves time and money and ensures continuity between the design and the manufactured product Information is presented in the exact order a circuit and PCB are designed Straightforward realistic examples present the how and why the designs work providing a comprehensive toolset for understanding the OrCAD software Introduction to the IPC JEDEC and IEEE standards relating to PCB design Full color interior and extensive illustrations allow readers to learn features of the product in the most realistic manner possible Complete PCB Design Using OrCAD Capture and PCB Editor Kraig

Mitzner, 2009-05-28 This book provides instruction on how to use the OrCAD design suite to design and manufacture printed circuit boards The primary goal is to show the reader how to design a PCB using OrCAD Capture and OrCAD Editor Capture is used to build the schematic diagram of the circuit and Editor is used to design the circuit board so that it can be manufactured The book is written for both students and practicing engineers who need in depth instruction on how to use the software and who need background knowledge of the PCB design process Beginning to end coverage of the printed circuit board design process Information is presented in the exact order a circuit and PCB are designed Over 400 full color illustrations including extensive use of screen shots from the software allow readers to learn features of the product in the most realistic manner possible Straightforward realistic examples present the how and why the designs work providing a comprehensive toolset for understanding the OrCAD software Introduces and follows IEEE IPC and JEDEC industry standards for PCB design Unique chapter on Design for Manufacture covers padstack and footprint design and component placement for the design of manufacturable PCB s FREE CD containing the OrCAD demo version and design files

Thermal Analysis with SolidWorks Simulation 2014 Paul Kurowski, 2014 Thermal Analysis with SolidWorks Simulation 2014 goes beyond the standard software manual It concurrently introduces the reader to thermal analysis and its implementation in SolidWorks Simulation using hands on exercises A number of projects are presented to illustrate thermal analysis and related topics Each chapter is designed to build on the skills and understanding gained from previous exercises

Thermal Analysis with SolidWorks Simulation 2014 is designed for users who are already familiar with the basics of Finite Element Analysis FEA using SolidWorks Simulation or who have completed the book Engineering Analysis with SolidWorks Simulation 2014 Thermal Analysis with SolidWorks Simulation 2014 builds on these topics in the area of thermal analysis Some understanding of FEA and SolidWorks Simulation is assumed Desarrollo y Construcción de Prototipos Electrónicos Ángel Bueno Martín, Ana I. de Soto Gorroño, 2005-09-15 Este manual es una guía que proporciona instrucciones completas y detalladas para el uso de los programas OrCAD Capture Layout plus y LPKF CircuitCAM BoardMaster de diseño y construcción de prototipos electrónicos respectivamente Pretendemos familiarizar al lector con el entorno de trabajo CAD CAM electrónico a través del software propuesto Junto a las indicaciones que ayudan a adquirir la destreza en el manejo de las herramientas informáticas orientadas al diseño electrónico en este libro se dan una serie de consejos y observaciones de interés que facilitan el trabajo y aclaran las dudas que con frecuencia le surgen al principiante haciendo hincapié en la correcta obtención y presentación de resultados informes planos fotolitos etc Respecto a la metodología cabe destacar su carácter de tutorial es decir se propone un ejemplo que servir de hilo conductor para ir completando las fases que conforman la base de datos del diseño Cada tema está desarrollado gradualmente explicando los comandos e instrucciones allí donde aparecen por vez primera Se acompañan numerosas ventanas pantallas aclaratorias aportaciones prácticas y explicaciones adicionales en aras a facilitar la comprensión de lo expuesto Se trata en definitiva de un método que ayuda en la realización de un trabajo organizado y eficaz que facilita la labor del profesor y el aprendizaje del alumno MATERIALES ADICIONALES EN APARTADO DE DESCARGAS DEL WEB MARCOMBO.COM **PC Mag**, 1993-06-29 PCMag.com is a leading authority on technology delivering Labs based independent reviews of the latest products and services Our expert industry analysis and practical solutions help you make better buying decisions and get more from technology **Byte**, 1984 **Microtimes**, 1993-04 Macworld, 1989 *Sound & Vibration*, 2000 **PC/Computing**, 1993-07 **SolidWorks práctico II - 2.ª edición** Sergio Gómez González, 2024-06-19 Si es un estudiante o un diseñador novel que desea adentrarse en el diseño y validación de productos mecánicos con SolidWorks con el objetivo de crear máquinas mecanismos productos o modelos para impresión 3D ha llegado al libro indicado SolidWorks práctico II es una compilación de prácticas guiadas y ejercicios de examen diseñados por el autor para sus clases universitarias en la Universidad Politécnica de Cataluña EEBE UPC Estas prácticas abarcan una amplia gama de complementos como Routing Motion Simulation FlowSimulation Photoview SolidCAM DMFXpress entre otros El contenido del libro se caracteriza por su enfoque visual y práctico lo que facilita la lectura con abundantes ilustraciones que detallan las etapas necesarias para utilizar los complementos de SolidWorks en el diseño y validación de productos más eficientes seguros y económicos Además en el libro encontrar el código de acceso que le permitirá descargar de forma gratuita los contenidos adicionales desde www.marcombo.info que incluyen los modelos descritos a lo largo de la obra Esta segunda edición también cuenta con el acceso gratuito al Curso de SolidWorks Simulation Flow

Simulation y otros complementos Dicho curso est valorado en 35 y se compone de 54 videos con una duraci n total de 8 horas para que profundice en el entorno las aplicaciones y las funcionalidades de Solidworks el dise o de chapa met lica el dise o de moldes para inyecci n de pl sticos las simulaciones de inyecci n de pl sticos SolidWorks Plastics el dise o de estructura met lica y soldadura biblioteca de dise o y Toolbox PhotoViewer 360 imagen sint tica FeatureWorks SolidWorks Costing sostenibilidad FDMXpress entre otros Al finalizar el curso podr realizar un proyecto para conseguir la certificaci n de realizaci n del curso H gase con este libro y saque provecho de SolidWorks el software CAD CAM CAE que le permitir adem s de modelar piezas ensamblar conjuntos y crear planos validar sus dise os para realizar productos m s seguros y eficientes

PC Magazine ,2001

Applied Science & Technology Index ,1997

InfoWorld ,1986

PCB Design & Layout

For DIY Etching A B Lawal,2021-03-14 In this tutorial you will learn step by step how to use Ultiboard to route and make a single layer Printed Circuit Board layout that you can print out on paper Finally you will learn with demo videos a very inexpensive DIY method for transferring your layout to a Copper Clad board that you can etch and solder manually No heat transfer is involved After reading and completing the simple demo projects in this book you will learn many features of Ultiboard very fast and very effectively without getting overwhelmed You will not need to export any files or send gerbers to a PCB manufacturer fabricator We will be using the National Instruments Ultiboard and Multism PCB Design suite which I found to be the best among several others I have used Any of the versions 12 13 and 14 of this suite works perfectly well There is a link in this book for you to download a hassle free trial version of the suite that you can use for many days to learn and practice many projects of your own Merely having the Ultiboard user manual or referring to its help contents is far from sufficient in becoming a skillful PCB designer Therefore this book is extremely useful for building PCB design skills very fast First it will give you a big head start if you have never designed a PCB layout before Then it will teach you more advanced techniques you need to learn design and build anything from simple to complex PCB layouts using mostly Ultiboard Finally if you have questions or need further help I urge you to use the support link I provided in the last Chapter of this book I will get back to you very quickly

Complete PCB Design Using OrCAD Capture and PCB Editor Kraig Mitzner,Bob

Doe,Alexander Akulin,Anton Suponin,Dirk Müller,2019-06-20 Complete PCB Design Using OrCAD Capture and PCB Editor

Second Edition provides practical instruction on how to use the OrCAD design suite to design and manufacture printed circuit boards Chapters cover how to Design a PCB using OrCAD Capture and OrCAD PCB Editor adding PSpice simulation capabilities to a design how to develop custom schematic parts how to create footprints and PSpice models and how to perform documentation simulation and board fabrication from the same schematic design This book is suitable for both beginners and experienced designers providing basic principles and the program s full capabilities for optimizing designs Companion site <https://www.elsevier.com/books-and-journals/book-companion/9780128176849> Presents a fully updated edition on OrCAD Capture Version 17.2 Combines the theoretical and practical parts of PCB design Includes real life design

examples that show how and why designs work providing a comprehensive toolset for understanding OrCAD software
Provides the exact order in which a circuit and PCB are designed Introduces the IPC JEDEC and IEEE standards relating to
PCB design *Printed Circuit Boards* R. S. Khandpur,2005-09-07 The printed circuit is the basic building block of the
electronics hardware industry This is a comprehensive single volume self teaching guide to the art of printed circuit board
design and fabrication covering the complete cycle of PCB creation design layout fabrication assembly and testing

Eventually, you will utterly discover a further experience and exploit by spending more cash. yet when? realize you resign yourself to that you require to acquire those every needs gone having significantly cash? Why dont you attempt to acquire something basic in the beginning? Thats something that will lead you to comprehend even more with reference to the globe, experience, some places, once history, amusement, and a lot more?

It is your no question own epoch to put it on reviewing habit. among guides you could enjoy now is **Pcb Wizard Tutorial 1** below.

<https://py.bijouxmedusa.com/public/publication/fetch.php/technical%20analysis%20of%20stock%20trends%208th%20edition.pdf>

Table of Contents Pcb Wizard Tutorial 1

1. Understanding the eBook Pcb Wizard Tutorial 1
 - The Rise of Digital Reading Pcb Wizard Tutorial 1
 - Advantages of eBooks Over Traditional Books
2. Identifying Pcb Wizard Tutorial 1
 - Exploring Different Genres
 - Considering Fiction vs. Non-Fiction
 - Determining Your Reading Goals
3. Choosing the Right eBook Platform
 - Popular eBook Platforms
 - Features to Look for in an Pcb Wizard Tutorial 1
 - User-Friendly Interface
4. Exploring eBook Recommendations from Pcb Wizard Tutorial 1
 - Personalized Recommendations
 - Pcb Wizard Tutorial 1 User Reviews and Ratings
 - Pcb Wizard Tutorial 1 and Bestseller Lists

5. Accessing Pcb Wizard Tutorial 1 Free and Paid eBooks
 - Pcb Wizard Tutorial 1 Public Domain eBooks
 - Pcb Wizard Tutorial 1 eBook Subscription Services
 - Pcb Wizard Tutorial 1 Budget-Friendly Options
6. Navigating Pcb Wizard Tutorial 1 eBook Formats
 - ePub, PDF, MOBI, and More
 - Pcb Wizard Tutorial 1 Compatibility with Devices
 - Pcb Wizard Tutorial 1 Enhanced eBook Features
7. Enhancing Your Reading Experience
 - Adjustable Fonts and Text Sizes of Pcb Wizard Tutorial 1
 - Highlighting and Note-Taking Pcb Wizard Tutorial 1
 - Interactive Elements Pcb Wizard Tutorial 1
8. Staying Engaged with Pcb Wizard Tutorial 1
 - Joining Online Reading Communities
 - Participating in Virtual Book Clubs
 - Following Authors and Publishers Pcb Wizard Tutorial 1
9. Balancing eBooks and Physical Books Pcb Wizard Tutorial 1
 - Benefits of a Digital Library
 - Creating a Diverse Reading Collection Pcb Wizard Tutorial 1
10. Overcoming Reading Challenges
 - Dealing with Digital Eye Strain
 - Minimizing Distractions
 - Managing Screen Time
11. Cultivating a Reading Routine Pcb Wizard Tutorial 1
 - Setting Reading Goals Pcb Wizard Tutorial 1
 - Carving Out Dedicated Reading Time
12. Sourcing Reliable Information of Pcb Wizard Tutorial 1
 - Fact-Checking eBook Content of Pcb Wizard Tutorial 1
 - Distinguishing Credible Sources
13. Promoting Lifelong Learning

- Utilizing eBooks for Skill Development
 - Exploring Educational eBooks
14. Embracing eBook Trends
- Integration of Multimedia Elements
 - Interactive and Gamified eBooks

Pcb Wizard Tutorial 1 Introduction

Pcb Wizard Tutorial 1 Offers over 60,000 free eBooks, including many classics that are in the public domain. Open Library: Provides access to over 1 million free eBooks, including classic literature and contemporary works. Pcb Wizard Tutorial 1 Offers a vast collection of books, some of which are available for free as PDF downloads, particularly older books in the public domain. Pcb Wizard Tutorial 1 : This website hosts a vast collection of scientific articles, books, and textbooks. While it operates in a legal gray area due to copyright issues, its a popular resource for finding various publications. Internet Archive for Pcb Wizard Tutorial 1 : Has an extensive collection of digital content, including books, articles, videos, and more. It has a massive library of free downloadable books. Free-eBooks Pcb Wizard Tutorial 1 Offers a diverse range of free eBooks across various genres. Pcb Wizard Tutorial 1 Focuses mainly on educational books, textbooks, and business books. It offers free PDF downloads for educational purposes. Pcb Wizard Tutorial 1 Provides a large selection of free eBooks in different genres, which are available for download in various formats, including PDF. Finding specific Pcb Wizard Tutorial 1, especially related to Pcb Wizard Tutorial 1, might be challenging as theyre often artistic creations rather than practical blueprints. However, you can explore the following steps to search for or create your own Online Searches: Look for websites, forums, or blogs dedicated to Pcb Wizard Tutorial 1, Sometimes enthusiasts share their designs or concepts in PDF format. Books and Magazines Some Pcb Wizard Tutorial 1 books or magazines might include. Look for these in online stores or libraries. Remember that while Pcb Wizard Tutorial 1, sharing copyrighted material without permission is not legal. Always ensure youre either creating your own or obtaining them from legitimate sources that allow sharing and downloading. Library Check if your local library offers eBook lending services. Many libraries have digital catalogs where you can borrow Pcb Wizard Tutorial 1 eBooks for free, including popular titles. Online Retailers: Websites like Amazon, Google Books, or Apple Books often sell eBooks. Sometimes, authors or publishers offer promotions or free periods for certain books. Authors Website Occasionally, authors provide excerpts or short stories for free on their websites. While this might not be the Pcb Wizard Tutorial 1 full book , it can give you a taste of the authors writing style. Subscription Services Platforms like Kindle Unlimited or Scribd offer subscription-based access to a wide range of Pcb Wizard Tutorial 1 eBooks, including some popular titles.

FAQs About Pcb Wizard Tutorial 1 Books

How do I know which eBook platform is the best for me? Finding the best eBook platform depends on your reading preferences and device compatibility. Research different platforms, read user reviews, and explore their features before making a choice. Are free eBooks of good quality? Yes, many reputable platforms offer high-quality free eBooks, including classics and public domain works. However, make sure to verify the source to ensure the eBook credibility. Can I read eBooks without an eReader? Absolutely! Most eBook platforms offer webbased readers or mobile apps that allow you to read eBooks on your computer, tablet, or smartphone. How do I avoid digital eye strain while reading eBooks? To prevent digital eye strain, take regular breaks, adjust the font size and background color, and ensure proper lighting while reading eBooks. What the advantage of interactive eBooks? Interactive eBooks incorporate multimedia elements, quizzes, and activities, enhancing the reader engagement and providing a more immersive learning experience. Pcb Wizard Tutorial 1 is one of the best book in our library for free trial. We provide copy of Pcb Wizard Tutorial 1 in digital format, so the resources that you find are reliable. There are also many Ebooks of related with Pcb Wizard Tutorial 1. Where to download Pcb Wizard Tutorial 1 online for free? Are you looking for Pcb Wizard Tutorial 1 PDF? This is definitely going to save you time and cash in something you should think about. If you trying to find then search around for online. Without a doubt there are numerous these available and many of them have the freedom. However without doubt you receive whatever you purchase. An alternate way to get ideas is always to check another Pcb Wizard Tutorial 1. This method for see exactly what may be included and adopt these ideas to your book. This site will almost certainly help you save time and effort, money and stress. If you are looking for free books then you really should consider finding to assist you try this. Several of Pcb Wizard Tutorial 1 are for sale to free while some are payable. If you arent sure if the books you would like to download works with for usage along with your computer, it is possible to download free trials. The free guides make it easy for someone to free access online library for download books to your device. You can get free download on free trial for lots of books categories. Our library is the biggest of these that have literally hundreds of thousands of different products categories represented. You will also see that there are specific sites catered to different product types or categories, brands or niches related with Pcb Wizard Tutorial 1. So depending on what exactly you are searching, you will be able to choose e books to suit your own need. Need to access completely for Campbell Biology Seventh Edition book? Access Ebook without any digging. And by having access to our ebook online or by storing it on your computer, you have convenient answers with Pcb Wizard Tutorial 1 To get started finding Pcb Wizard Tutorial 1, you are right to find our website which has a comprehensive collection of books online. Our library is the biggest of these that have literally hundreds of thousands of different products represented. You will also see that there are specific sites catered to different categories or niches related with Pcb Wizard Tutorial 1 So depending on what exactly you are searching, you will be able to choose ebook to suit your own need. Thank you for reading Pcb Wizard

Tutorial 1. Maybe you have knowledge that, people have search numerous times for their favorite readings like this Pcb Wizard Tutorial 1, but end up in harmful downloads. Rather than reading a good book with a cup of coffee in the afternoon, instead they juggled with some harmful bugs inside their laptop. Pcb Wizard Tutorial 1 is available in our book collection and online access to it is set as public so you can download it instantly. Our digital library spans in multiple locations, allowing you to get the most less latency time to download any of our books like this one. Merely said, Pcb Wizard Tutorial 1 is universally compatible with any devices to read.

Find Pcb Wizard Tutorial 1 :

technical analysis of stock trends 8th edition

tastiera musicale pianoforte e pianola da suonare online

text book of engineering chemistry shashi chawla answer

technical drawing waec past questions and answers

target 3 billion pura innovative solutions towards sustainable development

tactics for toeic listening and reading test

tamil kamakathaikal new tamil sex stories

the book of knowledge keys enoch james j hurtak

syekh siti jenar makna kematian achmad chodjim

tata cara haji umrah dan hukum shalat

system wiring diagrams engine diagram

the american pit bull terrier handbook everything about purchase training grooming health and behavior by joe stahlkuppe

tally practical questions and answers pdf

the artists reality philosophies of art mark rothko

telugu girls mobile number

Pcb Wizard Tutorial 1 :

use case diagram for travel agency creately - Nov 09 2021

sequence diagram of tourist management system conceptdraw - Mar 14 2022

web use createely s easy online diagram editor to edit this diagram collaborate with others and export results to multiple image formats

tourism management system use case diagram freeprojectz - Aug 31 2023

web jul 24 2017 this use case diagram is a graphic depiction of the interactions among the elements of tourism management system it represents the methodology used in

chapter 4 system design design of travel management - Jul 18 2022

web how to draw class diagram for tourism project use case diagram for tourism management system erd entity relationship diagrams erd software for mac and

uml diagram for online tourism management system - Jul 30 2023

web use case diagram tourism management system assignments for programming languages 30 points download ahsanullah university of science technology

tourism management system uml diagram - Oct 21 2022

web jul 19 2021 cloud technology tourism management system incorporates cloud based back end web design that can achieve in storing large storehouses of data security the

tourism management system classic createely - Jan 12 2022

destination information management system for tourist arxiv org - Aug 19 2022

web oct 30 2022 diagrams and use case diagrams are also built for the tms in this study keywords uml tms class diagram activity diagram use case d iagram table of

uml use case diagrams uml use case diagram design - Sep 19 2022

web class diagram for tour management system with description sequence diagram for transport management system sequence diagram for pharmacy management

uml use case diagrams financial trade uml use case - Oct 09 2021

cloud based tourism management system analytics vidhya - Jun 16 2022

web sep 24 2016 dari use case diagram di atas dapat kita lihat terdapat tourists yang dalam sistem ini akan bertindak sebagai aktor yang nantinya akan berhubungan dengan site

tourism management system createely - Dec 11 2021

sequences diagram for tourism management system - May 16 2022

web tourism management system classic by saima khatri edit this template use creately s easy online diagram editor to edit this diagram collaborate with others and export

use case diagram for example of tourism agency web - Dec 23 2022

web aug 23 2010 uml was used to first design the proposed system the use case diagram and the class diagram are presented below the use case model captures the

travel and tourism management system uml diagram classic - Apr 26 2023

web the result presented is a causal loop diagram composed of seven units in dynamic interaction tourists natural and cultural resources attractions attractiveness

tourism management system creately - Mar 26 2023

web download scientific diagram use case diagram for example of tourism agency web application software project from publication duration estimation of template

system dynamics framework for tourism development management - Jan 24 2023

web conceptdraw has several examples that help you to start using software for designing uml use case diagrams use case diagram for tourism management system

travel reservation use case diagram example - May 28 2023

web this keyword describes a tourism management system and its use in software development a tourism management system is a software application designed to

use case diagram online tourism management system docsity - Nov 21 2022

web travel management system designed the uml system requirements model consisting of the system requirements statement text system collaboration diagram showing

travel managementt system using object - Apr 14 2022

web state chart diagram uml story board swot diagram t chart tqm total quality management ui mockups use case diagram uml value stream mapping venn

pdf tourism management system researchgate - Feb 22 2023

web tourism management system design and implementation of an online real time parcel tracking and monitoring system a case study of

use case diagram pada suatu sistem manajemen informasi - Feb 10 2022

web there are used dependency and use case generalization associations on this uml diagram use case generalization is used when you have two similar use cases but

use case diagram tourism management system docsity - Jun 28 2023

web template types travel and tourism management system uml diagram classic by annas tariq edit this template use
creately s easy online diagram editor to edit this diagram

express publishing photocopiable module 7 pdf uniport edu - Jul 02 2022

web express publishing photocopiable module 7 2 6 downloaded from uniport edu ng on march 20 2023 by guest tactical
strategies for faculty to consider is a welcome work i will recommend this book to all my colleagues catherine m casserly
senior partner the carnegie foundation for the advancement of

express publishing photocopiable module 7 pdf 2023 black ortax - Jun 13 2023

web express publishing photocopiable module 7 pdf introduction express publishing photocopiable module 7 pdf 2023
handbook on constructing composite indicators methodology and user guide

express publishing photocopiable module 7 pdf free - Mar 10 2023

web express publishing photocopiable module 7 pdf introduction express publishing photocopiable module 7 pdf free

express publishing photocopiable module 7 bespoke cityam - Dec 27 2021

web express publishing photocopiable module 7 but end up in harmful downloads it will exceedingly ease you to see guide

express publishing photocopiable module 7 as you such as

flash klasy 4 8 katalog państwowe szkoły podstawowe egis - Sep 04 2022

web flash efektywnie wspiera uczniów w osiągnięciu coraz wyższego stopnia poprawności językowej i stopniowo przygotowuje
ich do egzaminu ósmoklasisty poprzez dogłębną realizację ogólnych i szczegółowych wymagań podstawy programowej oraz
dodatkowe zadania egzaminacyjne od klasy 7

xe847 photoshop plugin free download and software reviews cnet download - Feb 26 2022

web by xe8472 the xe847 plugin for photoshop offers full automatic optimization of digital images especially fog and
unwanted color tints caused by ambient light will be filtered effectively colors

express publishing photocopiable module 7 2023 - Apr 11 2023

web profound transformations is nothing short of extraordinary within the captivating pages of express publishing
photocopiable module 7 a literary masterpiece penned by a renowned author readers embark on a transformative journey
unlocking the secrets and untapped potential embedded within each word

spark 4 int ss portf content spark 4 int ss portf content 31 08 2011 7 - May 12 2023

web 4 express publishing photocopiable language biography all about me name date of birth age place of birth i am in my
year of english my english teacher s name read and put a tick or a cross

express publishing photocopiable module 7 wrbb neu - Jan 28 2022

web express publishing photocopiable module 7 1 express publishing photocopiable module 7 this is likewise one of the

factors by obtaining the soft documents of this express publishing photocopiable module 7 by online you might not require more grow old to spend to go to the books foundation as capably as search for them

module 3 module 4 express publishing - Aug 03 2022

web when you really want sth to happen 2 live not move 3 being part of sth larger

express publishing photocopiable module 7 secure4 khronos - Jan 08 2023

web jun 15 2023 express publishing photocopiable module 7 is at hand in our publication gathering an online access to it is set as public so you can get it instantly by exploring the title publisher or authors of instruction you in in reality want you can find them rapidly you cannot be perplexed to enjoy every book compilations express publishing

00 spark3 int ss portfolio contents 00 spark3 int express publishing - Jul 14 2023

web 4 express publishing photocopiable language biography all about me name date of birth age place of birth i am in my year of english my english teacher s name read and put a tick or a cross

prime time trp mod 2 pre zsprzemkow pl - Feb 09 2023

web express publishing photocopiable 5 matura prime time plus pre intermediate module 2 j underline the correct word

express publishing photocopiable module 7 banpaen - Jun 01 2022

web jun 4 2023 express publishing photocopiable module 7 books that will find the money for you worth receive the absolutely best seller from us presently from various selected authors when folks should go to the digital bookshops discover onset by shop section by

00 spark2 int ss portfolio contents spark2 int ss portflio - Dec 07 2022

web 4 express publishing photocopiable language biography all about me name date of birth age place of birth i am in my year of english my english teacher s name read and put a tick or a cross

express publishing photocopiable module 7 - Oct 05 2022

web express publishing photocopiable module 7 right here we have countless ebook express publishing photocopiable module 7 and collections to check out we additionally give variant types and also type of the books to browse the standard book fiction history novel scientific research as capably as various new sorts of books are readily

express publishing photocopiable module 7 - Apr 30 2022

web fictions to scientific research in any way along with them is this express publishing photocopiable module 7 that can be your partner express publishing photocopiable module 7 2019 11 06 giovanny jovani messages 3 teacher s resource pack learning express ny this book is written in a cookbook style targeted towards an advanced

express publishing photocopiable module 5 pdf uniport edu - Mar 30 2022

web express publishing photocopiable module 5 2 6 downloaded from uniport edu ng on august 7 2023 by guest survey talis

it provides quantitative policy relevant information on the teaching and learning environment in schools in 23 countries spark
2 virginia evans 2010 psychology 2e rose m spielman 2020 04 22 the images in this version are in

prime time trp mod 4 pre zsprzemkow pl - Nov 06 2022

web express publishing photocopyable 5 matura prime time plus pre intermediate module 4 h underline the correct word
home express publishing - Aug 15 2023

web express publishing is a highly respected publisher that continuously raises the standards of english language teaching
learning buy elt books material free shipping on orders over 60

foundations of digital logic design kandel - Sep 22 2021

foundations of digital logic design 9789813105102 vitalsource - Oct 04 2022

web providing the material for a first course in digital logic design for electrical engineering computer engineering and
computer science programs this book is intended for use for

foundations of digital logic design by abraham kandel is - Nov 05 2022

web foundations of digital logic design is written by abraham kandel gideon langholz joe l mott and published by wspc the
digital and etextbook isbns for foundations of

foundations of digital logic design google books - Aug 14 2023

web foundations of digital logic design gideon langholz abraham kandel joe l mott google books this text is intended for a
first course in digital logic design at the

foundations of digital logic design kandel 2022 - Oct 24 2021

web kandel and numerous book collections from fictions to scientific research in any way among them is this foundations of
digital logic design kandel that can be your

foundations of digital logic design world scientific - Feb 08 2023

web buy foundations of digital logic design by abraham kandel gideon langholz joe l mott online at alibris we have new and
used copies available in 1 editions starting at

foundations of digital logic design kandel dotnbm - Dec 26 2021

web physics and mathematics foundations of digital logic design by a kandelthis text is intended for a first course in digital
logic design at the sophomore or junior level for

foundations of digital logic design kandel download only - Nov 24 2021

web digital logic design epub foundations of digital logic design this text is intended for a first course in digital logic design
at the sophomore or junior level for electrical

foundations of digital logic design semantic scholar - May 11 2023

web aug 11 1998 foundations of digital logic design g langholz a kandel j l mott published 11 august 1998 computer science mathematics introduction to digital

digital logic design cambridge university press - Jan 27 2022

web fundamentals of digital logic with vhdl design teaches the basic design techniques for logic circuits it emphasizes the synthesis of circuits and explains how circuits are

foundations of digital logic design overdrive - Dec 06 2022

web this text is intended for a first course in digital logic design at the sophomore or junior level for electrical engineering computer engineering and computer science programs

foundations of digital logic design open library - Apr 10 2023

web foundations of digital logic design by gideon langholz joe l mott abraham kandel november 1998 world scientific pub co inc wspc edition hardcover in english

foundations of digital logic design perlego - Aug 02 2022

web buy foundations of digital logic design by abraham kandel gideon langholz joe l mott online at alibris we have new and used copies available in 1 editions starting at

formats and editions of foundation of digital logic design - May 31 2022

web this text is intended for a first course in digital logic design at the sophomore or junior level for electrical engineering computer engineering and computer science programs

pdf foundations of digital logic design by gideon langholz - Mar 29 2022

web start reading foundations of digital logic design online and get access to an unlimited media of academic real non fiction choose on perlego foundations by digital logic

foundations of digital logic design bookshop - Mar 09 2023

web aug 25 1998 description this text is intended for a first course in digital logic design at the sophomore or junior level for electrical engineering computer engineering and

foundations of digital logic design kandel abraham - Sep 03 2022

web langholz gideon and abraham kandel joe mott 1998 1998 foundations of digital logic design edition unavailable world scientific publishing company

foundations of digital logic design alibris - Jan 07 2023

web aug 11 1998 this text is intended for a first course in digital logic design at the sophomore or junior level for electrical engineering computer engineering and computer

foundations of digital logic design alibris - Jul 01 2022

web showing all editions for foundation of digital logic design sort by format all formats 12 book 1 print book 11 ebook 1
refine your search year 2000 3 1998 9

foundations of digital logic design google play - Jun 12 2023

web foundations of digital logic design ebook written by abraham kandel gideon langholz joe l mott read this book using
google play books app on your pc

foundations of digital logic design hardcover abebooks - Apr 29 2022

web this text is intended for a first take in digital logic design under the sophomore or junior level for electrical engineering
computer engineering and computer science programs

pdf foundations of digital logic design by gideon langholz - Feb 25 2022

web foundations of combinational circuits 145 11 1 combinational gates an analog approach 145 11 2 back to the digital
world 147 11 3 combinational gates 149 11 4

foundations of digital logic design abraham kandel gideon - Jul 13 2023

web aug 11 1998 foundations of digital logic design this text is intended for a first course in digital logic design at the
sophomore or junior level for electrical engineering