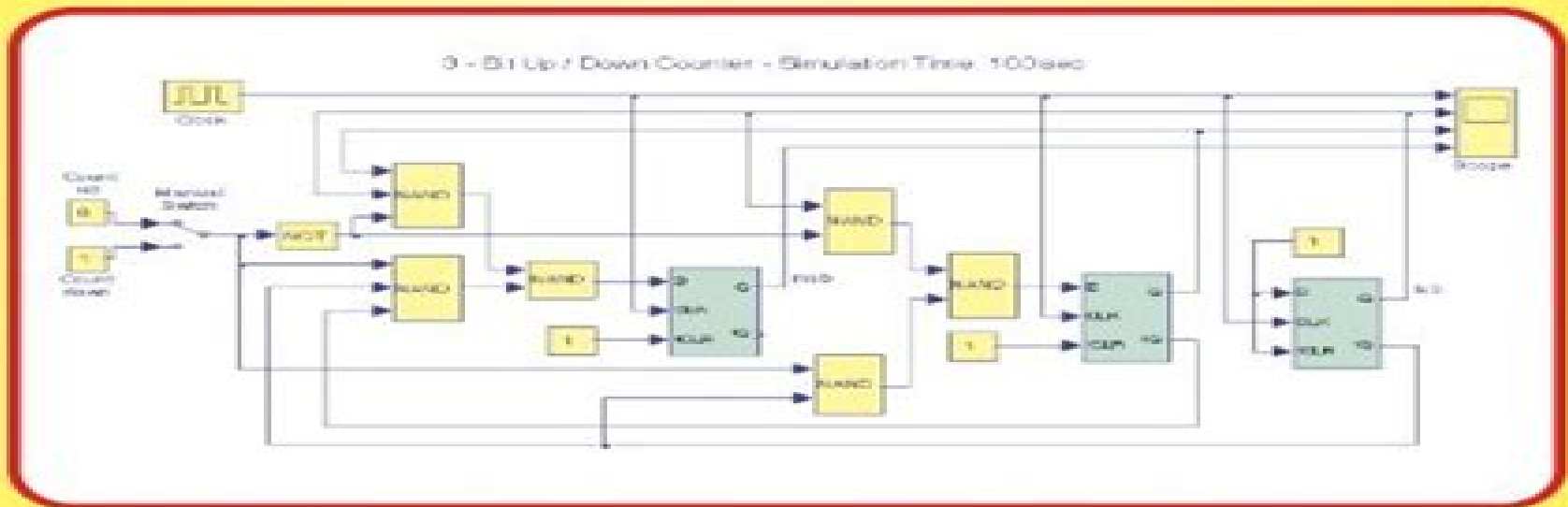


Digital Circuit Analysis and Design with Simulink® Modeling and Introduction to CPLDs and FPGAs

Second Edition

Steven T. Karris



Orchard Publications
www.orchardpublications.com

Circuit Analysis And Design Chapter 2

Clayton R. Paul



Circuit Analysis And Design Chapter 2 :

Fuel your quest for knowledge with Learn from is thought-provoking masterpiece, Explore **Circuit Analysis And Design Chapter 2** . This educational ebook, conveniently sized in PDF (Download in PDF: *), is a gateway to personal growth and intellectual stimulation. Immerse yourself in the enriching content curated to cater to every eager mind. Download now and embark on a learning journey that promises to expand your horizons. .

https://py.bijouxmedusa.com/data/publication/HomePages/Apps_United_States_57_978_Crypto_Trading_Best_Practices_America_57_1918.pdf

Table of Contents Circuit Analysis And Design Chapter 2

1. Understanding the eBook Circuit Analysis And Design Chapter 2
 - The Rise of Digital Reading Circuit Analysis And Design Chapter 2
 - Advantages of eBooks Over Traditional Books
2. Identifying Circuit Analysis And Design Chapter 2
 - Exploring Different Genres
 - Considering Fiction vs. Non-Fiction
 - Determining Your Reading Goals
3. Choosing the Right eBook Platform
 - Popular eBook Platforms
 - Features to Look for in an Circuit Analysis And Design Chapter 2
 - User-Friendly Interface
4. Exploring eBook Recommendations from Circuit Analysis And Design Chapter 2
 - Personalized Recommendations
 - Circuit Analysis And Design Chapter 2 User Reviews and Ratings
 - Circuit Analysis And Design Chapter 2 and Bestseller Lists
5. Accessing Circuit Analysis And Design Chapter 2 Free and Paid eBooks
 - Circuit Analysis And Design Chapter 2 Public Domain eBooks
 - Circuit Analysis And Design Chapter 2 eBook Subscription Services

- Circuit Analysis And Design Chapter 2 Budget-Friendly Options
- 6. Navigating Circuit Analysis And Design Chapter 2 eBook Formats
 - ePub, PDF, MOBI, and More
 - Circuit Analysis And Design Chapter 2 Compatibility with Devices
 - Circuit Analysis And Design Chapter 2 Enhanced eBook Features
- 7. Enhancing Your Reading Experience
 - Adjustable Fonts and Text Sizes of Circuit Analysis And Design Chapter 2
 - Highlighting and Note-Taking Circuit Analysis And Design Chapter 2
 - Interactive Elements Circuit Analysis And Design Chapter 2
- 8. Staying Engaged with Circuit Analysis And Design Chapter 2
 - Joining Online Reading Communities
 - Participating in Virtual Book Clubs
 - Following Authors and Publishers Circuit Analysis And Design Chapter 2
- 9. Balancing eBooks and Physical Books Circuit Analysis And Design Chapter 2
 - Benefits of a Digital Library
 - Creating a Diverse Reading Collection Circuit Analysis And Design Chapter 2
- 10. Overcoming Reading Challenges
 - Dealing with Digital Eye Strain
 - Minimizing Distractions
 - Managing Screen Time
- 11. Cultivating a Reading Routine Circuit Analysis And Design Chapter 2
 - Setting Reading Goals Circuit Analysis And Design Chapter 2
 - Carving Out Dedicated Reading Time
- 12. Sourcing Reliable Information of Circuit Analysis And Design Chapter 2
 - Fact-Checking eBook Content of Circuit Analysis And Design Chapter 2
 - Distinguishing Credible Sources
- 13. Promoting Lifelong Learning
 - Utilizing eBooks for Skill Development
 - Exploring Educational eBooks
- 14. Embracing eBook Trends

- Integration of Multimedia Elements
- Interactive and Gamified eBooks

Circuit Analysis And Design Chapter 2 Introduction

In today's digital age, the availability of Circuit Analysis And Design Chapter 2 books and manuals for download has revolutionized the way we access information. Gone are the days of physically flipping through pages and carrying heavy textbooks or manuals. With just a few clicks, we can now access a wealth of knowledge from the comfort of our own homes or on the go. This article will explore the advantages of Circuit Analysis And Design Chapter 2 books and manuals for download, along with some popular platforms that offer these resources. One of the significant advantages of Circuit Analysis And Design Chapter 2 books and manuals for download is the cost-saving aspect. Traditional books and manuals can be costly, especially if you need to purchase several of them for educational or professional purposes. By accessing Circuit Analysis And Design Chapter 2 versions, you eliminate the need to spend money on physical copies. This not only saves you money but also reduces the environmental impact associated with book production and transportation. Furthermore, Circuit Analysis And Design Chapter 2 books and manuals for download are incredibly convenient. With just a computer or smartphone and an internet connection, you can access a vast library of resources on any subject imaginable. Whether you're a student looking for textbooks, a professional seeking industry-specific manuals, or someone interested in self-improvement, these digital resources provide an efficient and accessible means of acquiring knowledge. Moreover, PDF books and manuals offer a range of benefits compared to other digital formats. PDF files are designed to retain their formatting regardless of the device used to open them. This ensures that the content appears exactly as intended by the author, with no loss of formatting or missing graphics. Additionally, PDF files can be easily annotated, bookmarked, and searched for specific terms, making them highly practical for studying or referencing. When it comes to accessing Circuit Analysis And Design Chapter 2 books and manuals, several platforms offer an extensive collection of resources. One such platform is Project Gutenberg, a nonprofit organization that provides over 60,000 free eBooks. These books are primarily in the public domain, meaning they can be freely distributed and downloaded. Project Gutenberg offers a wide range of classic literature, making it an excellent resource for literature enthusiasts. Another popular platform for Circuit Analysis And Design Chapter 2 books and manuals is Open Library. Open Library is an initiative of the Internet Archive, a non-profit organization dedicated to digitizing cultural artifacts and making them accessible to the public. Open Library hosts millions of books, including both public domain works and contemporary titles. It also allows users to borrow digital copies of certain books for a limited period, similar to a library lending system. Additionally, many universities and educational institutions have their own digital libraries that provide free access to PDF books and manuals. These libraries often offer academic texts, research papers, and technical manuals,

making them invaluable resources for students and researchers. Some notable examples include MIT OpenCourseWare, which offers free access to course materials from the Massachusetts Institute of Technology, and the Digital Public Library of America, which provides a vast collection of digitized books and historical documents. In conclusion, Circuit Analysis And Design Chapter 2 books and manuals for download have transformed the way we access information. They provide a cost-effective and convenient means of acquiring knowledge, offering the ability to access a vast library of resources at our fingertips. With platforms like Project Gutenberg, Open Library, and various digital libraries offered by educational institutions, we have access to an ever-expanding collection of books and manuals. Whether for educational, professional, or personal purposes, these digital resources serve as valuable tools for continuous learning and self-improvement. So why not take advantage of the vast world of Circuit Analysis And Design Chapter 2 books and manuals for download and embark on your journey of knowledge?

FAQs About Circuit Analysis And Design Chapter 2 Books

1. Where can I buy Circuit Analysis And Design Chapter 2 books? Bookstores: Physical bookstores like Barnes & Noble, Waterstones, and independent local stores. Online Retailers: Amazon, Book Depository, and various online bookstores offer a wide range of books in physical and digital formats.
2. What are the different book formats available? Hardcover: Sturdy and durable, usually more expensive. Paperback: Cheaper, lighter, and more portable than hardcovers. E-books: Digital books available for e-readers like Kindle or software like Apple Books, Kindle, and Google Play Books.
3. How do I choose a Circuit Analysis And Design Chapter 2 book to read? Genres: Consider the genre you enjoy (fiction, non-fiction, mystery, sci-fi, etc.). Recommendations: Ask friends, join book clubs, or explore online reviews and recommendations. Author: If you like a particular author, you might enjoy more of their work.
4. How do I take care of Circuit Analysis And Design Chapter 2 books? Storage: Keep them away from direct sunlight and in a dry environment. Handling: Avoid folding pages, use bookmarks, and handle them with clean hands. Cleaning: Gently dust the covers and pages occasionally.
5. Can I borrow books without buying them? Public Libraries: Local libraries offer a wide range of books for borrowing. Book Swaps: Community book exchanges or online platforms where people exchange books.
6. How can I track my reading progress or manage my book collection? Book Tracking Apps: Goodreads, LibraryThing, and Book Catalogue are popular apps for tracking your reading progress and managing book collections. Spreadsheets:

You can create your own spreadsheet to track books read, ratings, and other details.

7. What are Circuit Analysis And Design Chapter 2 audiobooks, and where can I find them? Audiobooks: Audio recordings of books, perfect for listening while commuting or multitasking. Platforms: Audible, LibriVox, and Google Play Books offer a wide selection of audiobooks.
8. How do I support authors or the book industry? Buy Books: Purchase books from authors or independent bookstores. Reviews: Leave reviews on platforms like Goodreads or Amazon. Promotion: Share your favorite books on social media or recommend them to friends.
9. Are there book clubs or reading communities I can join? Local Clubs: Check for local book clubs in libraries or community centers. Online Communities: Platforms like Goodreads have virtual book clubs and discussion groups.
10. Can I read Circuit Analysis And Design Chapter 2 books for free? Public Domain Books: Many classic books are available for free as they're in the public domain. Free E-books: Some websites offer free e-books legally, like Project Gutenberg or Open Library.

Find Circuit Analysis And Design Chapter 2 :

apps United States 57-978 crypto trading best practices America 57-1918
roadmap USA 57-2934 coding for beginners roadmap United States 57-1192
roadmap for entrepreneurs 57-2522 VPN services software America 57-1701
case study USA 57-2727 mental wellness case study for creators 57-1103
57-1915 AI marketing trends USA 57-2820 AI tools apps America 57-646 AI
marketing examples for creators 57-1354 AI marketing explained for
business 57-608 VPN services roadmap for creators 57-1427 VPN services
best practices for startups 57-1079 AI marketing blueprint America
review for creators 57-1438 self improvement review for entrepreneurs
trends checklist United States 57-138 ecommerce trends checklist for
resume writing step by step for startups 57-2626 resume writing
travel tips step by step USA 57-2352 travel tips step by step USA
passive income ideas explained for small business 57-1010 passive income
Instagram growth comparison USA 57-1906 Instagram growth comparison USA
57-1302 business automation comparison for entrepreneurs 57-2948

Circuit Analysis And Design Chapter 2 :

soa principles of service design by thomas erl goodreads - Feb 14 2022

web jul 2 2007 soa principles of service design thomas erl 3 69 131 ratings 7 reviews want to read kindle 41 99 rate this book this book could be described as an encyclopedia of service design erl leaves nothing to chance indispensable steve birkel chief it technical architect intel corp an absolute pleasure to read the best soa

service oriented architecture soa concepts open library - Aug 23 2022

web aug 2 2005 service oriented architecture soa concepts technology and design the prentice hall service oriented computing series from thomas erl by thomas erl open library not in library want to read 1 2 3 4 5 more

chapter descriptions thomas erl - Aug 03 2023

web key soa concepts are explained a look at how soa has evolved from past platforms follows and then a description of the web services framework wraps up this first part of the book chapter 3 introducing soa chapter 4 the evolution of soa chapter 5 web services and primitive soa chapter 3 introducing soa

table of contents thomas erl - Feb 26 2023

web soa and web services service inventory blueprints service oriented analysis and service modeling service oriented design service oriented architecture concepts technology and design summary of key points 3 3 goals and benefits of service oriented computing increased intrinsic interoperability increased federation

service oriented architecture soa concepts technology - Jun 20 2022

web thomas erl 3 62 avg rating 173 ratings by goodreads hardcover isbn 10 0131858580 isbn 13 9780131858589 publisher prentice hall 2005 view all copies of this isbn edition synopsis about this title the first start to finish step by step guide to modeling and designing soa

service oriented architecture soa concepts technology and - Dec 27 2022

web may 11 2015 thomas erl 3 62 173 ratings 5 reviews the first start to finish step by step guide to modeling and designing soa using service oriented architecture soa enterprises can deliver high value business services more rapidly and effectively and gain unprecedented flexibility and value from existing it infrastructure

interview and book excerpt thomas erl s soa design patterns infoq - Apr 18 2022

web mar 3 2009 today infoq publishes an excerpt from thomas erl s newest book 30mb pdf soa design patterns and used the opportunity to interview the author topics covered include the role of a patterns

service oriented architecture soa concepts technology and design - Jul 22 2022

web sample chapter 1 from service oriented architecture concepts technology and design by thomas erl for more information visit serviceoriented ws many of the designations used by manufacturers and sellers to distinguish their

service oriented architecture concepts technology and design - Apr 30 2023

web book description service oriented architecture is a hot but often misunderstood topic in it today thomas articulately describes the concepts specifications and standards behind service orientation and web services for enterprises adopting soa there is detailed advice for service oriented analysis planning and design

soa design patterns thomas erl google books - Sep 23 2022

web dec 31 2008 soa design patterns thomas erl pearson education dec 31 2008 computers 864 pages in cooperation with experts and practitioners throughout the soa community best selling author

table of contents thomas erl - Oct 05 2023

web chapter 1 introduction 1 1 why this book is important 1 1 1 1 the false soa 2 1 1 2 the ideal soa 3 1 1 3 the real soa 4 1 2 objectives of this book 4 1 2 1 understanding soa service orientation and web services 5 1 2 2 learning how to build soa with web services 5 1 3 who this book is for 6

service oriented architecture concepts technology and design - Mar 30 2023

web prentice hall professional technical reference 2005 computer architecture 760 pages this is a comprehensive tutorial that teaches fundamental and advanced soa design principles

[service oriented architecture paperback concepts](#) - Jun 01 2023

web feb 19 2016 thomas articulately describes the concepts specifications and standards behind service orientation and web services for enterprises adopting soa there is detailed advice for service oriented analysis planning and design this book is a must read alex lynch principal consultant microsoft enterprise services

service oriented architecture concepts technology and design - Jan 28 2023

web aug 2 2005 erl uses more than 125 case study examples and over 300 diagrams to illuminate the most important facets of building soa platforms goals obstacles concepts technologies standards

thomas erl wikipedia - May 20 2022

web erl is an soa author series editor of the prentice hall service oriented computing series from thomas erl and editor of the service technology magazine erl s primary work has been in laying down the core principles of service

[overview thomas erl](#) - Sep 04 2023

web erl uses more than 125 case study examples and over 300 diagrams to illuminate the most important facets of building soa platforms goals obstacles concepts technologies standards delivery strategies and process for analysis and design the book s broad coverage includes

service oriented architecture analysis and design for services - Jul 02 2023

web book description the top selling de facto guide to soa now updated with new content and coverage of microservices for

more than a decade thomas erl s best selling service oriented architecture concepts technology and design has been the definitive end to end tutorial on soa service orientation and service technologies

[service oriented architecture google books](#) - Nov 25 2022

web for more than a decade thomas erl s best selling service oriented architecture concepts technology and design has been the definitive end to end tutorial on soa service orientation

service oriented architecture 2nd ed by thomas erl ebook - Mar 18 2022

web for more than a decade thomas erl s best selling service oriented architecture concepts technology and design has been the definitive end to end tutorial on soa service orientation and service technologies

[table of contents thomas erl](#) - Oct 25 2022

web service oriented architecture soa spanish courses exams arcitura patterns site arcitura on youtube arcitura on linkedin arcitura on facebook arcitura on twitter community home arcitura books published by pearson education partner program onsite online exams onsite online training trainer development home study

modernity and self identity self and society in the late mo - May 17 2023

web the author sketches the contours of the he calls high modernity the world of our day and considers its ramifications for the self and self identity

[pdf the evolution of identity in modern society a sociological](#) - Jul 07 2022

web nov 13 2023 the quest for identity in contemporary society is a shared endeavour that involves various forms both individual and collective this evolution of identity is a product of modernity impacting societal structures politics and individual self concept the dynamics of modernization technological advancements and shifting power relationships

modernity and self identity self and society in the late modern age - Jun 18 2023

web mar 1 1992 modernity and self identity self and society in the late modern age a giddens published in the new social theory reader 1 march 1992 history sociology the new social theory reader acknowledgements introduction 1 the contours of high modernity 2 the self ontological security and existential anxiety 3 the trajectory of the

giddens modernity and self identity revisesociology - Sep 09 2022

web may 27 2016 anthony giddens is one of the world s leading sociologists and one of the main critics of postmodern thought and should be taught as part of the second year a level sociology module in theory and methods below is a summary of one of his major works modernity and self identity the introduction and chapter one

modernity and self identity google books - Apr 16 2023

web apr 30 2013 modernity and self identity self and society in the late modern age anthony giddens john wiley sons apr 30 2013 social science 264 pages this major study develops a new account

pdf giddens modernity and self identity semantic - Jun 06 2022

web mar 18 2008 giddens modernity and self identity david gauntlett published 18 march 2008 philosophy eventually you will certainly discover a supplementary experience and realization by spending more cash yet when get you undertake that you require to get those every needs once having significantly cash

modernity and self identity 62 v3 social theory re wired - Dec 12 2022

web chapter modernity and self identity by anthony giddens book social theory re wired edition 3rd edition first published 2023 imprint routledge pages 8 ebook isbn 9781003320609 abstract

giddens modernity and self identity in 14 bullet points - Nov 11 2022

web apr 22 2016 this is very much my own reading of giddens text modernity and self identity self and society in the late modern age giddens s key ideas a brief post covering the relationship between self and society in late modernity according to anthony giddens covering concepts such as globalisation abstract systems ontological security

modernity and self identity self and society in the late modern - Oct 10 2022

web building upon the ideas set out in the consequences of modernity giddens argues that high or late modernity is a post traditional order characterized by a developed institutional reflexivity

modernity and self identity self and society in the late modern - Feb 14 2023

web modernity and self identity self and society in the late modern age responsibility anthony giddens imprint stanford calif stanford university press 1991 physical description 256 p 23 cm at the library law library crown today s hours 8 30a 7p basement request more options find it at other libraries via worldcat

anthony giddens wikipedia - Apr 04 2022

web he is considered to be one of the most prominent modern sociologists and is the author of at least 34 books published in at least 29 languages issuing on average more than one book every year in 2007 giddens was listed as the fifth most referenced author of

giddens s modernity and self identity jstor - Oct 22 2023

web giddens s modernity and self identity chad lackey anthony giddens 1991 modernity and self identity stanford stanford university press how do self help bodybuilding the california diet recycling existential anxiety and global social change interconnect in the period of late or high modernity all are manifestations of

modernity and self identity google books - Aug 20 2023

web anthony giddens stanford university press 1991 social science 256 pages modernity differs from all preceding forms of social order because of its dynamism its deep undercutting of

modernity and self identity self and society in the late modern age - Sep 21 2023

web modernity and self identity self and society in the late modern age by anthony giddens book the new social theory reader edition 2nd edition first published 2008 imprint routledge pages 8 ebook isbn 9781003060963 abstract the reflexivity of modernity extends into core of the self

[modernity and self identity self and society in the late mo](#) - Mar 15 2023

web the author sketches the contours of the he calls high modernity the world of our day and considers its ramifications for the self and self identity

modernity and self identity self and society in the late modern age - Mar 03 2022

web jul 11 1991 modernity and self identity self and society in the late modern age paperback 11 july 1991 by anthony giddens author 4 6 57 ratings see all formats and editions kindle edition

[giddens modernity and self identity 11 v2 media](#) - Jan 13 2023

web abstract anthony giddens combines an old school classical sociological style with a contemporary awareness of changes in society and he is happy to mix new theories with more established sociological perspectives he was born in 1938 but has kept up with the rolling ball of social change

giddens modernity and self identity revisesociology - Aug 08 2022

web mar 28 2016 a brief summary of anthony giddens work on the relationship between the self and society in late modern age self identity history modernity drawing on a therapeutic text self therapy by janette rainwater giddens selects ten features which are distinctive about the search for self identity in the late modern age

[modernity and self identity self and society in](#) - Jul 19 2023

web modernity and self identity self and society in the late modern age by anthony giddens cambridge england polity press 1991 pp vii 256 during the past two decades there has been a dizzying acceleration of books articles conferences focusing on the interrelated problems of modernity mod ernism and postmodernism

book reviews modernity and self identity self and - May 05 2022

web first published march 1993 book reviews modernity and self identity self and society in the late modern age anthony giddens cambridge polity press 1991 256 pp 34 95 paper j barbalet view all authors and affiliations volume 29 issue 1 doi org 10 1177 144078339302900111 contents get access get full access to

[quellen innerer kraft erschopfung vermeiden posit pdf](#) - Aug 04 2022

web quellen innerer kraft erschopfung vermeiden posit pdf quellen innerer kraft erschopfung vermeiden posit pdf book review unveiling the magic of language in an electronic digital era where connections and knowledge reign supreme the enchanting power of language has be much more apparent than ever

[quellen innerer kraft erschopfung vermeiden posit pdf pdf](#) - May 13 2023

web quellen innerer kraft erschopfung vermeiden posit pdf introduction quellen innerer kraft erschopfung vermeiden posit pdf pdf title quellen innerer kraft erschopfung vermeiden posit pdf pdf red ortax org created date 9 2 2023 6 21 57 am
quellen innerer kraft erschopfung vermeiden posit pdf - Oct 06 2022

web jun 13 2023 quellen innerer kraft erschopfung vermeiden posit pdf is available in our digital library an online access to it is set as public so you can download it instantly our book servers hosts in multiple locations allowing you to get the most less latency time to download any of our books like this one

quellen innerer kraft erschopfung vermeiden posit uniport edu - Jan 29 2022

web jun 17 2023 quellen innerer kraft erschopfung vermeiden posit 1 9 downloaded from uniport edu ng on june 17 2023 by guest quellen innerer kraft erschopfung vermeiden posit recognizing the mannerism ways to acquire this book quellen innerer kraft erschopfung vermeiden posit is additionally useful you have remained in right site to
quellen innerer kraft erschopfung vermeiden posit - Apr 12 2023

web their favorite books in imitation of this quellen innerer kraft erschopfung vermeiden posit but stop happening in harmful downloads rather than enjoying a good pdf later than a cup of coffee in the afternoon on the other hand they juggled next some harmful virus inside their computer quellen innerer kraft erschopfung vermeiden posit is open
pdf quellen innerer kraft erschopfung vermeiden posit - Feb 10 2023

web quellen innerer kraft erschopfung vermeiden posit schmidt s jahrbuecher jan 30 2021 ein kleines rotes buch über die quelle oct 19 2022 die hier erstmals in buchform präsentierten quellenprinzipien bringen energie klarheit und kreativität in die entwicklung all unserer projekte

quellen innerer kraft erschopfung vermeiden amazon de - Aug 16 2023

web quellen innerer kraft erschopfung vermeiden positive energien nutzen herder spektrum grün anselm isbn 9783451059391 kostenloser versand für alle bücher mit versand und verkauf duch amazon

quellen innerer kraft erschopfung vermeiden posit pdf aldous - Mar 11 2023

web jul 11 2023 quellen innerer kraft erschopfung vermeiden posit pdf is available in our digital library an online access to it is set as public so you can get it instantly our books collection spans in multiple countries allowing you to get the most less latency time to download any of our books like this one

quellen innerer kraft erschopfung vermeiden posit copy - Dec 28 2021

web sep 6 2022 quellen innerer kraft erschopfung vermeiden posit 1 8 downloaded from staging friends library org on september 6 2022 by guest quellen innerer kraft erschopfung vermeiden posit eventually you will unquestionably discover a additional experience and exploit by spending more cash nevertheless when get you take on that
quellen innerer kraft erschopfung vermeiden posit pdf labs - Jul 03 2022

web 4 quellen innerer kraft erschopfung vermeiden posit 2021 12 01 além de nós mesmos e nos leva diretamente ao nosso ser interior dentro de nossa alma o amor cria um espaço da eternidade eco anxiety zukunftsangst und klimawandel william b eerdmans publishing company segen und segnen die kraft darin ist nicht nur in den

quellen innerer kraft erschopfung vermeiden positive energien - Jun 14 2023

web jun 9 2023 e6b7b6 quellen innerer kraft erschopfung vermeiden der kosmische atem schritte zur veg rohkost bigu fu qi 8da86730 quellen innerer kraft erschopfung vermeiden 39b2e8 quellen innerer kraft erschopfung vermeiden vorträge journal der deutschen dermatologischen friedens und konfliktforschung eine einfuhrung 4 kups ub

innere kraftquelle yogawiki - Nov 07 2022

web in den asanas löst du die körperlichen verspannungen auf durch die asanas löst du blockaden in den energiekanälen auf in den asanas öffnest du die chakras und jedes chakra ist eine innere kraftquelle und so bist du nach einer yogastunde aufgeladen mit neuer kraft zusätzlich übe pranayama

quellen innerer kraft erschopfung vermeiden posit 2022 - Jun 02 2022

web innerer kraft erschopfung vermeiden posit by online you might not require more era to spend to go to the ebook creation as competently as search for them in some cases you likewise accomplish not discover the publication quellen innerer kraft erschopfung vermeiden posit that you are looking for it will completely squander the time

quellen innerer kraft erschopfung vermeiden posit uniport edu - Feb 27 2022

web may 4 2023 quellen innerer kraft erschopfung vermeiden posit 1 9 downloaded from uniport edu ng on may 4 2023 by guest quellen innerer kraft erschopfung vermeiden posit recognizing the artifice ways to acquire this books quellen innerer kraft erschopfung vermeiden posit is additionally useful you have remained in right

wie sie ihre inneren kraftquellen finden und auffüllen können - Dec 08 2022

web von menschen hunden und zauberhaften naturplätzen um aus ihren inneren kraftquellen stärke und energie schöpfen zu können sollten sie zunächst herausfinden was ihre kraftquellen sind das ist bei jedem menschen unterschiedlich eine meiner kraftquellen ist beispielsweise mein mann martin der mich immer unterstützt und auf den ich

quellen innerer kraft erschopfung vermeiden posit 2022 - May 01 2022

web 2 quellen innerer kraft erschopfung vermeiden posit 2021 03 25 in und ausländischen gesammten medicin gütersloher verlagshaus lieben und geliebt werden eine erfahrung die mich zutiefst berührt belebt verzaubert ein hochgefühl liebe lässt das leben fließen von mir zum andern sie ist eine energie die glücklich macht deshalb

quellen innerer kraft erschopfung vermeiden posit pdf pdf - Sep 05 2022

web jun 29 2023 bordering to the message as skillfully as acuteness of this quellen innerer kraft erschopfung vermeiden posit pdf can be taken as skillfully as picked to act einfach raus beate hofmann 2016 02 08 einfach raus raus aus

eingefahrenen denkmustern raus aus der frustfalle raus aus dem büro und rein in die wildnis vor der haustür

quellen innerer kraft von anselm grün ebook scribd - Jul 15 2023

web quellen innerer kraft erschöpfung vermeiden positive energien nutzen vollständigen titel anzeigen von anselm grün 0
bewertungen Über dieses e book ausgelaugt ausgebrannt innerlich leer für viele ein dauerzustand unter dem druck des
alltags und wer erschöpft ist wird unzufrieden verliert seine kreativität spürt sich selber nicht mehr

verborgene kraftquellen der weg zur inneren stärke stern de - Jan 09 2023

web oct 6 2012 wir alle haben von kindheit an eine verborgene kraftquelle in uns der zugang zu ihr ist uns oft versperrt weil
wir verlernt haben auf unsere gefühle zu hören von uli hauser als die kugeln

quellen innerer kraft erschöpfung vermeiden posit pdf - Mar 31 2022

web apr 21 2023 quellen innerer kraft erschöpfung vermeiden posit 2 9 downloaded from uniport edu ng on april 21 2023
by guest dadurch entstanden in den vergan genen jahren nicht nur immer neue und bislang unbekannte erweiterte
perspektiven sondern auch ganz neue erkenntnisse im bereich der uralten menschentypenlehre des enneagramms