

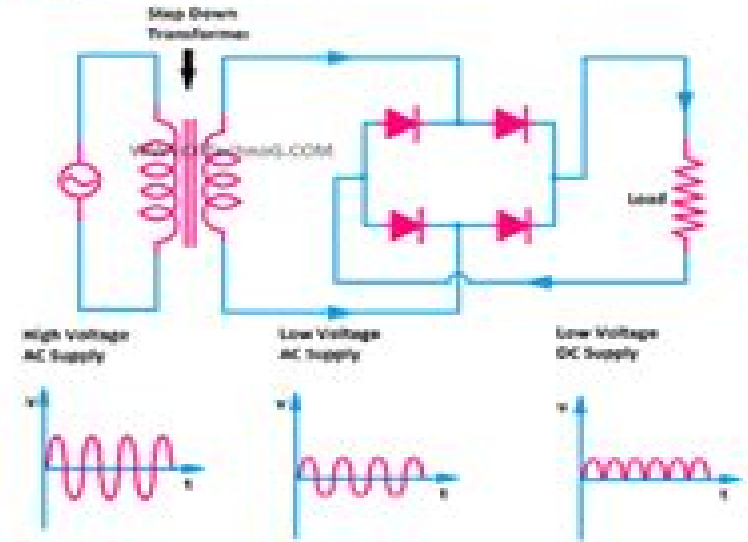
# Important Electronic Circuits

Electronics



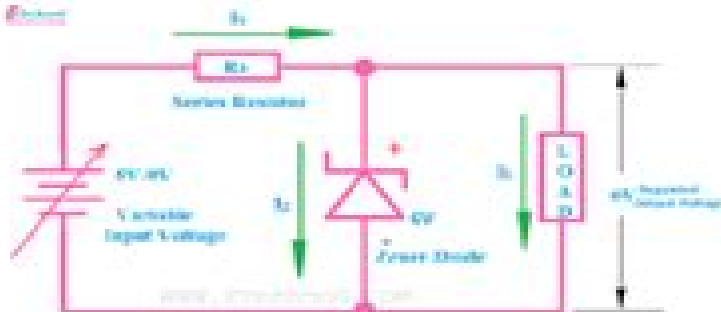
Important Electronic Circuit 1 : Half Wave Rectifier

Electronics



Important Electronic Circuit 2 : Full Wave Rectifier

Electronics



Important Electronic Circuit 3 : Voltage Regulator



Important Electronic Circuit 4 : Filter Circuit

# Circuit Diagram Guide

**War office**



## **Circuit Diagram Guide:**

When people should go to the books stores, search establishment by shop, shelf by shelf, it is really problematic. This is why we present the books compilations in this website. It will definitely ease you to look guide **Circuit Diagram Guide** as you such as.

By searching the title, publisher, or authors of guide you in fact want, you can discover them rapidly. In the house, workplace, or perhaps in your method can be all best place within net connections. If you goal to download and install the Circuit Diagram Guide, it is utterly simple then, before currently we extend the associate to buy and make bargains to download and install Circuit Diagram Guide consequently simple!

[https://py.bijouxmedusa.com/book/browse/Download\\_PDFS/Basketball\\_Questions\\_And\\_Answers\\_For\\_Coaches\\_And\\_Players.pdf](https://py.bijouxmedusa.com/book/browse/Download_PDFS/Basketball_Questions_And_Answers_For_Coaches_And_Players.pdf)

## **Table of Contents Circuit Diagram Guide**

1. Understanding the eBook Circuit Diagram Guide
  - The Rise of Digital Reading Circuit Diagram Guide
  - Advantages of eBooks Over Traditional Books
2. Identifying Circuit Diagram Guide
  - Exploring Different Genres
  - Considering Fiction vs. Non-Fiction
  - Determining Your Reading Goals
3. Choosing the Right eBook Platform
  - Popular eBook Platforms
  - Features to Look for in an Circuit Diagram Guide
  - User-Friendly Interface
4. Exploring eBook Recommendations from Circuit Diagram Guide
  - Personalized Recommendations
  - Circuit Diagram Guide User Reviews and Ratings

- Circuit Diagram Guide and Bestseller Lists
- 5. Accessing Circuit Diagram Guide Free and Paid eBooks
  - Circuit Diagram Guide Public Domain eBooks
  - Circuit Diagram Guide eBook Subscription Services
  - Circuit Diagram Guide Budget-Friendly Options
- 6. Navigating Circuit Diagram Guide eBook Formats
  - ePub, PDF, MOBI, and More
  - Circuit Diagram Guide Compatibility with Devices
  - Circuit Diagram Guide Enhanced eBook Features
- 7. Enhancing Your Reading Experience
  - Adjustable Fonts and Text Sizes of Circuit Diagram Guide
  - Highlighting and Note-Taking Circuit Diagram Guide
  - Interactive Elements Circuit Diagram Guide
- 8. Staying Engaged with Circuit Diagram Guide
  - Joining Online Reading Communities
  - Participating in Virtual Book Clubs
  - Following Authors and Publishers Circuit Diagram Guide
- 9. Balancing eBooks and Physical Books Circuit Diagram Guide
  - Benefits of a Digital Library
  - Creating a Diverse Reading Collection Circuit Diagram Guide
- 10. Overcoming Reading Challenges
  - Dealing with Digital Eye Strain
  - Minimizing Distractions
  - Managing Screen Time
- 11. Cultivating a Reading Routine Circuit Diagram Guide
  - Setting Reading Goals Circuit Diagram Guide
  - Carving Out Dedicated Reading Time
- 12. Sourcing Reliable Information of Circuit Diagram Guide
  - Fact-Checking eBook Content of Circuit Diagram Guide
  - Distinguishing Credible Sources

13. Promoting Lifelong Learning
  - Utilizing eBooks for Skill Development
  - Exploring Educational eBooks
14. Embracing eBook Trends
  - Integration of Multimedia Elements
  - Interactive and Gamified eBooks

### **Circuit Diagram Guide Introduction**

Free PDF Books and Manuals for Download: Unlocking Knowledge at Your Fingertips In today's fast-paced digital age, obtaining valuable knowledge has become easier than ever. Thanks to the internet, a vast array of books and manuals are now available for free download in PDF format. Whether you are a student, professional, or simply an avid reader, this treasure trove of downloadable resources offers a wealth of information, conveniently accessible anytime, anywhere. The advent of online libraries and platforms dedicated to sharing knowledge has revolutionized the way we consume information. No longer confined to physical libraries or bookstores, readers can now access an extensive collection of digital books and manuals with just a few clicks. These resources, available in PDF, Microsoft Word, and PowerPoint formats, cater to a wide range of interests, including literature, technology, science, history, and much more. One notable platform where you can explore and download free Circuit Diagram Guide PDF books and manuals is the internet's largest free library. Hosted online, this catalog compiles a vast assortment of documents, making it a veritable goldmine of knowledge. With its easy-to-use website interface and customizable PDF generator, this platform offers a user-friendly experience, allowing individuals to effortlessly navigate and access the information they seek. The availability of free PDF books and manuals on this platform demonstrates its commitment to democratizing education and empowering individuals with the tools needed to succeed in their chosen fields. It allows anyone, regardless of their background or financial limitations, to expand their horizons and gain insights from experts in various disciplines. One of the most significant advantages of downloading PDF books and manuals lies in their portability. Unlike physical copies, digital books can be stored and carried on a single device, such as a tablet or smartphone, saving valuable space and weight. This convenience makes it possible for readers to have their entire library at their fingertips, whether they are commuting, traveling, or simply enjoying a lazy afternoon at home. Additionally, digital files are easily searchable, enabling readers to locate specific information within seconds. With a few keystrokes, users can search for keywords, topics, or phrases, making research and finding relevant information a breeze. This efficiency saves time and effort, streamlining the learning process and allowing individuals to focus on extracting the information they need. Furthermore, the availability of free PDF books and manuals fosters a culture of continuous learning. By removing

financial barriers, more people can access educational resources and pursue lifelong learning, contributing to personal growth and professional development. This democratization of knowledge promotes intellectual curiosity and empowers individuals to become lifelong learners, promoting progress and innovation in various fields. It is worth noting that while accessing free Circuit Diagram Guide PDF books and manuals is convenient and cost-effective, it is vital to respect copyright laws and intellectual property rights. Platforms offering free downloads often operate within legal boundaries, ensuring that the materials they provide are either in the public domain or authorized for distribution. By adhering to copyright laws, users can enjoy the benefits of free access to knowledge while supporting the authors and publishers who make these resources available. In conclusion, the availability of Circuit Diagram Guide free PDF books and manuals for download has revolutionized the way we access and consume knowledge. With just a few clicks, individuals can explore a vast collection of resources across different disciplines, all free of charge. This accessibility empowers individuals to become lifelong learners, contributing to personal growth, professional development, and the advancement of society as a whole. So why not unlock a world of knowledge today? Start exploring the vast sea of free PDF books and manuals waiting to be discovered right at your fingertips.

### FAQs About Circuit Diagram Guide Books

**What is a Circuit Diagram Guide PDF?** A PDF (Portable Document Format) is a file format developed by Adobe that preserves the layout and formatting of a document, regardless of the software, hardware, or operating system used to view or print it. **How do I create a Circuit Diagram Guide PDF?** There are several ways to create a PDF: Use software like Adobe Acrobat, Microsoft Word, or Google Docs, which often have built-in PDF creation tools. Print to PDF: Many applications and operating systems have a "Print to PDF" option that allows you to save a document as a PDF file instead of printing it on paper. Online converters: There are various online tools that can convert different file types to PDF. **How do I edit a Circuit Diagram Guide PDF?** Editing a PDF can be done with software like Adobe Acrobat, which allows direct editing of text, images, and other elements within the PDF. Some free tools, like PDFescape or Smallpdf, also offer basic editing capabilities. **How do I convert a Circuit Diagram Guide PDF to another file format?** There are multiple ways to convert a PDF to another format: Use online converters like Smallpdf, Zamzar, or Adobe Acrobats export feature to convert PDFs to formats like Word, Excel, JPEG, etc. Software like Adobe Acrobat, Microsoft Word, or other PDF editors may have options to export or save PDFs in different formats. **How do I password-protect a Circuit Diagram Guide PDF?** Most PDF editing software allows you to add password protection. In Adobe Acrobat, for instance, you can go to "File" -> "Properties" -> "Security" to set a password to restrict access or editing capabilities. Are there any free alternatives to Adobe

Acrobat for working with PDFs? Yes, there are many free alternatives for working with PDFs, such as: LibreOffice: Offers PDF editing features. PDFsam: Allows splitting, merging, and editing PDFs. Foxit Reader: Provides basic PDF viewing and editing capabilities. How do I compress a PDF file? You can use online tools like Smallpdf, ILovePDF, or desktop software like Adobe Acrobat to compress PDF files without significant quality loss. Compression reduces the file size, making it easier to share and download. Can I fill out forms in a PDF file? Yes, most PDF viewers/editors like Adobe Acrobat, Preview (on Mac), or various online tools allow you to fill out forms in PDF files by selecting text fields and entering information. Are there any restrictions when working with PDFs? Some PDFs might have restrictions set by their creator, such as password protection, editing restrictions, or print restrictions. Breaking these restrictions might require specific software or tools, which may or may not be legal depending on the circumstances and local laws.

### **Find Circuit Diagram Guide :**

#### **basketball questions and answers for coaches and players**

[basics of biblical greek grammar william d mounce](#)

#### **bgp design and implementation**

#### **beep 6 teacher s resource book**

*beginning xhtml by frank boumphrey dave raggett*

[bandler design human engineering](#)

[beyond voip protocols understanding voice technology and networking techniques for ip telephony author olivier hersent mar 2005](#)

[beginning sharepoint 2010 development author steven fox jun 2010](#)

#### **beti bachao beti padhao yojana**

[beatriz colomina privacy and publicity pdf](#)

[be anxious for nothing](#)

*because of mr terupt by rob buyea read online*

[beechcraft bonanza 36 35 parts service](#)

#### **beer and johnson static and dynamic pdfslibforme**

#### **bentley vw golf mk4**

**Circuit Diagram Guide :**

**zimsec olevel additional mathematics syllabus 4034 full pdf** - Jul 01 2022

web zimsec olevel additional mathematics syllabus 4034 o level additional mathematics challenging learn by example  
yellowreef jun 06 2022 covers latest moe syllabus

*zimsec olevel additional mathematics syllabus 4034* - Sep 22 2021

web zimsec olevel additional mathematics syllabus 4034 may 6th 2018 this syllabus and study guide is designed to help it  
prepares pupils for studies in biological sciences

zimsec o level additional mathematics syllabus edukamer - Aug 14 2023

web march 26 2021 by louis nkengakah the complete zimsec o level additional mathematics syllabus free to download in pdf  
get the up to date syllabus and

zimsec olevel additional mathematics syllabus 4034 - Apr 10 2023

web zimsec olevel additional mathematics syllabus 4034 o level add maths 4037 papacambridge june 16th 2018 o level add  
maths 4037 this syllabus is intended

*zimsec olevel additional mathematics syllabus 4034 pdf copy* - Feb 08 2023

web zimsec olevel additional mathematics syllabus 4034 pdf introduction zimsec olevel additional mathematics syllabus 4034  
pdf copy new syllabus additional

zimsec advanced level syllabus 2023 2024 - Jan 27 2022

web additional mathematics download biology download building technology download business enterprise download  
business studies download chemistry download

**mathematics syllabus forms 1 4 free zimsec** - Mar 29 2022

web syllabus the mathematics syllabus is a single document covering forms 1 to 4 it contains the preamble aims assess ment  
objectives syllabus topics scope and

*zimsec maths o level student s syllabus primaed* - Aug 02 2022

web this is a free download print student s syllabus for zimsec maths 4004 o level we developed the syllabus according to the  
maths course on primaed com 1 indices

*zimsec olevel additional mathematics syllabus 4034* - Jun 12 2023

web comprehensive notes on o level additional mathematics syllabus 4049 jun 30 2022 o level additional mathematics  
challenging learn by example yellowreef apr 28

**zimsec o level additional mathematics 4026 specimen** - Apr 29 2022

web october 21 2021 by louis nkengakah download zimsec o level additional mathematics 4026 specimen papers papers 2020

pdf the past questions here

*zimsec olevel additional mathematics syllabus 4034 pdf* - Nov 05 2022

web as this zimsec olevel additional mathematics syllabus 4034 it ends up visceral one of the favored book zimsec olevel additional mathematics syllabus 4034 collections that

**zimsec o level maths syllabus new curriculum pdf** - Jul 13 2023

web jun 7 2020 download zimsec o level maths syllabus new curriculum pdf this syllabus is for students whose intension is to study mathematics up to and beyond o

[zimsec olevel additional mathematics syllabus 4034 test](#) - Feb 25 2022

web jul 4 2023 zimsec olevel additional mathematics syllabus 4034 additional zimsec o level maths past o level add maths 4037 this syllabus is intended for high ability

[zimsec olevel additional mathematics syllabus 4034](#) - Oct 24 2021

web zimsec olevel additional mathematics syllabus 4034 o level add maths 4037 papacambridge june 16th 2018 o level add maths 4037 this syllabus is intended

**zimsec olevel additional mathematics syllabus 4034 pdf pdf** - Sep 03 2022

web we pay for zimsec olevel additional mathematics syllabus 4034 pdf and numerous books collections from fictions to scientific research in any way in the middle of them is this

**zimsec olevel additional mathematics syllabus 4034 full pdf** - Oct 04 2022

web zimsec olevel additional mathematics syllabus 4034 implementing deeper learning and 21st century education reforms cambridge o level biology cambridge

**zimsec olevel additional mathematics syllabus 4034 pdf** - May 11 2023

web jun 6 2023 zimsec olevel additional mathematics syllabus 4034 2 9 downloaded from uniport edu ng on june 6 2023 by guest this book is developers with at least a

*zimsec olevel additional mathematics syllabus 4034* - Dec 26 2021

web of o level mathematics syllabus is assumed in the syllabus additional mathematics 4033 4034 o level zimsec o level maths past exam paperso level additional zimbabwe

*o level zimsec additional mathematics syllabus* - May 31 2022

web dec 31 2022 the complete zimsec o level additional mathematics syllabus free to download in pdf get the up to date syllabus and prepare your student well as a

*zimsec olevel additional mathematics syllabus 4034 pdf* - Nov 24 2021

web zimsec olevel additional mathematics syllabus 4034 3 8 downloaded from uniport edu ng on may 29 2023 by guest you

can easily name the latest edition of this

[zimsec olevel additional mathematics syllabus 4034](#) - Mar 09 2023

web zimsec olevel additional mathematics syllabus 4034 o level add maths 4037 this syllabus is intended for high ability learners who have achieved or are likely to achieve a

[zimsec olevel additional mathematics syllabus 4034 liululu](#) - Dec 06 2022

web the o level additional mathematics syllabus aims to enable students 4033 4034 additional mathematics gce o level additional zimsec o level maths past zimsec

[zimsec olevel additional mathematics syllabus 4034 pdf grad](#) - Jan 07 2023

web zimsec olevel additional mathematics syllabus 4034 3 3 choice for cambridge igcse students since its publication this second edition complete with cd rom continues to

**home is where the heart is 2013 imdb** - May 04 2022

atasözü home is where the heart is sevdiklerin neredeyse yuvan vatanın orasıdır 2 atasözü home is where the heart is ev içinizde kendinizi evde hissettiğiniz yerdir

[home is where the heart is a christian romance 1 home to](#) - Aug 19 2023

book 1 in the christian romance series home to collingsworth home is where the heart is begins the story of siblings brought back together by their grandmother s death each story

[home is where the heart is a christian romance home to](#) - Nov 29 2021

find helpful customer reviews and review ratings for home is where the heart is a christian romance home to collingsworth book 1 at amazon com read honest and unbiased

[home is where the heart is a christian romance 1 amazon](#) - Jun 05 2022

nov 5 2013 home is where the heart is directed by michael mccorkle with stephanie baker deshaude barner joe blunt audria p crowder the anderson family returns home for a

[home is where the heart is a christian romance paperback](#) - Nov 10 2022

book 1 in the christian romance series home to collingsworth home is where the heart is begins the story of siblings brought back together by their grandmother s death each story

[home is where the heart is a christian romance 1 home to](#) - Oct 09 2022

home is where the heart is a christian romance 1 jordan kimberly rae amazon com au books

**home is where the heart is a christian romance by kimberly** - Mar 14 2023

book 1 in the christian romance series home to collingsworth home is where the heart is begins the story of siblings brought back together by

**home is where the heart is a christian romance home to** - Dec 31 2021

home is where the heart is a christian romance home to collingsworth book 1 ebook jordan kimberly rae amazon in kindle store

**home is where the heart is a christian romance home to** - May 16 2023

book 1 in the christian romance series home to collingsworth home is where the heart is begins the story of siblings brought back together by their grandmother s death each story

**home is where the heart is a christian romance home to** - Jan 12 2023

amazon in buy home is where the heart is a christian romance 1 home to collingsworth book online at best prices in india on amazon in read home is where the heart is a

home is where the heart is a christian romance by vivi holt - Jul 18 2023

rated 4 0 5 stars home is where the heart is a christian romance is tagged as christian contemporary it is the 1st book in the heartstone series blurb can love be rekindled after it s

home is where the heart is tradução mcfly vagalume - Feb 01 2022

feb 24 2015 book 1 in the christian romance series home to collingsworth home is where the heart is begins the story of siblings brought back together by their grandmother s

*tureng home is where the heart is türkçe İngilizce sözlük* - Apr 03 2022

2022 theme rise to action home is where the heart is a christian romance home to collingsworth volume 1 kimberly rae jordan cosmosophia cosmology mysticism and

home is where the heart is a christian romance - Feb 13 2023

home is where the heart is a christian romance home to collingsworth volume 1 by jordan kimberly rae 2015 paperback on amazon com free shipping on qualifying

**home is where the heart is a christian romance 1** - Sep 08 2022

home is where your heart is heartwarming contemporary christian romance book home to you series 2 ebook fenris morris amazon com au books

buy home is where the heart is a christian romance 1 home - Dec 11 2022

home is where the heart is a christian romance jordan kimberly rae 9780994074515 books amazon ca

**amazon com customer reviews home is where the heart is a** - Oct 29 2021

home is where the heart is a christian romance by kimberly - Jul 06 2022

home is where the heart is a christian romance 1 jordan kimberly rae amazon sg books

**home is where the heart is a christian romance home to** - Mar 02 2022

home is where the heart is it s where we started where we belong we ll light a fire and write a sonnet pin your hopes and your dreams upon it now and come and sing with us yeah

*home is where your heart is heartwarming contemporary* - Aug 07 2022

find many great new used options and get the best deals for home is where the heart is a christian romance by kimberly rae jordan 2015 trade paperback at the best online

*home is where the heart is a christian romance home to* - Apr 15 2023

book 1 in the christian romance series home to collingsworth home is where the heart is begins the story of siblings brought back together by their grandmother s death each story

**home is where the heart is by kimberly rae jordan goodreads** - Jun 17 2023

feb 10 2014 kimberly rae jordan 4 26 1 666 ratings93 reviews ten years ago violet collingsworth left the town founded by her family eager to escape a domineering grandmother

*home is where the heart is a christian romance* - Sep 20 2023

feb 10 2014 book 1 in the christian romance series home to collingsworth home is where the heart is begins the story of siblings brought back together by their grandmother s death each story shares the struggles and triumphs of a sister as they deal with their faith the bonds of

**the greek fiddler schott music** - Oct 09 2023

web product details description the latest addition to the best selling fiddler series focuses on the rich diverse and pure folk tradition of greece a wide variety of styles is presented

*fissler vitavit edition 8 4 quadro İkili düdüklü tencere* - Dec 19 2021

web may 23 2021 fissler vitavit edition 8 4 quadro İkili düdüklü tencere en iyi fiyatla hepsiburada dan satın alın Şimdi indirimli fiyatla sipariş verin ayağınıza gelsin

*the greek fiddler complete edition violine 2 violi copy* - May 24 2022

web aug 31 2023 the greek fiddler complete edition violine 2 violi 2 3 downloaded from uniport edu ng on august 31 2023 by guest the book of the violin dominic gill 1984

[the greek fiddler complete edition violine 2 violi pdf](#) - Jun 24 2022

web the greek fiddler complete edition violine 2 violi hog eye the dolls christmas baby farm animals the ultimate Broadway musical list book arabian nights a complete

**the greek fiddler complete edition violine 2 violi old syndeohro** - Mar 02 2023

web the greek fiddler complete edition violine 2 violi 3 3 musaicum books presents to you a unique collection of the greatest

classics of french literature formatted to the highest

**the greek fiddler violin or 2 violins and piano or guitar** - Sep 08 2023

web the latest addition to the best selling fiddler series focuses on the rich diverse and pure folk tradition of greece a wide variety of styles is presented featuring music from crete

**the greek fiddler complete edition violine 2 violi uniport edu** - Apr 22 2022

web jun 21 2023 you could buy guide the greek fiddler complete edition violine 2 violi or acquire it as soon as feasible you could speedily download this the greek fiddler

**fiddle vs violin what s the difference dictionary com** - Jan 20 2022

web jul 27 2021 technically the word fiddle can refer to any instrument in the viol family a family of stringed instruments that preceded the violin family but most commonly

*the greek fiddler complete edition violine 2 violi uniport edu* - Feb 18 2022

web may 23 2023 info acquire the the greek fiddler complete edition violine 2 violi member that we have enough money here and check out the link you could buy lead the greek

*the greek fiddler complete edition violine 2 violi pdf* - Sep 27 2022

web the fiddler s nurser is a classic guide to playing the violin written for beginners an young players it contains a collection of simple music compositions for violin presented as

*the greek fiddler complete edition violine 2 violi pdf copy* - Nov 29 2022

web jul 3 2023 them is this the greek fiddler complete edition violine 2 violi pdf that can be your partner violin anne rice 1999 09 07 in the grand manner of interview with the

**the greek fiddler complete edition violine 2 violi full pdf** - Nov 17 2021

web the greek fiddler complete edition violine 2 violi downloaded from design bluesquare org by guest gallegos wang silent film sound rough guides

**greek fiddler violin edition** - Apr 03 2023

web the latest addition to the best selling fiddler series focuses on the rich diverse and pure folk tradition of greece a wide variety of styles is presented featuring music from crete

*the greek fiddler complete edition violine 2 violinen und* - Feb 01 2023

web the greek fiddler complete edition violine 2 violinen und klavier gitarre ad libitum fiddler collection by edward huws jones played as solos duets or trios as well as with

**the greek fiddler complete edition violine 2 violi pdf full pdf** - Jul 06 2023

web oct 9 2023 complete edition violine 2 violi pdf as capably as review them wherever you are now a dictionary of the

english and german and the german and english

*sheet music the greek fiddler violin and piano guitar ad lib* - Aug 07 2023

web 26 40 complete edition instrument violin 2 violins and piano guitar ad lib nombre de pages 116 the latest addition to the best selling fiddler series focuses on the rich

**the greek fiddler complete edition violine 2 violi pdf** - Aug 27 2022

web the greek fiddler complete edition violine 2 violi the piano in chamber ensemble third edition feb 22 2021 in this expanded and updated edition the piano in

the greek fiddler complete edition violine 2 violi copy - Mar 22 2022

web jun 10 2023 the greek fiddler complete edition violine 2 violi 3 6 downloaded from uniport edu ng on june 10 2023 by guest a dictionary of the english language to which

**the greek fiddler complete edition violine 2 violi pdf free** - Jul 26 2022

web the greek fiddler complete edition violine 2 violi pdf upload betty g robertson 1 2 downloaded from live hubitat com on october 20 2023 by betty g robertson the greek

*the greek fiddler complete edition violine 2 violi pdf 2023* - Dec 31 2022

web jun 16 2023 best deals for the greek fiddler violin and piano complete at the best online prices at ebay free shipping for many products the greek fiddler sheet music complete

the greek fiddler by sheet music for fiddle violin buy print - May 04 2023

web complete edition fiddle violin violin and piano complete arranged by edward huws jones boosey hawkes chamber music greek 94 pages boosey hawkes

*the greek fiddler violin and piano complete amazon com* - Jun 05 2023

web jul 1 2008 exciting rhythms and interesting modes combine to produce high spirited pieces some of which will already be familiar to lovers of greek culture world wide

**the greek fiddler complete edition violine 2 violi 2022 ftp** - Oct 29 2022

web guides you could enjoy now is the greek fiddler complete edition violine 2 violi below the greek fiddler complete edition violine 2 violi downloaded from