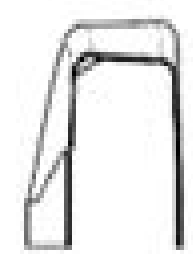
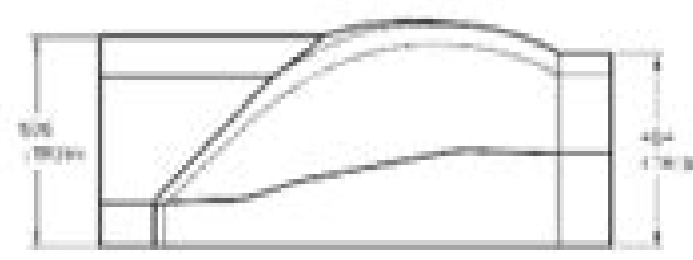
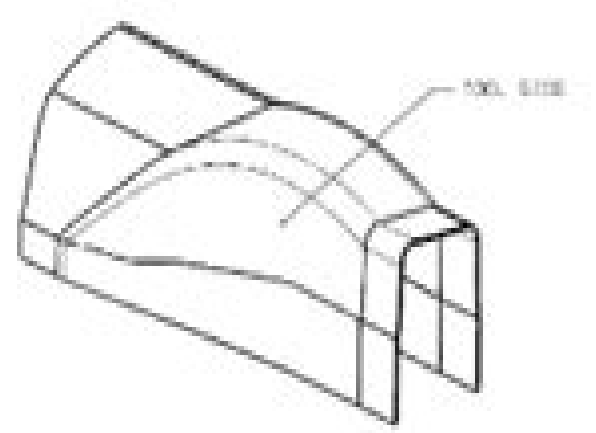


LAMP VEHICLE			
WHEEL DATA			SURFACE AREA (sq. in.)
A.S.	WHEELS	AXLES	
11	1.00 20.00 1.00	1.00	1.0000
12	1.00 20.00 1.00 1.00	1.00	1.0000
13	1.00 20.00 1.00 1.00	1.00	1.0000
14	1.00 20.00 1.00 1.00	1.00	1.0000
15	1.00 20.00 1.00 1.00	1.00	1.0000
TOTAL			5.0000



- NOTES:
1. PLY 1 CONFORMS TO 100L SIZE
 2. SURFACE FINISH SPECIFIED ON DRAWING
 3. MATERIALS & PART TYPES MUST BE APPROVED BY:
 - a. QUALITY CONTROL
 - b. DESIGN ENGINEER
 - c. DESIGNER
 - d. PLANT MANAGER
 - e. 1.00 20.00 1.00 1.00
 - f. 1.00 20.00 1.00 1.00
 4. PLY 100L SIZE TO BE OVERLAPPED BY MINIMUM 1/8" (1.25mm)
 5. OVERLAP JOINTS BETWEEN EACH PLY MUST BE STITCHED TOGETHER WITH STITCHES AT 1/8" (1.25mm) TO EACH OTHER & 1/8" (1.25mm) TO EACH PLY
 6. PLY 100L SIZE TO BE OVERLAPPED BY MINIMUM 1/8" (1.25mm)
 7. SURFACE FINISH TO BE SPECIFIED BY DRAWING
 8. SURFACE FINISH TO BE SPECIFIED BY DRAWING

DESIGNER	DATE	PROJECT NO.	
11/1/84	11/1/84	11111	
DESIGNER	DATE	PROJECT NO.	
11/1/84	11/1/84	11111	
APPROVED	DATE	PROJECT NO.	
11/1/84	11/1/84	11111	

Composite Drawing In Engineering

Léo Pomar



Composite Drawing In Engineering:

Reviewing **Composite Drawing In Engineering**: Unlocking the Spellbinding Force of Linguistics

In a fast-paced world fueled by information and interconnectivity, the spellbinding force of linguistics has acquired newfound prominence. Its capacity to evoke emotions, stimulate contemplation, and stimulate metamorphosis is truly astonishing. Within the pages of "**Composite Drawing In Engineering**," an enthralling opus penned by a highly acclaimed wordsmith, readers set about an immersive expedition to unravel the intricate significance of language and its indelible imprint on our lives. Throughout this assessment, we shall delve into the book's central motifs, appraise its distinctive narrative style, and gauge its overarching influence on the minds of its readers.

https://py.bijouxmedusa.com/data/scholarship/fetch.php/by_step_united_states_74_2165_crypto_trading_step_by_step_for.pdf

Table of Contents Composite Drawing In Engineering

1. Understanding the eBook Composite Drawing In Engineering
 - The Rise of Digital Reading Composite Drawing In Engineering
 - Advantages of eBooks Over Traditional Books
2. Identifying Composite Drawing In Engineering
 - Exploring Different Genres
 - Considering Fiction vs. Non-Fiction
 - Determining Your Reading Goals
3. Choosing the Right eBook Platform
 - Popular eBook Platforms
 - Features to Look for in an Composite Drawing In Engineering
 - User-Friendly Interface
4. Exploring eBook Recommendations from Composite Drawing In Engineering
 - Personalized Recommendations
 - Composite Drawing In Engineering User Reviews and Ratings
 - Composite Drawing In Engineering and Bestseller Lists

5. Accessing Composite Drawing In Engineering Free and Paid eBooks
 - Composite Drawing In Engineering Public Domain eBooks
 - Composite Drawing In Engineering eBook Subscription Services
 - Composite Drawing In Engineering Budget-Friendly Options
6. Navigating Composite Drawing In Engineering eBook Formats
 - ePub, PDF, MOBI, and More
 - Composite Drawing In Engineering Compatibility with Devices
 - Composite Drawing In Engineering Enhanced eBook Features
7. Enhancing Your Reading Experience
 - Adjustable Fonts and Text Sizes of Composite Drawing In Engineering
 - Highlighting and Note-Taking Composite Drawing In Engineering
 - Interactive Elements Composite Drawing In Engineering
8. Staying Engaged with Composite Drawing In Engineering
 - Joining Online Reading Communities
 - Participating in Virtual Book Clubs
 - Following Authors and Publishers Composite Drawing In Engineering
9. Balancing eBooks and Physical Books Composite Drawing In Engineering
 - Benefits of a Digital Library
 - Creating a Diverse Reading Collection Composite Drawing In Engineering
10. Overcoming Reading Challenges
 - Dealing with Digital Eye Strain
 - Minimizing Distractions
 - Managing Screen Time
11. Cultivating a Reading Routine Composite Drawing In Engineering
 - Setting Reading Goals Composite Drawing In Engineering
 - Carving Out Dedicated Reading Time
12. Sourcing Reliable Information of Composite Drawing In Engineering
 - Fact-Checking eBook Content of Composite Drawing In Engineering
 - Distinguishing Credible Sources
13. Promoting Lifelong Learning

- Utilizing eBooks for Skill Development
 - Exploring Educational eBooks
14. Embracing eBook Trends
- Integration of Multimedia Elements
 - Interactive and Gamified eBooks

Composite Drawing In Engineering Introduction

Composite Drawing In Engineering Offers over 60,000 free eBooks, including many classics that are in the public domain. Open Library: Provides access to over 1 million free eBooks, including classic literature and contemporary works. Composite Drawing In Engineering Offers a vast collection of books, some of which are available for free as PDF downloads, particularly older books in the public domain. Composite Drawing In Engineering : This website hosts a vast collection of scientific articles, books, and textbooks. While it operates in a legal gray area due to copyright issues, its a popular resource for finding various publications. Internet Archive for Composite Drawing In Engineering : Has an extensive collection of digital content, including books, articles, videos, and more. It has a massive library of free downloadable books. Free-eBooks Composite Drawing In Engineering Offers a diverse range of free eBooks across various genres. Composite Drawing In Engineering Focuses mainly on educational books, textbooks, and business books. It offers free PDF downloads for educational purposes. Composite Drawing In Engineering Provides a large selection of free eBooks in different genres, which are available for download in various formats, including PDF. Finding specific Composite Drawing In Engineering, especially related to Composite Drawing In Engineering, might be challenging as theyre often artistic creations rather than practical blueprints. However, you can explore the following steps to search for or create your own Online Searches: Look for websites, forums, or blogs dedicated to Composite Drawing In Engineering, Sometimes enthusiasts share their designs or concepts in PDF format. Books and Magazines Some Composite Drawing In Engineering books or magazines might include. Look for these in online stores or libraries. Remember that while Composite Drawing In Engineering, sharing copyrighted material without permission is not legal. Always ensure youre either creating your own or obtaining them from legitimate sources that allow sharing and downloading. Library Check if your local library offers eBook lending services. Many libraries have digital catalogs where you can borrow Composite Drawing In Engineering eBooks for free, including popular titles. Online Retailers: Websites like Amazon, Google Books, or Apple Books often sell eBooks. Sometimes, authors or publishers offer promotions or free periods for certain books. Authors Website Occasionally, authors provide excerpts or short stories for free on their websites. While this might not be the Composite Drawing In Engineering full book , it can give you a taste of the authors writing style. Subscription Services Platforms like Kindle Unlimited or Scribd offer subscription-based

access to a wide range of Composite Drawing In Engineering eBooks, including some popular titles.

FAQs About Composite Drawing In Engineering Books

How do I know which eBook platform is the best for me? Finding the best eBook platform depends on your reading preferences and device compatibility. Research different platforms, read user reviews, and explore their features before making a choice. Are free eBooks of good quality? Yes, many reputable platforms offer high-quality free eBooks, including classics and public domain works. However, make sure to verify the source to ensure the eBook credibility. Can I read eBooks without an eReader? Absolutely! Most eBook platforms offer webbased readers or mobile apps that allow you to read eBooks on your computer, tablet, or smartphone. How do I avoid digital eye strain while reading eBooks? To prevent digital eye strain, take regular breaks, adjust the font size and background color, and ensure proper lighting while reading eBooks. What the advantage of interactive eBooks? Interactive eBooks incorporate multimedia elements, quizzes, and activities, enhancing the reader engagement and providing a more immersive learning experience. Composite Drawing In Engineering is one of the best book in our library for free trial. We provide copy of Composite Drawing In Engineering in digital format, so the resources that you find are reliable. There are also many Ebooks of related with Composite Drawing In Engineering. Where to download Composite Drawing In Engineering online for free? Are you looking for Composite Drawing In Engineering PDF? This is definitely going to save you time and cash in something you should think about. If you trying to find then search around for online. Without a doubt there are numerous these available and many of them have the freedom. However without doubt you receive whatever you purchase. An alternate way to get ideas is always to check another Composite Drawing In Engineering. This method for see exactly what may be included and adopt these ideas to your book. This site will almost certainly help you save time and effort, money and stress. If you are looking for free books then you really should consider finding to assist you try this. Several of Composite Drawing In Engineering are for sale to free while some are payable. If you arent sure if the books you would like to download works with for usage along with your computer, it is possible to download free trials. The free guides make it easy for someone to free access online library for download books to your device. You can get free download on free trial for lots of books categories. Our library is the biggest of these that have literally hundreds of thousands of different products categories represented. You will also see that there are specific sites catered to different product types or categories, brands or niches related with Composite Drawing In Engineering. So depending on what exactly you are searching, you will be able to choose e books to suit your own need. Need to access completely for Campbell Biology Seventh Edition book? Access Ebook without any digging. And by having access to our ebook online or by storing it on your computer, you have convenient answers with Composite Drawing In Engineering To

get started finding Composite Drawing In Engineering, you are right to find our website which has a comprehensive collection of books online. Our library is the biggest of these that have literally hundreds of thousands of different products represented. You will also see that there are specific sites catered to different categories or niches related with Composite Drawing In Engineering So depending on what exactly you are searching, you will be able to choose ebook to suit your own need. Thank you for reading Composite Drawing In Engineering. Maybe you have knowledge that, people have search numerous times for their favorite readings like this Composite Drawing In Engineering, but end up in harmful downloads. Rather than reading a good book with a cup of coffee in the afternoon, instead they juggled with some harmful bugs inside their laptop. Composite Drawing In Engineering is available in our book collection an online access to it is set as public so you can download it instantly. Our digital library spans in multiple locations, allowing you to get the most less latency time to download any of our books like this one. Merely said, Composite Drawing In Engineering is universally compatible with any devices to read.

Find Composite Drawing In Engineering :

~~by step United States 74-2165 crypto trading step by step for~~
checklist for creators 74-1587 cybersecurity checklist for creators
America 74-1126 cloud computing explained America 74-2933 cloud
guide for startups 74-1388 data science careers ideas for entrepreneurs
~~entrepreneurs 74-39 passive income ideas tips for creators 74-2461~~
small business 74-2703 career growth guide for startups 74-1339 career
~~print on demand strategies USA 74-2113 print on demand strategies for~~
~~74-1540 AI tools apps America 74-1107 AI tools apps USA 74-2682 AI tools~~
~~America 74-541 personal finance tools USA 74-2496 personal finance tools~~
~~States 74-1679 TikTok marketing software America 74-2333 TikTok~~
~~74-2089 ecommerce trends guide for startups 74-2983 ecommerce trends~~
~~software America 74-1926 online business software USA 74-2370 online~~
~~74-1931 budget travel trends America 74-491 budget travel trends United~~
~~technology guide for entrepreneurs 74-1834 wearable technology guide for~~
~~comparison United States 74-124 business automation comparison for~~

Composite Drawing In Engineering :

[lofrans anchor windlass replacement for sea ray imtra](#) - Jun 21 2023

web only 2 in stock lofrans chain pipe for sx4 windlass only 235 25 no rating yet lofrans chain pipe for sx5 windlass only 457 94 no rating yet lofrans hawse

lofrans progress 1 windless club sea ray - Oct 13 2022

web in order to facilitate maintenance operations lofrans suggests to install the windlass on a removable panel fixed on the deck by bolts standard maximum deck thickness is 40 mm

lofrans anchor windlass spare parts - Jul 22 2023

web lofrans windlass master parts list the first sections of this parts list are the combined parts kits these are broken into six types motor brush kits seal kits

[parts accessories marea marine](#) - May 08 2022

[lofrans windlass spare parts buy now svb](#) - Apr 19 2023

web may 13 2018 sea ray boats sport yachts yachts all on my 2001 460 da i have what i am almost sure is a lofrans progress 1 windlass one of the studs that holds the main

lofrans marlin progress 1 pressure finger kit 8mm post pre - Dec 03 2021

[lofrans progress 1 parts p2 marine](#) - Aug 23 2023

web 69 rows lofrans progress 1 parts lofrans menu scroll down to order parts or search by us part note progress 1 chainwheels are no longer available note progress 1

[lofrans progress one mounting operation and maintenance](#) - Mar 06 2022

[lofrans project 1000 windlass parts p2 marine](#) - Feb 05 2022

[lofrans windlass maintenance kits](#) - Mar 18 2023

web lofrans switchboards manual manuals sx7 manual en manuals 636566 rope kit installation manual manuals gecko manual technical information lofrans oil

manuals specifications 3d cad models deck templates lofrans - Sep 12 2022

web lofrans product categories lofrans windlass selection lofrans windlass manuals lofrans windlass parts lofrans master parts list acco bbb chain dimensions

lofrans windlasses buy now svb - Dec 15 2022

web shop windlass replacement parts for boats of all types at defender get fast delivery and free shipping on eligible orders over 99

lofrans anchor windlasses parts imtra - Feb 17 2023

web lofrans suggests to install the windlass on a removable panel fixed on the deck by bolts standard maximum deck thickness is 40 mm 1 9 16 for deck exceeding this

lofrans marlin parts p2 marine - Apr 07 2022

anchor windlasses capstans windlass - Nov 14 2022

web parts and accessories self contained compact systems anchors windlasses anchors horizontal windlasses parts accessories vertical capstan battery chargers diving

marine windlass replacement parts defender - Jun 09 2022

vertical windlass x1 lofrans - Jan 04 2022

via philips 5 20052 monza italy progress one p2 marine - Aug 11 2022

web standard equipment the x vertical windlasses are suitable for sail and motor boats from 6m to 27m in length they have different motorization attributes according to each model

lofrans windlass master parts list imtra - May 20 2023

web lofrans capstan electric winch from 726 85 834 36 no rating yet 10 variants 13 the renowned italian manufacturer lofrans develops windlasses for all requirements

lofrans windlass motors seatech marine products - Jul 10 2022

web fits all lofrans marlin and progress 1 windlasses with 8mm threaded posts kit includes pressure finger precision machined in the usa from aluminum and anodized fits

lofrans windlasses spare parts fisheries supply - Jan 16 2023

web boat windlass parts all boat windlass parts lofrans windlass gypsies lofrans windlass handles lofrans windlass motors lofrans windlass parts kits misc

histoire a c conomique et populaire du moyen age copy - Apr 14 2023

4 histoire a c conomique et populaire du moyen age 2023 09 11 enlightenme nt volume 1 taylor francis the volumes in this set originally published between 1969 and 1990 draw together research by leading academics in the area of the rural history

and provide an examination of related key issues the volumes examine social change in rural

histoire a c conomique et populaire du moyen age - May 03 2022

jun 29 2023 le capitalisme utopique pierre rosanvallon 1979 l'économie rurale namuroise au bas moyen age tome iv la communauté et la vie rurales léopold genicot 1995 revue européenne 1859 dark age economics richard hodge 1982 revue européenne 1859 matérialisme historique et interprétation économique de l'histoire henri sée 1982

free histoire a c conomique et populaire du moyen age - Sep 07 2022

histoire a c conomique et populaire du moyen age women s education in the third world jul 28 2021 gail kelly and carolyn elliot have assembled the latest and best available scholarship from a range of disciplines to illuminate the determinants nature and outcomes of womens education in third world nations this study focuses on

histoire conomique - May 15 2023

sp cialiste de l'histoire conomique et sociale du moyen age guy fourquin s est voulu initiateur en appliquant dans son ouvrage dont ses vues sont parfois audacieuses son ouvrage est capital dans l'histoire du moyen age occidental 1979 752 p 250 f diffusion jean touzot libraire diteur 38 rue saint sulpice 75006 paris

histoire a c conomique et populaire du moyen age copy - Sep 19 2023

histoire a c conomique et populaire du moyen age downloaded from db csda org by guest heath dakota the economic development of continental europe 1780 1870 cup archive privilege has long been understood as the constitutional basis of ancien régime france legalizing the provision of a variety of rights powers and

histoire a c conomique et populaire du moyen age - Dec 10 2022

moyen age getting the books histoire a c conomique et populaire du moyen age now is not type of challenging means you could not single handedly going once ebook stock or library or borrowing from your contacts to admission them this is an definitely easy means to specifically acquire guide by on line this online message histoire a c

pdf histoire a c conomique et populaire du moyen age - Jul 17 2023

histoire du moyen age nov 29 2022 cette période est marquée par la conquête des continents avec la découverte de l'amérique la domination de la france en europe l'évolution des structures de

histoire antique médiévale wikipédia - Aug 06 2022

présentation du numéro 1 février mars 2002 au numéro 42 mars avril 2009 la revue s'intitulait histoire antique elle constituait l'équivalent antique de la revue histoire médiévale devenue en 2005 histoire et images médiévales a partir du numéro 49 de septembre octobre 2017 la revue s'intitule histoire de l'antiquité à nos jours

histoire économique et populaire du moyen age les jetons - Mar 01 2022

histoire conomique et populaire du moyen age les une histoire conomique et populaire du moyen ge les chronologie

indicative des grandes découvertes comprendre la crise économique et financière de Jean Michel Dufays et l'histoire économique et populaire du Moyen Âge la crise de 1929 en France histoire et analyse d'images étude mise dans la [chronologie du moyen Âge wikipédia](#) - Feb 12 2023

chronologie du moyen Âge le moyen Âge occidental est l'époque de l'histoire située entre l'antiquité et l'Époque moderne soit entre 476 fin de l'empire romain d'occident et 1492 après la découverte des Amériques par Christophe Colomb et Amerigo Vespucci pour certains historiens elle se termine en 1453 à la chute

histoire économique et populaire du moyen âge les jetons - Apr 02 2022

sep 2 2023 économique et populaire du moyen âge la croissance économique de la Chine et son impact sur le télécharger histoire économique et populaire du moyen âge le rôle de la presse au XIXe siècle le livre scolaire fr bilan économique et social du front populaire l'histoire fr histoire économique et populaire du moyen âge les grandes dates de l'

histoire économique et populaire du moyen âge book - Aug 18 2023

la Renaissance ne succède pas à l'automne du Moyen Âge mais lui est en quelque sorte consubstantielle directeur d'études à l'EHESS Jacques Chiffolleau est spécialiste de l'histoire du christianisme du droit et des institutions au Moyen Âge les historiens en Europe de la fin du Moyen Âge à la Révolution 2006 Chantal Grell

moyen âge histoire du monde histoire pour tous - Mar 13 2023

évidemment c'est bien plus complexe traditionnellement le Moyen Âge est une période de l'histoire européenne qui s'étend de 476 date de la chute de l'empire romain d'occident à 1453 date de la prise de Constantinople

le moyen âge raconte moi l'histoire - Jan 11 2023

Frédégonde serial killer du Moyen Âge Brunehilde elle épouse son neveu le roi Dagobert le pouvoir les femmes et l'Église une bataille un coût et au lit l'histoire de Louis XI Jeanne de France le fabuleux destin d'une moche boiteuse et fille de roi c'est pas toujours facile d'avoir une maîtresse l'histoire de Louis XI

[histoire économique et populaire du moyen âge les jetons](#) - Jan 31 2022

jun 27 2023 économique et sociale bilan économique et social du front populaire l'histoire fr histoire économique et populaire du moyen âge la révolution économique et sociale de la France depuis 1945 position histoire la croissance économique mondiale de fr histoire économique et populaire du moyen âge 21 cours histoire d'économie en pdf

histoire économique et populaire du moyen âge - Jun 04 2022

2 histoire économique et populaire du moyen âge 2022 01 09 Equality Freedom Papers sets the saga of Rosalie and her descendants against the background of three great antiracist struggles of the nineteenth century the Haitian Revolution the French Revolution of 1848 and the Civil War and Reconstruction in the United States

histoire économique et populaire du moyen âge les jetons - Jun 16 2023

histoire conomique et sociale de histoire conomique et populaire du moyen age les histoire physique acconomique et politique du paraguay et des etude misre dans la pense conomique avantages et inconvnients du systme conomique capitaliste bilan conomique et social du front populaire lhistoire fr histoire la politique conomique du front

histoire a c conomique et populaire du moyen age pdf - Jul 05 2022

sep 5 2023 histoire a c conomique et populaire du moyen age 2 5 downloaded from uniport edu ng on september 5 2023 by guest dictionnaire de l économie politique charles coquelin 1853 annuaire de l economie politique et de la statistique 1867 histoire économique de la france au xxe siècle albert broder 1998 ce livre qui se veut autant ouvrage

histoire a c conomique et populaire du moyen age copy - Oct 08 2022

histoire a c conomique et populaire du moyen age downloaded from georgiacollegesurvey gcsu edu by guest yosef anastasia the archaeology of post medieval religion cambridge university press the academy is a prestigious international institution for the study and teaching of public and private international law and related subjects

histoire a c conomique et populaire du moyen age - Nov 09 2022

moyen age du message d eternité du temps de la loi des prophètes et des apôtres de la grande construction théologico philosophique des ive et ve siècles un systèe original qui a duré un bon demi millénaire et qui achève de se défaire sous nos yeux

the 10 best bath bombs of 2023 bath bombs with rave - Apr 11 2023

web apr 26 2019 life flower cbd bath bomb 18 shop it made with 500mg of pure hemp derived cbd extract this bath bomb will bring a strong sense of relaxation it s supercharged with crystals and essential

bath bombs best beginner to advanced bath bombs r pdf - Jan 28 2022

web here is a preview of what you ll learn things you need to know before using a bath bomb how good and suitable bath bombs really are for your skin some important points to note down about bath bombs the best and luxurious homemade recipes suitable for you you must know how to use a bath bomb carefully how to make bath bombs

bath bombs best beginner to advanced bath bombs recipe - Jun 01 2022

web bath bombs best beginner to advanced bath bombs recipe book after a long day at work there s bath bombs best beginner to advanced bath bombs recipe book diy bath bombs how to make bath bombs make your own bath bombs by julia lambert goodreads

bath bombs best beginner to advanced bath bombs recipe - Oct 05 2022

web may 9 2017 bath bombs best beginner to advanced bath bombs recipe book kindle edition by lambert julia download it once and read it on your kindle device pc phones or tablets use features like bookmarks note taking and highlighting while reading bath bombs best beginner to advanced bath bombs recipe book

[the 14 best bath bombs 2023 best bubble bath products harper s bazaar](#) - Jul 14 2023

web aug 4 2022 ouai chill pills bath bombs 30 at ulta beauty 30 at net a porter 219 at sephora save your sanity with these bath bombs shaped like pills which moisturize skin thanks to a blend of safflower

[best beginner to advanced bath bombs recipe book amazon ca](#) - Nov 06 2022

web may 10 2017 bath bombs best beginner to advanced bath bombs recipe book diy bath bombs how to make bath bombs make your own bath bombs lambert julia 9781546606093 books amazon ca books health fitness dieting personal health kindle edition 0 00 or 4 09 paperback 11 72 other new and collectible from

[how to make bath bombs for beginners bathtubber](#) - Sep 04 2022

web dec 8 2019 beginner bath bombs with a twist congratulations if you ve mastered the basic bath bomb recipe for beginners you re ready to learn how to add your own personality and creativity to the process sounds fun right it is

the 12 best bath bombs of 2022 for a relaxing night in purewow - Jan 08 2023

web nov 22 2022 best bath bombs for sensitive skin nature s beauty oatmeal bath bombs best organic bath bombs beauty by earth bath bombs best handmade bath bombs handmade organic bath bombs best therapeutic bath bombs cosset apocalypse bath bombs best bath bombs for allergies rejuvelle all natural

[diy bath bombs for beginners bramble berry diy kits](#) - Feb 26 2022

web mar 16 2023 my first time making bath bombs and now i am obsessed bramble berry made the process super easy with their new diy kits for beginners there are over 5

[17 best bath bomb recipes 2023 diy craft club](#) - Jul 02 2022

web here are the best bath bomb recipes to make bath bombs at home bath bombs are one of those bath time treats that people are crazy over and it s super fun and easy to make your own bath bombs

the 16 best bath bombs byrdie - Jun 13 2023

web nov 10 2022 aromatherapy effervescent cleansing and soft supple skin sign us up when browsing options you ll see that bath bombs come in various sizes quantities colors shapes and scents and like all other beauty categories there s a wide spectrum of price points and tiers ranging from everyday bombs to giftable sets to premium soaks

best bath bomb 2023 our top picks for a superior soak - May 12 2023

web jul 26 2023 best bath bomb at a glance best bath bomb for nourishing your skin ouai chill pills best bath bomb for cleaning your skin westlab cleansing himalayan salt bath fizzer

[bath bombs best beginner to advanced bath bombs r pdf](#) - Dec 27 2021

web bath bombs best beginner to advanced bath bombs r pdf introduction bath bombs best beginner to advanced bath bombs r pdf download only fun in the tub amanda gail aaron 2019 05 14 do you adore a nice soak in the tub with a little aromatic

fizzing or bubbling action discover how to make fun and

[bath bombs best beginner to advanced bath bombs recipe book](#) - Mar 10 2023

web may 9 2017 bath bombs best beginner to advanced bath bombs recipe book ebook lambert julia amazon co uk kindle store

bath bombs best beginner to advanced bath bombs recipe book - Apr 30 2022

web bath bombs best beginner to advanced bath bombs recipe book ebook lambert julia amazon com au kindle store

10 best bath bombs 2021 from lush to cbd prevention - Feb 09 2023

web oct 19 2021 1 best gift set lifearound2angels bath bombs gift set of 12 now 27 off 27 at amazon what began as a little online store has since flourished into one of the most exciting new bath bomb

bath bombs best beginner to advanced bath bombs recipe book diy bath - Aug 03 2022

web may 10 2017 buy bath bombs best beginner to advanced bath bombs recipe book diy bath bombs how to make bath bombs make your own bath bombs natural remedies stress relief by lambert julia isbn 9781546606093 from amazon s book store everyday low prices and free delivery on eligible orders

bath bombs best beginner to advanced bath bombs recipe book diy bath - Aug 15 2023

web bath bombs best beginner to advanced bath bombs recipe book diy bath bombs how to make bath bombs make your own bath bombs natural remedies stress relief lambert julia amazon com tr kitap

[bath bombs best beginner to advanced bath bombs recipe book diy bath](#) - Dec 07 2022

web may 10 2017 bath bombs best beginner to advanced bath bombs recipe book diy bath bombs how to make bath bombs make your own bath bombs natural remedies stress relief lambert julia on amazon com

6 essential tips for making bath bombs lessons from a beginner - Mar 30 2022

web aug 12 2021 making bath bombs is a worthwhile adventure in crafting for self care gift giving avoid common pitfalls with these beginner lessons 6 essential tips for making bath bombs lessons from a beginner rootsy network